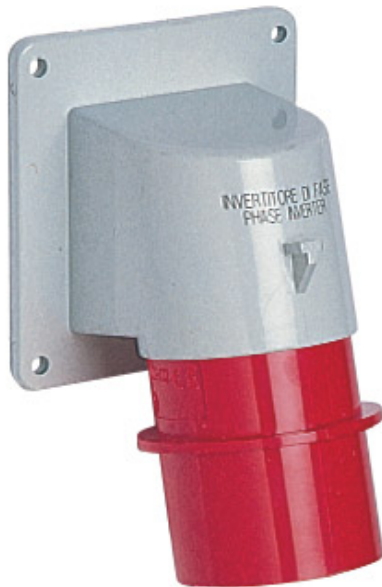


Part number

SIP 3265 SI



Flush-mounting plug, PLUSO series, 3 poles + N + PE, 6 h (red), 32 A, 200/346 ÷ 240/415 V, with phase inverter

Product description		Material properties	
Product type	Plug Flush-mounting	Colour	RAL 7035 grey, RAL 3000 red
Series	SIP...SI, PLUSO	RoHs conformity	Compliant with exemption 6(c): copper alloy containing up to 4% lead by weight
Connection type	Screw terminal connection	China RoHs - EFUP	50
N. of poles	3 poles + N +	REACH SVHC substances	Yes Lead
Clock position	6	SCIP number	Ca7de37f-add8-4b77-9861-279c94903ade
Specification	With phase inverter	Approvals / Standards	
Technical data		Reference standard	EN 60309-1 and -2
Current	32 A	General ordering information	
Voltage	200/346 ÷ 240/415 V	EAN13 code	8015747083911
IP degree of protection	IP44	Packaging Information	
Further technical details		Packaging length	355,00 mm
Weight	270,50 g	Packaging height	195,00 mm
Operating temperature range (min, max)	-25°C ... +40°C	Packaging width	325,00 mm
		Packaging weight	3,22 kg
		Packaging volume	22,50 dm ³
		Packaging description	Carton box
		Packaging quantity	10 Pcs
		Packaging EAN code	8015747083928

Part number

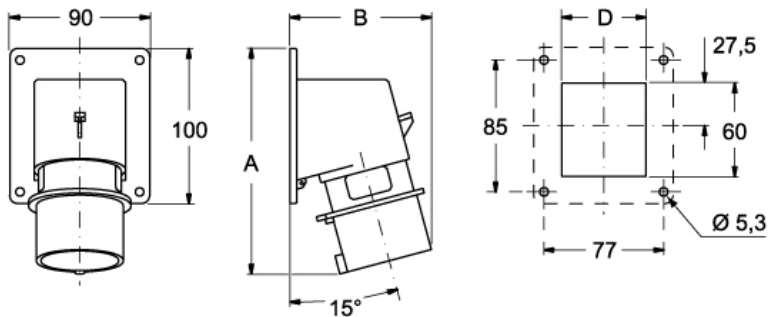
SIP 3265 SI



Catalogue drawings

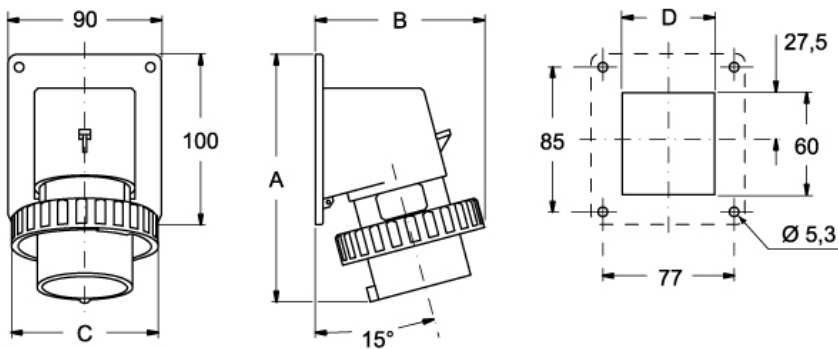
Catalogue drawings

SIP ... SI



	A	B	C
16A	146	93	54
32A	160	106	62

SIPW ... SI



	A	B	C	D
16A	146	99	86	54
32A	160	113	100	62

Notes

Dimensions shown in mm are not binding and may be changed without notice.

- Compliant with EN 60309-1 and -2
- Enclosure and insert in insulating, thermoplastic and self-extinguishing material
- SIP... types (IP44), red enclosure (colour coded according to the operating voltage), entry with threaded grommet

- SIP...SV types (IP44), entry with cable gland colour coded according to the operating voltage, RAL 7035 grey colour enclosure
- SIPW... types (IP67), RAL 7035 grey enclosure, red bayonet ring (colour coded according to the operating voltage), entry with cable gland
- SIPW...SV types (IP66/IP67), entry with cable gland colour coded according to the operating voltage, RAL 7035 grey enclosure, locking ring and gasket, colour coded according to the operating voltage, earth contact position different from h 6 on request
- Built-in phase inverter device, operated by means of a

screwdriver

- Terminals with retained screws
 - SIP/SIPW...SM/SI types: nickel-plated contacts on request
 - SIPW...SV HEAVY DUTY types: nickel-plated contacts on request
-