



Product designation				Power contactor
Product type designation				BF26
<b>Contact characteristics</b>				
Number of poles	Nr.			4
Rated insulation voltage U <sub>i</sub> IEC/EN	V			690
Rated impulse withstand voltage U <sub>imp</sub>	kV			6
Operational frequency	min	Hz	25	
	max	Hz	400	
IEC Conventional free air thermal current I <sub>th</sub>	A			45
Operational current I <sub>e</sub>	AC-1 (≤40°C)	A	45	
	AC-1 (≤55°C)	A	36	
	AC-1 (≤70°C)	A	32	
	AC-3 (≤440V ≤55°C)	A	26	
	AC-4 (400V)	A	11.5	
Rated operational power AC-1 (T≤40°C)	230V	kW	17	
	400V	kW	30	
	500V	kW	37	
	690V	kW	51	
IEC max current I <sub>e</sub> in DC1 with L/R ≤ 1ms with 1 poles in series	≤24V	A	25	
	48V	A	21	
	75V	A	18	
	110V	A	6	
	220V	A	–	
IEC max current I <sub>e</sub> in DC1 with L/R ≤ 1ms with 2 poles in series	≤24V	A	28	
	48V	A	28	
	75V	A	25	
	110V	A	22	
	220V	A	2	
IEC max current I <sub>e</sub> in DC1 with L/R ≤ 1ms with 3 poles in series	≤24V	A	28	
	48V	A	28	
	75V	A	25	
	110V	A	24	
	220V	A	20	
IEC max current I <sub>e</sub> in DC1 with L/R ≤ 1ms with 4 poles in series	≤24V	A	28	
	48V	A	28	
	75V	A	25	
	110V	A	24	
	220V	A	26	

IEC max current I<sub>e</sub> in DC3-DC5 with L/R ≤ 15ms with 1 poles in series

≤24V	A	18
48V	A	15
75V	A	13
110V	A	2
220V	A	–

IEC max current I<sub>e</sub> in DC3-DC5 with L/R ≤ 15ms with 2 poles in series

≤24V	A	20
48V	A	20
75V	A	18
110V	A	13
220V	A	3

IEC max current I<sub>e</sub> in DC3-DC5 with L/R ≤ 15ms with 3 poles in series

≤24V	A	25
48V	A	25
75V	A	20
110V	A	18
220V	A	19

IEC max current I<sub>e</sub> in DC3-DC5 with L/R ≤ 15ms with 4 poles in series

≤24V	A	30
48V	A	30
75V	A	25
110V	A	20
220V	A	15

Short-time allowable current for 10s (IEC/EN60947-1)

A	210
---	-----

Protection fuse

gG (IEC)	A	50
aM (IEC)	A	32

Making capacity (RMS value)

A	260
---	-----

Breaking capacity at voltage

440V	A	208
500V	A	184
690V	A	168

Resistance per pole (average value)

mΩ	2
----	---

Power dissipation per pole (average value)

I <sub>th</sub>	W	4
AC-3	W	1.4

Tightening torque for terminals

min	Nm	2.5
max	Nm	3
min	I <sub>bin</sub>	1.8
max	I <sub>bin</sub>	2.2

Tightening torque for coil terminal

min	Nm	0.8
max	Nm	1
min	I <sub>bin</sub>	0.8
max	I <sub>bin</sub>	0.74

Max number of wires simultaneously connectable

Nr.	2
-----	---

Conductor section

AWG/Kcmil

max	6
-----	---

Flexible w/o lug conductor section

min	mm <sup>2</sup>	2.5
-----	-----------------	-----

		max	mm <sup>2</sup>	16
Flexible c/w lug conductor section		min	mm <sup>2</sup>	1
		max	mm <sup>2</sup>	10
Flexible with insulated spade lug conductor section		min	mm <sup>2</sup>	1
		max	mm <sup>2</sup>	10
Power terminal protection according to IEC/EN 60529				IP20 when properly wired
<b>Mechanical features</b>				
Operating position		normal allowable		Vertical plan ±30°
Fixing				Screw / DIN rail 35mm
Weight			g	502
Conductor section	AWG/kcmil conductor section	max		6
<b>Operations</b>				
Mechanical life			cycles	20000000
Electrical life			cycles	1600000
<b>Safety related data</b>				
Performance level B10d according to EN/ISO 13489-1		rated load mechanical load	cycles	1600000
			cycles	20000000
Mirror contacts according to IEC/EN 60947-4-1				yes
EMC compatibility				yes
<b>AC coil operating</b>				
Rated AC voltage at 60Hz			V	120
AC operating voltage	of 60Hz coil powered at 60Hz			
	pick-up	min	%Us	80
		max	%Us	110
	drop-out	min	%Us	20
		max	%Us	55
AC average coil consumption at 20°C	of 60Hz coil powered at 60Hz	in-rush holding	VA	75
			VA	9
Dissipation at holding ≤20°C 50Hz			W	2.5
<b>Max cycles frequency</b>				
Mechanical operation			cycles/h	3600
<b>Operating times</b>				
Average time for Us control	in AC			
	Closing NO	min	ms	8
		max	ms	24
	Opening NO	min	ms	5
		max	ms	15

Closing NC	min	ms	9
	max	ms	20
Opening NC	min	ms	9
	max	ms	17

**UL technical data**

Full-load current (FLA) for three-phase AC motor

at 480V	A	21
at 600V	A	22

Yielded mechanical performance

for single-phase AC motor

110/120V	HP	2
230V	HP	5

for three-phase AC motor

200/208V	HP	7.5
220/230V	HP	7.5
460/480V	HP	15
575/600V	HP	20

General USE

Contactor

AC current	A	45
------------	---	----

Short-circuit protection fuse, 600V

High fault

Short circuit current	kA	100
Fuse rating	A	100
Fuse class		J

Standard fault

Short circuit current	kA	5
Fuse rating	A	100

**Ambient conditions**

Temperature

Operating temperature

min	°C	-50
max	°C	70

Storage temperature

min	°C	-60
max	°C	80

Max altitude

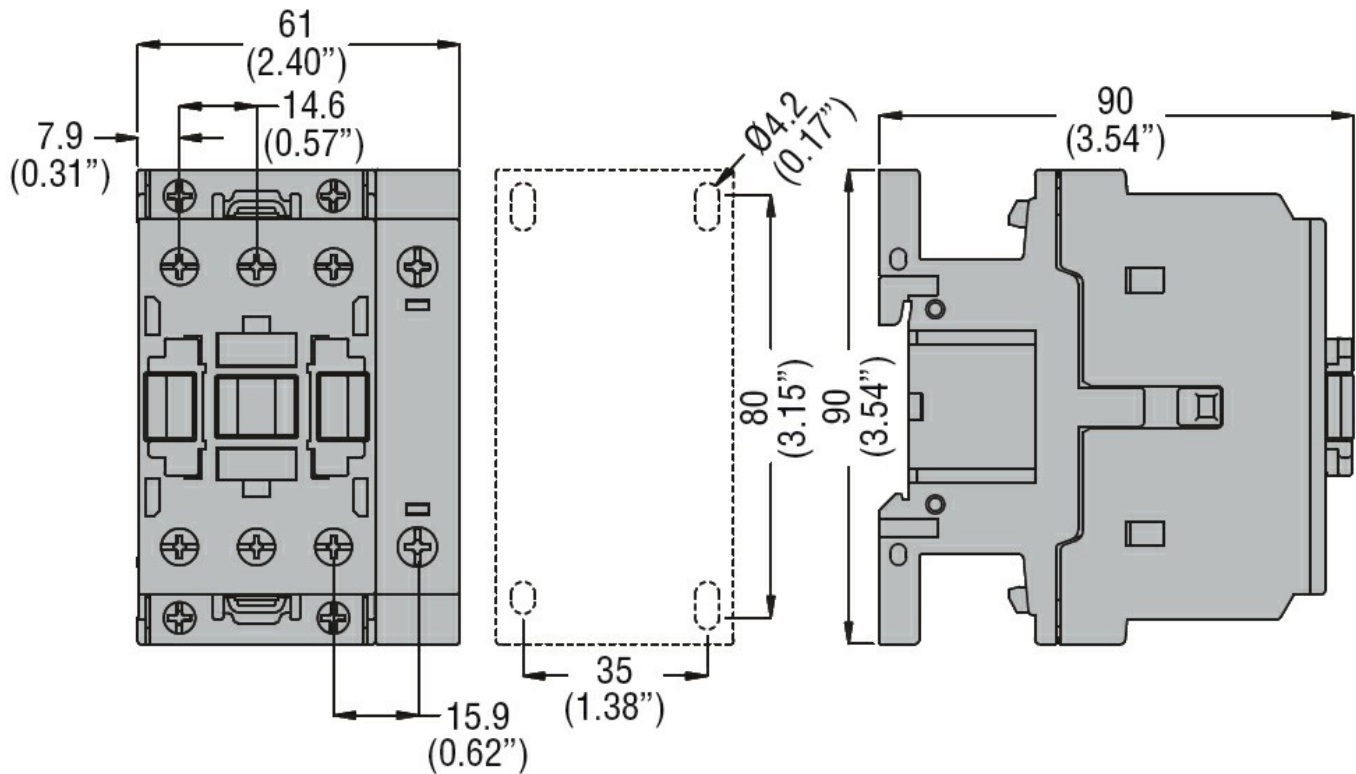
m	3000
---	------

**Resistance & Protection**

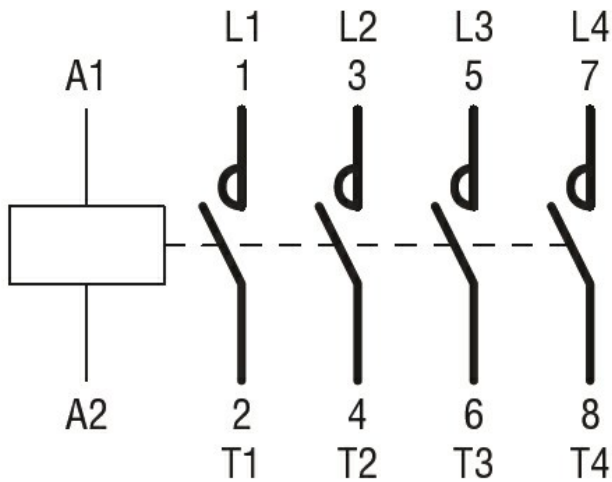
Pollution degree

3

**Dimensions**



**Wiring diagrams**



**Certifications and compliance**

Compliance

- CSA C22.2 n° 60947-1
- CSA C22.2 n° 60947-4-1
- IEC/EN/BS 60947-1
- IEC/EN/BS 60947-4-1
- UL 60947-1
- UL 60947-4-1

Certificates

- CCC
- cULus
- EAC

**ETIM classification**

ETIM 8.0

EC000066 -  
Power contactor,  
AC switching