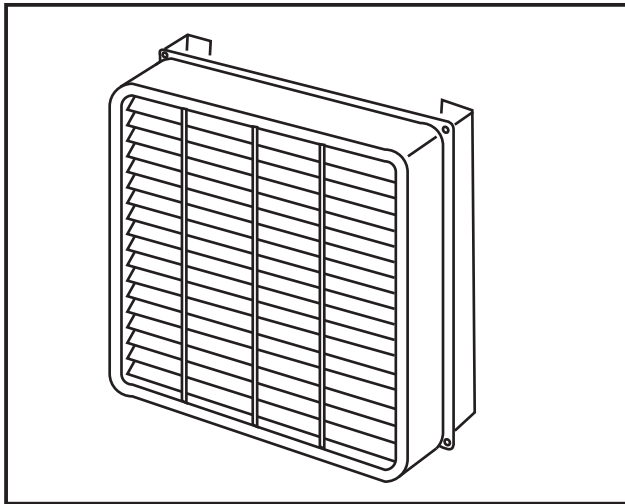
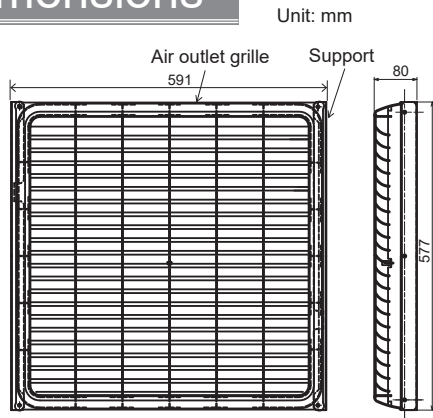


Figure

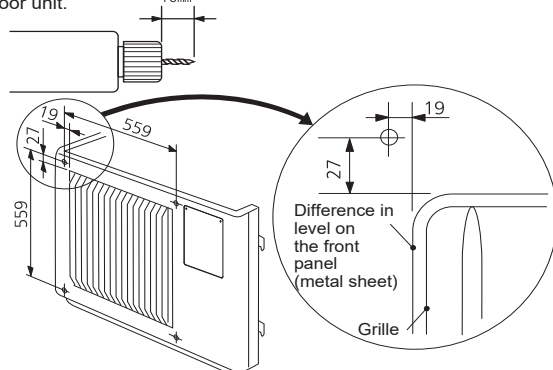


Dimensions

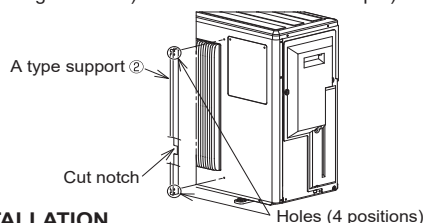


How to Use / How to Install

- 1) • Drill $\varnothing 4.0$ mm screw holes in the front panel at the 4 locations shown below.
• The length of the drill bit should be about 10 mm as shown in the figure below. If the drill bit is too long, it may damage the parts inside the outdoor unit.



- 2) Fix A type supports ② by tightening the screws M5×10④ (2 each for the right and left) into the holes drilled in step 1).



AFTER INSTALLATION

NOTE: Make sure that A type supports, B type supports, and air outlet guide are fixed with screws securely.

Descriptions

The air outlet guide changes the direction of air from the outdoor unit and prevents short cycling.

Applicable Models

- MXZ-3E54VA ■ MXZ-4E72VA ■ MXZ-3F54VF3
- MXZ-3E68VA ■ MXZ-3DM50VA ■ MXZ-3F68VF3
- MXZ-4F72VF3
- MXZ-4F80VF3
- MXZ-3HA50VF

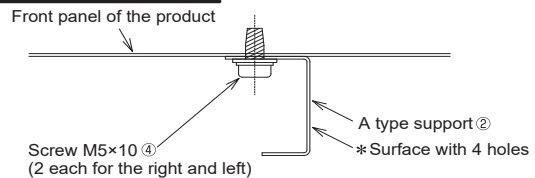
Specifications

Exterior	Color (Munsell)	Ivory (3.0Y7.8/1.1)
	Material	Air outlet grille: PP resin
Air outlet direction		Changeable between up and down
Accessory name × Qty. <Material/Surface treatment>		Support A × 2 (Alloy hot-dip zinc-coated carbon steel sheet / Acrylic resin coating) Support B × 2 (Alloy hot-dip zinc-coated carbon steel sheet / Acrylic resin coating) Screw (5×10) × 14 (Iron/Zinc nickel alloy plated)

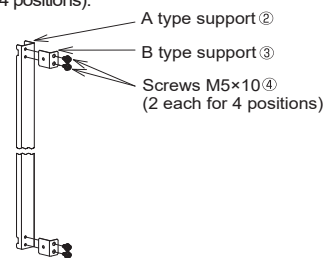
Components

① Air outlet guide x1	② Support A x2	③ Support B x2	④ Screw 5×10 x14

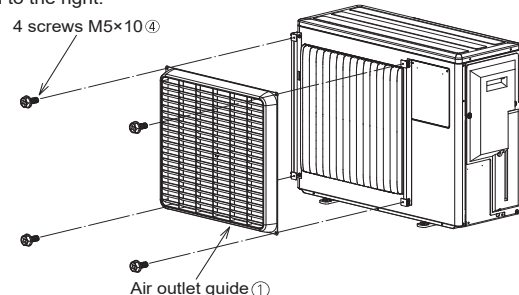
Plan view of the product



- 3) Fix B type supports ③ to A type support ② with the 8 screws M5×10④ (2 each for 4 positions).



- 4) Fix air outlet guide ① to B type supports ③ with 4 screws M5×10④. The air direction can be selected from upwards, to the left, and to the right.



OPTIONAL PARTS

OUTDOOR UNIT