

Part number

# MKA AP20



Angled Bulkhead mounting housing, CKA series, with 1 lever, M20 cable entry, size "21.21", bulkhead hole closed

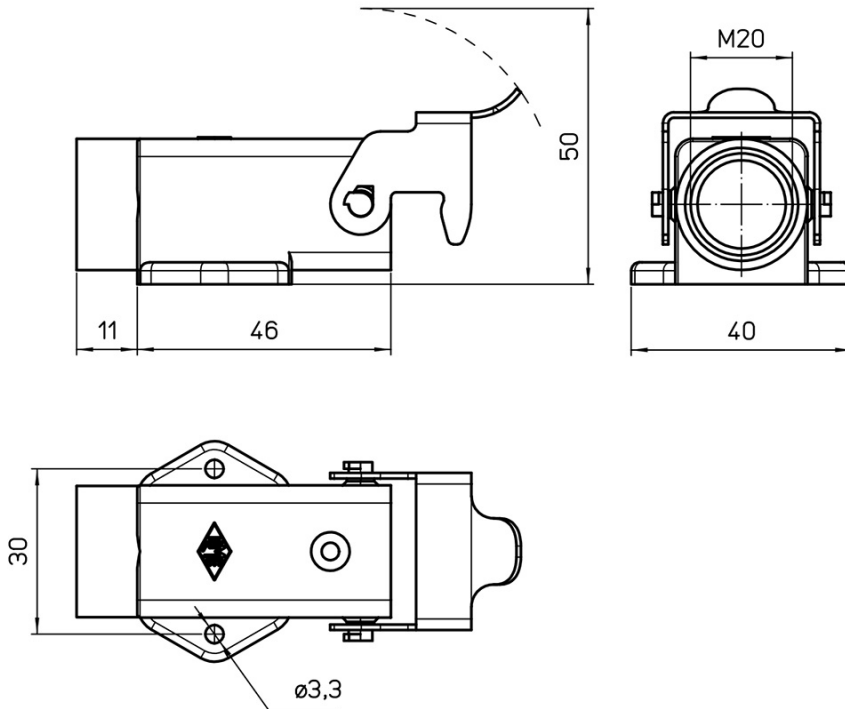
Product description		Material properties	
<b>Product type</b>	Angled bulkhead mounting housing	<b>Main material</b>	Zinc die-cast
<b>Series</b>	CKA	<b>Other materials</b>	Lever: Galvanized steel
<b>Closing type</b>	With 1 lever	<b>Colour</b>	RAL 7040 grey
<b>Size</b>	Size "21.21"	<b>RoHs conformity</b>	Compliant
<b>Cable entry</b>	With cable entry M20	<b>China RoHs - EFUP</b>	E
<b>Specification</b>	Bulkhead hole closed	<b>REACH SVHC substances</b>	No
Technical data		Approvals / Standards	
<b>IP degree of protection</b>	IP44 - IP66 / IP67 / IP69 with CKR 65 (D)	<b>UL</b>	ECBT2
<b>Further technical details</b>		<b>cUL</b>	ECBT8
Further technical details		General ordering information	
<b>Weight</b>	67,00 g	<b>EAN13 code</b>	8015747152877
<b>Operating temperature range (min, max)</b>	-40°C...+125°C	<b>eCl@ss 8.1</b>	27440202
		<b>ETIM 7.0</b>	EC000437
		Packaging Information	
		<b>Sub-packaging length</b>	210,00 mm
		<b>Sub-packaging height</b>	40,00 mm
		<b>Sub-packaging width</b>	175,00 mm
		<b>Sub-packaging weight</b>	0,67 kg
		<b>Sub-packaging volume</b>	1,47 dm <sup>3</sup>
		<b>Sub-packaging description</b>	Carton box
		<b>Sub-packaging quantity</b>	10 Pcs
		<b>Sub-packaging EAN barcode</b>	8015747172752

Part number

# MKA AP20



Catalogue drawings



## Notes

Dimensions shown in mm are not binding and may be changed without notice.