



Product designation Electrode holder
Product type designation PS31

Connections

Terminals type Screw

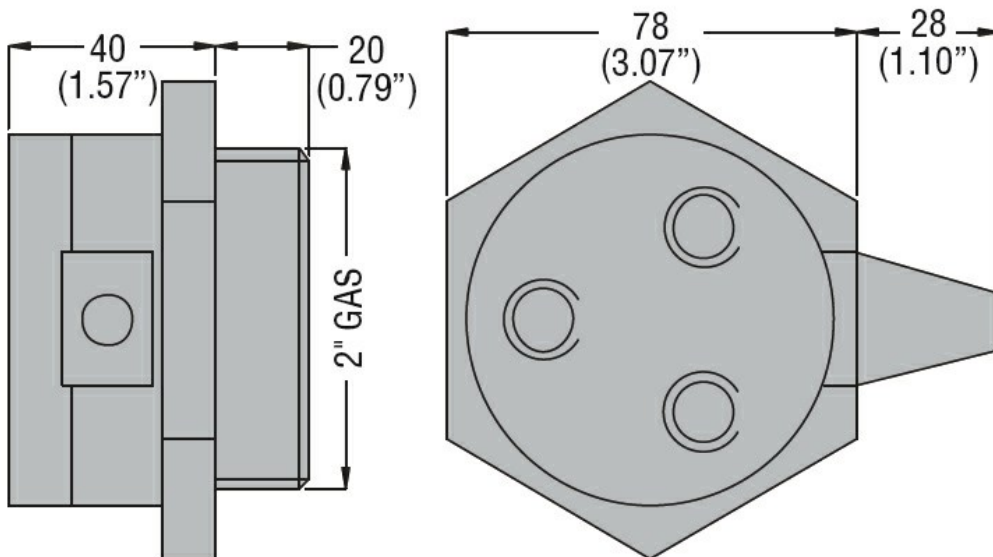
Ambient conditions

Temperature
Operating temperature max °C +100

Housing

Weight g 184

Dimensions



Certifications and compliance

Compliance /

Certificates EAC

ETIM classification

ETIM 8.0 EC010106 - Liquid level sensor