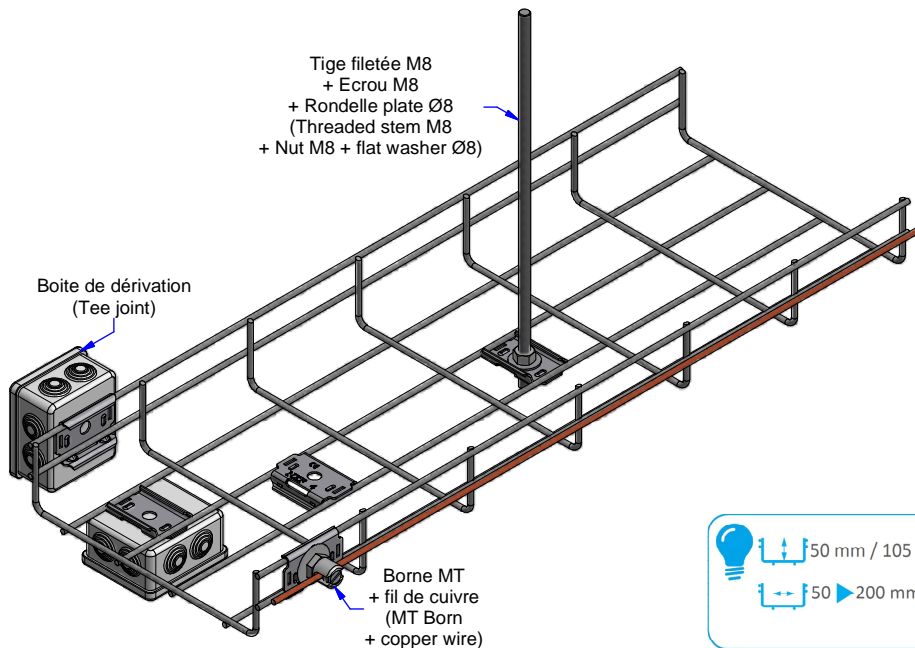


Tige filetée M8  
+ Ecrou M8  
+ Rondelle plate Ø8  
(Threaded stem M8  
+ Nut M8 + flat washer Ø8)

Boîte de dérivation  
(Tee joint)



Borne MT  
+ fil de cuivre  
(MT Born  
+ copper wire)



www.niedaxfrance.fr

Description	Code	Masse/Weight Kg/p	Ep./Th. mm
Clips T25/50 ZM	556129	0,020	1,25

ZM : High performance coated zinc according to NF A 91102  
ZM : Revêtement haute tenue corrosion suivant NF A 91102

T25/50 ZM		CE
ASSISTANCE TECHNIQUE +33 (0)1 55 95 92 17 pole.technique@niedax.fr		
FT02506		