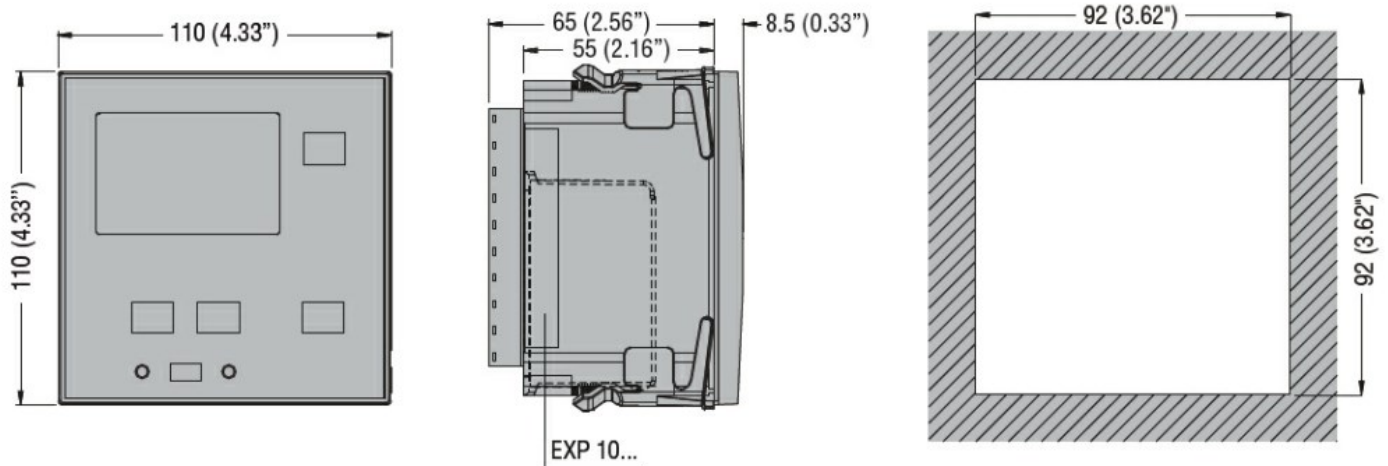
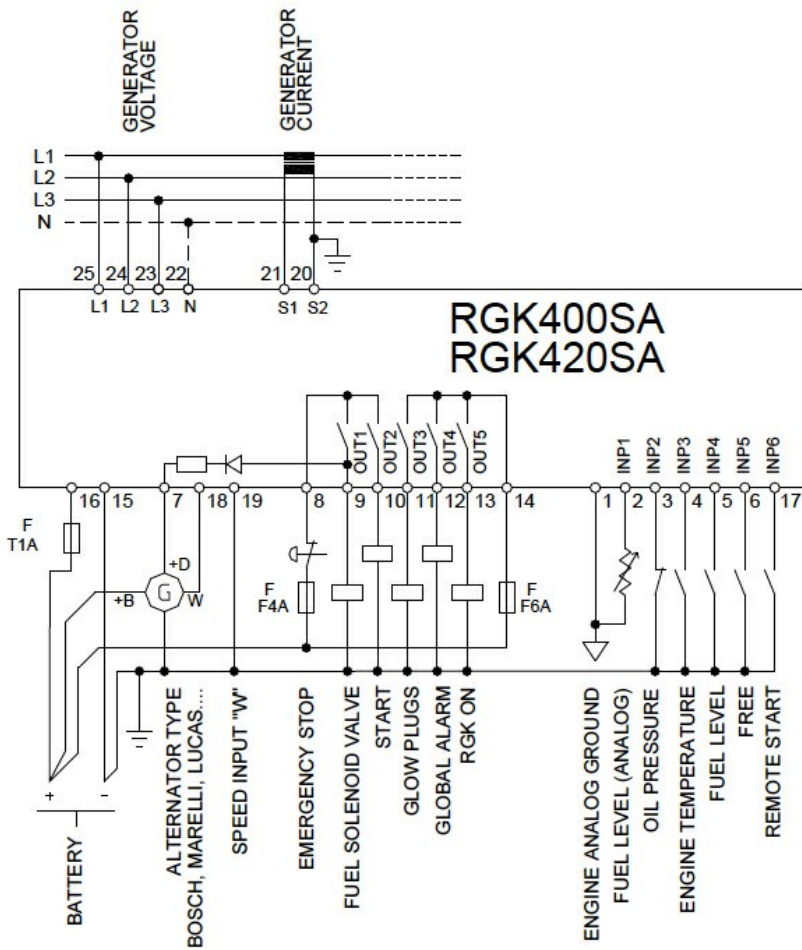




Product designation	Stand alone gen-set controllers		
Product type designation	RGK400SA		
<b>Power supply</b>			
Rated battery voltage	V	12/24VDC	
<b>Digital inputs</b>			
Digital input type	5 neg.+ 1 pos.		
High digital input signal	V	See eBOM	
<b>"W"/AC/PICK-UP speed inputs</b>			
"W"/AC/PICK-UP speed input type	"W" or generator frequency or "Pick-up"		
<b>Voltage inputs</b>			
Rated voltage (Ue)	VAC	100...480	
Measurement range	V	100...480VLL(3PH+N)	
Frequency range	Hz	45...65	
Measurement method	TRMS		
<b>Current inputs</b>			
Rated current (Ie)	A	5A/1A	
Measurement range	0.05...6A or 0.05...1.2A		
Amperometric inputs type	1PH, /5A or /1A		
Measurement method	TRMS		
<b>Static Outputs</b>			
Static output type	5 (SSR)		
Rating	A	2	
Protections	Protected		
<b>Ambient conditions</b>			
Temperature	Operating temperature		
	min	°C	-30
	max	°C	+60
Protection degree	IP40, IP65 with optimal gasket seal		
<b>Dimensions</b>			



**Wiring diagrams**



**Certifications and compliance**

**Compliance**

CSA C22.2-N°14

IEC/EN 61010-1

IEC/EN 61010-2-030

IEC/EN 61326-1

UL508

**Certificates**

EAC

UL Listed for USA and Canada (cULus-File E93601)

**ETIM classification**

ETIM 8.0

EC002758 -  
Energy  
management  
controller