



Top push rod -  
metal plunger.  
Pin  
KSA1

Product designation

Product type designation

**General characteristics**

Material

Housing

Polymer  
thermoplastic

**Contact characteristics**

Type of contact			1NO/NC
Thermal current I <sub>th</sub>		A	15
IEC/EN 60947-5-1 designation			A600 P300
Rated insulation voltage U <sub>i</sub>		V	250
Switching speed	min	m/s	0.01
	max	m/s	1

Operating speed

min	m/s	0.05
max	m/s	1

IEC Conventional free air thermal current I <sub>th</sub>		A	15
Resistance per pole (average value)		mΩ	<15
Conductivity			10mA 5V

**Mechanical features**

Terminals type			Solder
Operating head fixing			Fixed
Operating torque		N	2.5
		ozin	9
Weight		g	31

**Operations**

Mechanical life		cycles	20000000
Electrical life		cycles	500000
Mechanical operation		cycles/h	240

**Ambient conditions**

Temperature

Operating temperature

min	°C	-25
max	°C	+70

Storage temperature

min	°C	-40
max	°C	+70

**Resistance & Protection**

IP degree

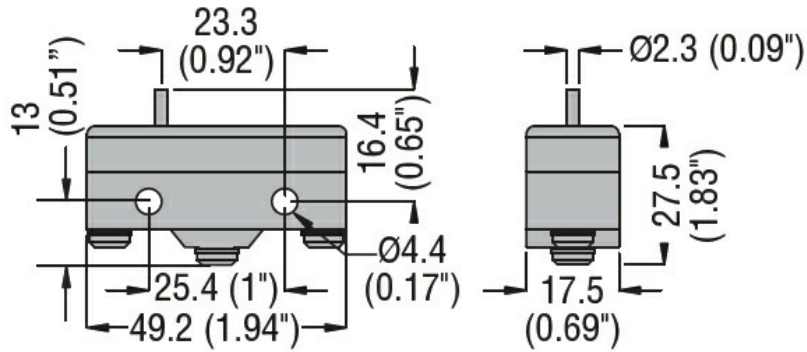
Body housing

IP00 or IP20 with  
terminal shroud

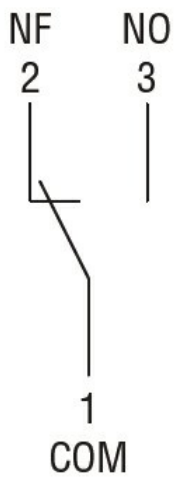
Pollution degree

3

**Dimensions**



**Wiring diagrams**



**Certifications and compliance**

Compliance

CSA C22.2 n° 14.

IEC/EN 60947-1

IEC/EN 60947-5-1

IEC/EN 61058-1

UL508

Certificates

cURus

EAC

**ETIM classification**

ETIM 8.0

EC000030 - End switch