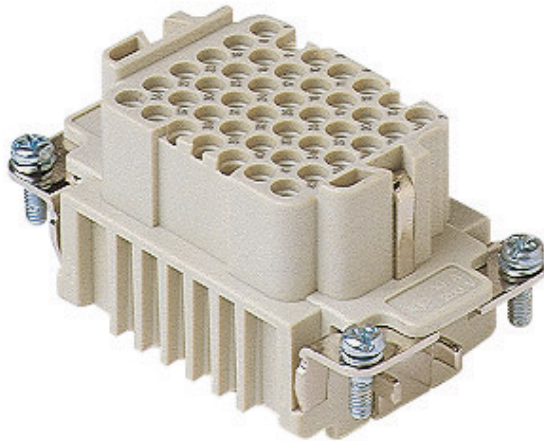



Part number

CDDF 42



Female insert, CDD series, crimp connection, 42 poles + PE, 10 A 250 V 4 kV 2, size "57.27"

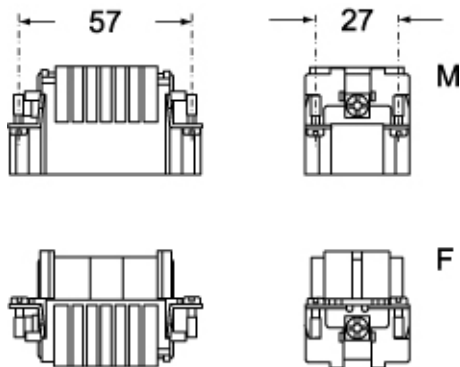
Product description		Material properties	
Product type	Insert	Main material	Polycarbonate (PC)
Series	CDD	Colour	RAL 7032 grey
Connection type	Crimp connection	RoHs conformity	Compliant
Gender	Female	China RoHs - EFUP	E
N. of poles	42 poles + 	REACH SVHC substances	No
Size	Size "57.27"		
Technical data		Approvals / Standards	
Current	10 A	Reference standard	EN 61984:2009-06
Voltage	250 V	Certifications	CSAc, CQC, DNV-GL, BV, EAC
Rated impulse withstand voltage	4 kV	UL	ECBT2
Pollution degree	2	cUL	ECBT8
Rated voltage according to UL/CSA	600 V		
IP degree of protection	IP20 without enclosure, IP65/IP66/IP68/IP69 with enclosure	General ordering information	
		EAN13 code	8015747013772
		eCl@ss 8.1	27440205
		ETIM 7.0	EC000438
Further technical details		Packaging Information	
Characteristics according to EN 61984	10A 250V 4kV 2	Packaging length	210,00 mm
Mating cycles	≥ 500	Packaging height	75,00 mm
Insulation resistance	≥ 10 GΩ	Packaging width	180,00 mm
Contact resistance	≤ 3 mΩ	Packaging weight	1,19 kg
Weight	50,00 g	Packaging volume	2,84 dm ³
Operating temperature range (min, max)	-40 °C ... +125 °C	Packaging description	Carton box
UL 94 flammability rating	V-0	Packaging quantity	30 Pcs
Tightening torque for PE connection	M4: 1,2 Nm, 10,6 lb.in (Ph2 or 1,0x5,5mm)	Packaging EAN code	8015747013789
Tightening torque for fixing screws	M3: 0.5 Nm; 4.4 lb.in (Ph1 or 0.8x4 mm)	Sub-packaging length	67,00 mm
		Sub-packaging height	36,00 mm
		Sub-packaging width	180,00 mm
		Sub-packaging weight	0,20 kg
		Sub-packaging volume	0,43 dm ³
		Sub-packaging description	Carton tray
		Sub-packaging quantity	5 Pcs
		Sub-packaging EAN barcode	8015747013796

Part number
CDDF 42

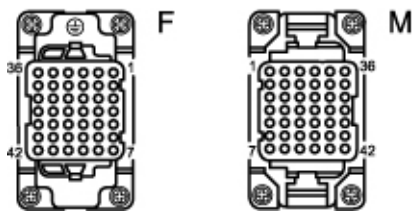


Catalogue drawings

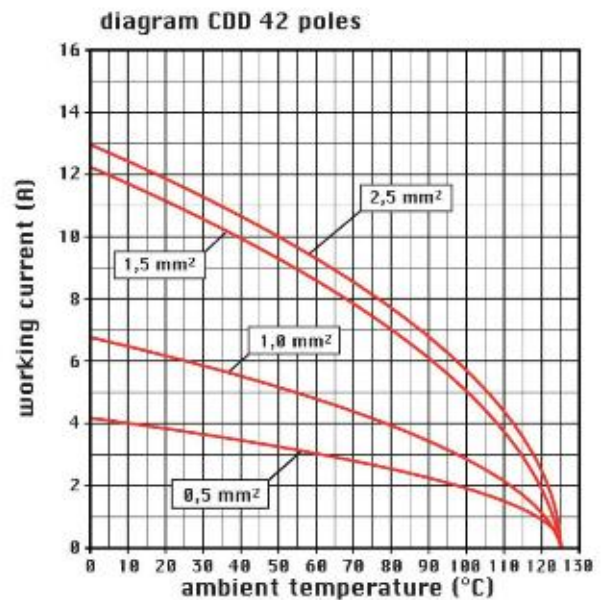
CDDM 42



CDDF 42



Catalogue drawings



Notes

Dimensions shown in mm are not binding and may be changed without notice.

California Proposition 65 Information



WARNING

This product can expose you to nickel compounds, known to the State of California to cause cancer and/or reproductive toxicity. For more information go to www.P65Warnings.ca.gov.