

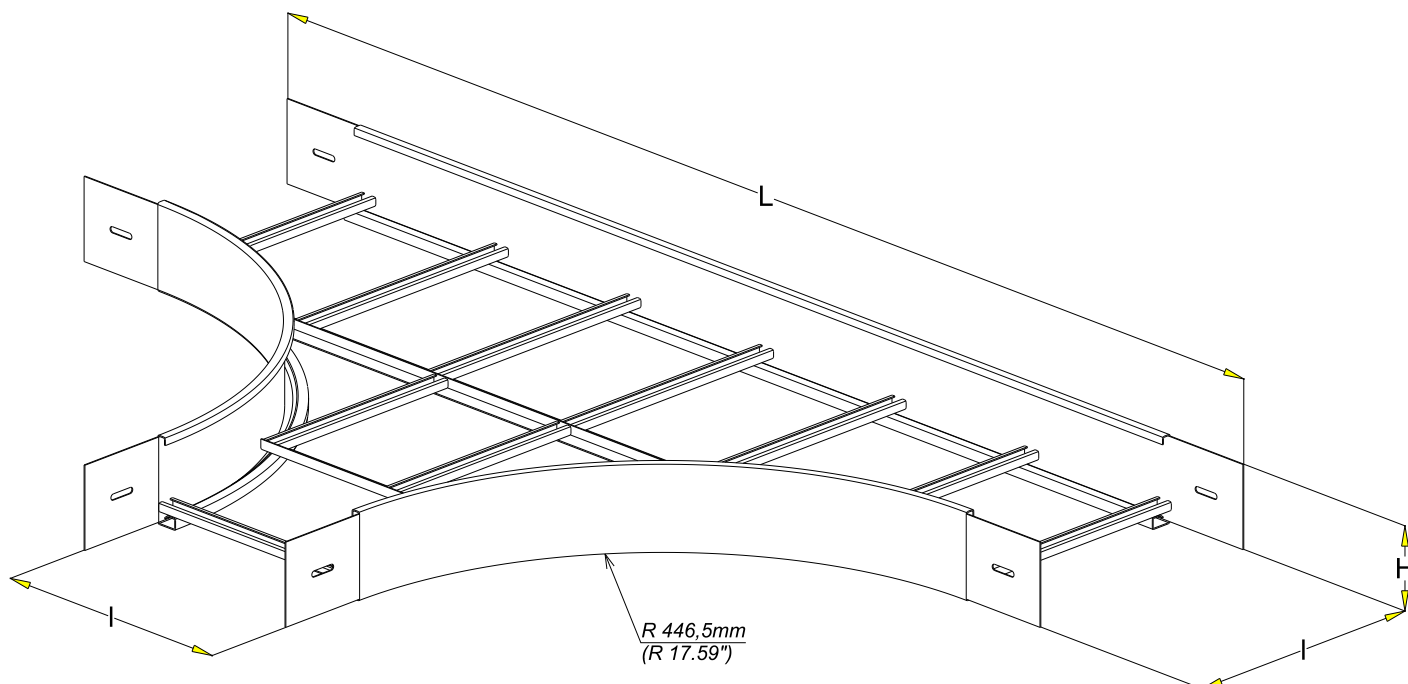
TS GLO 4
TS GLO 4

GC
HDG

legrand® | CABLE
MANAGEMENT

FT0628-3

08 17



Matière / Material	Norme / Standard	Finition / Coating	Classe de résistance contre la corrosion / Resistance class against corrosion
S235 JR	EN 10 025	GC / HDG	Class 6 / CEI 61537

REF	CODE	H _(mm)	H _(inch)	I _(mm)	I _(inch)	L _(mm)	L _(inch)	Poids _(kg)	Weight _(lb)
TS GLO4L60/200 GC	8362432	60	2.36	200	7.88	1300	51.22	5,64	12.49
TS GLO4L60/300 GC	8362433	60	2.36	300	11.82	1400	55.16	6,65	14.72
TS GLO4L60/400 GC	8362434	60	2.36	400	15.76	1500	59.10	7,778	17.22
TS GLO4L60/500 GC	8362435	60	2.36	500	19.70	1600	63.04	8,886	19.67
TS GLO4L60/600 GC	8362436	60	2.36	600	23.64	1700	66.98	10,228	22.65
TS GLO4L100/200 GC	8362532	100	3.94	200	7.88	1300	51.22	6,636	14.69
TS GLO4L100/300 GC	8362533	100	3.94	300	11.82	1400	55.16	7,446	16.49
TS GLO4L100/400 GC	8362534	100	3.94	400	15.76	1500	59.10	8,295	18.37
TS GLO4L100/500 GC	8362535	100	3.94	500	19.70	1600	63.04	9,506	21.05
TS GLO4L100/600 GC	8362536	100	3.94	600	23.64	1700	66.98	10,745	23.79

Propriété exclusive de LEGRAND, ne peut être ni copié, ni transmis à des tiers sans autorisation écrite.

Exclusive property of LEGRAND shouldn't be reproduced or transmitted to any people without written authorization