

Part number

MBO 06 L40



Hood, BIG series, with 2 pegs, M40 side cable entry, size "44.27"

Product description

Product type	Hood
Series	BIG
Closing type	With 2 pegs
Size	Size 44.27
Cable entry	Side cable entry M40

Technical data

IP degree of protection IP66

Further technical details

Weight	400,00 g
Operating temperature range (min, max)	-40°C...+125°C

Material properties

Other materials	Gasket: NBR
Colour	RAL 7040 grey
RoHs conformity	Compliant
China RoHs - EFUP	E
REACH SVHC substances	No

Approvals / Standards

Certifications	DNV, BV
UL	ECBT2
cUL	ECBT8

General ordering information

EAN13 code	8015747187145
eCl@ss 8.1	27440202
ETIM 7.0	EC000437

Packaging Information

Packaging length	180,00 mm
Packaging height	120,00 mm
Packaging width	155,00 mm
Packaging weight	1,62 kg
Packaging volume	3,35 dm ³
Packaging description	Carton box
Packaging quantity	4 Pcs
Packaging EAN code	8015747188722
Sub-packaging weight	0,41 kg
Sub-packaging description	Plastic packaging
Sub-packaging quantity	1 Pcs
Sub-packaging EAN barcode	8015747035828

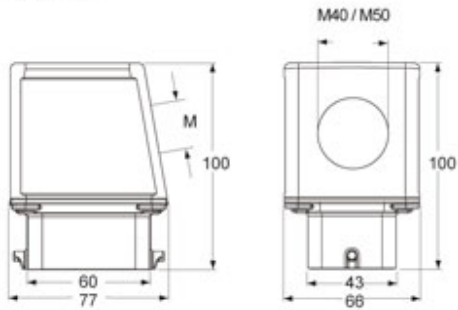
Part number

MBO 06 L40



Catalogue drawings

MBO 06 L



Notes

Dimensions shown in mm are not binding and may be changed without notice.
