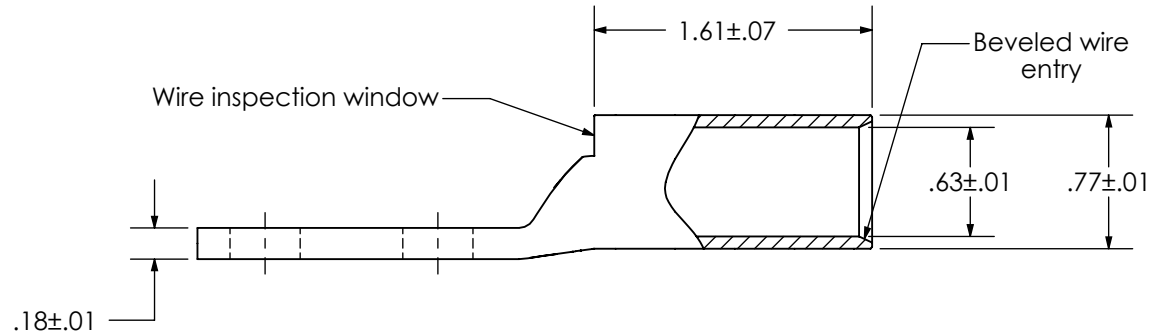
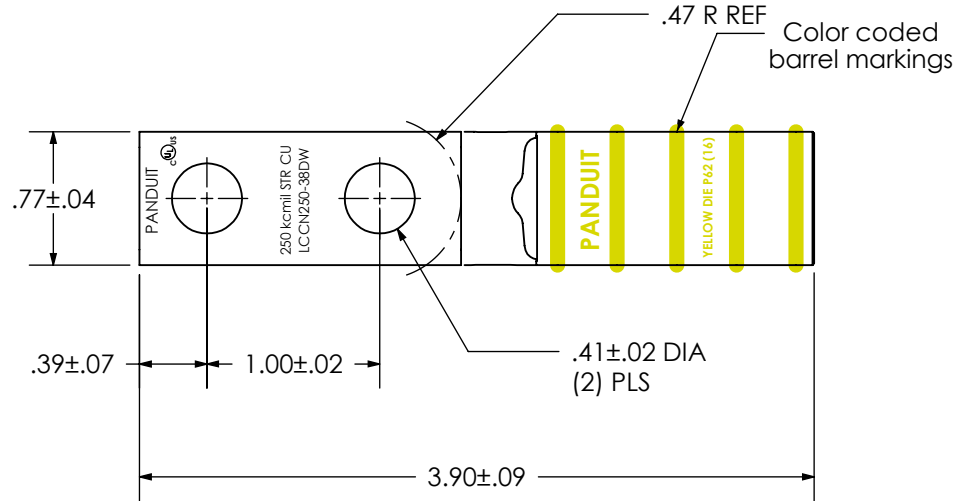


THIS COPY IS PROVIDED ON A RESTRICTED BASIS AND IS NOT TO BE USED IN ANY WAY DETRIMENTAL TO THE INTERESTS OF PANDUIT CORP.

Material	High Conductivity Seamless Copper Tube
Plating	Electro-Tin
Wire Size	250 kcmil STR CU
Wire Type	Stranded Copper; Class B: Compact, Compressed or Concentric
Wire Strip Length	1-11/16 in.
Stud Size	3/8 in.
UL Listed Wire Connector	Yes, for applications up to 35kv. Consult cable manufacturer for voltage stress relief instructions with applications greater than 2000 volts.
UL Temperature Rating	90° C
C.S.A Certified Wire Connector	N/A
Panduit Color Code on Barrel	YELLOW
Panduit Die Index No. on Barrel	P62
Alternate Industry Die Index No. () on Barrel	(16)



00	1/23	JHNU	MDS	MRWA	DRAWING RELEASED	128023
REV	DATE	BY	CHK	APP	DESCRIPTION	ECN

PANDUIT CORP. TINLEY PARK, ILLINOIS

LCCN250-38DW-6
Copper Lug - Narrow Tongue, Two-Hole, Long Barrel

SCALE N/A DRAWING NO / CAD FILE LCCN250-38DW-CUST