



Interface protection system units compliant with G59 (ENA) technical guide PMVF70

Product designation

Product type designation

General characteristics

Description

System with or without neutral in low or high voltage. Dual threshold minimum and maximum voltage and frequency protection. ROCOF and Vector shift

Type of system

Single-phase and three-phase

Power supply

Operating voltage range

85...264VAC / 93.5...300VDC

Rated frequency

Hz 45...55

Control circuit

Rated current (Ie)

A CT /5A /1A

Auxiliary supply

Rated auxiliary supply voltage Us

AC

min VAC 100  
Max VAC 240

DC

min VDC 110  
Max VDC 250

Power consumption

AC (Max)

VA 4.6VA at 110VAC;  
12.5VA at 230VAC

DC (Max)

VA 23mA at 110VDC; 11mA at 250VDC

Power dissipation

AC (Max)

		W	2.5W at 110VAC; 2.7W at 230VAC
DC (Max)		W	2.3W at 110VDC; 2.5W at 250VDC
Immunity time for microbreakings		ms	≤50ms at 100VDC; ≤200ms at 240VDC

### Voltage inputs

Maximum rated operational voltage			400VAC L-L; 230VAC L-N 50Hz
Measurement range		V	20...480VAC L-L; 10...276VAC L-N
Frequency range		Hz	45...55

### Current inputs

Measurement range			For 1A scale: 0.01...1.2A; for 5A scale: 0.01...6A
Measurement method			RMS
Overload peak		A	50A for 1 second
Burden per phase		W	≤0.6W

### Relay outputs

Number of relays		Nr.	2
Contact arrangement			1 changeover contact/SPDT each
Rated operational voltage AC (IEC)		VAC	250
UL/CSA and IEC/EN 60947-5-1 designation			For NO contact: 5A 250VAC AC1/C300; 5A 30VDC For NC contact: 2A 250VAC AC1/C300; 2A 30VDC

### Digital inputs

Number and type of inputs			4 negative (PNP)
Input voltage			12VDC isolated
Input current		mA	7

### Connections

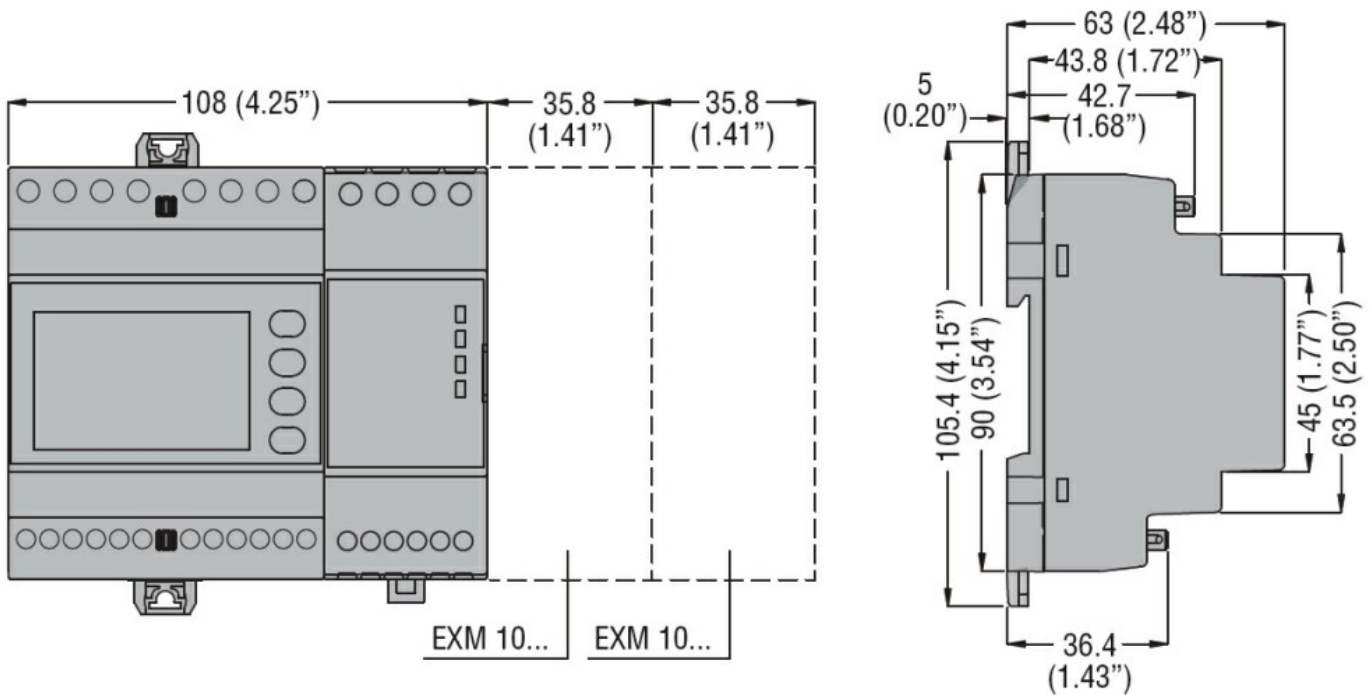
Terminals type			Screw - removable
Tightening torque for terminals		max	Nm 0.8
		max	lbin 4.5
Conductor cross section			
AWG/Kcmil		min	AWG 24
		Max	AWG 12
IEC			

min	mm <sup>2</sup>	0.2
Max	mm <sup>2</sup>	4

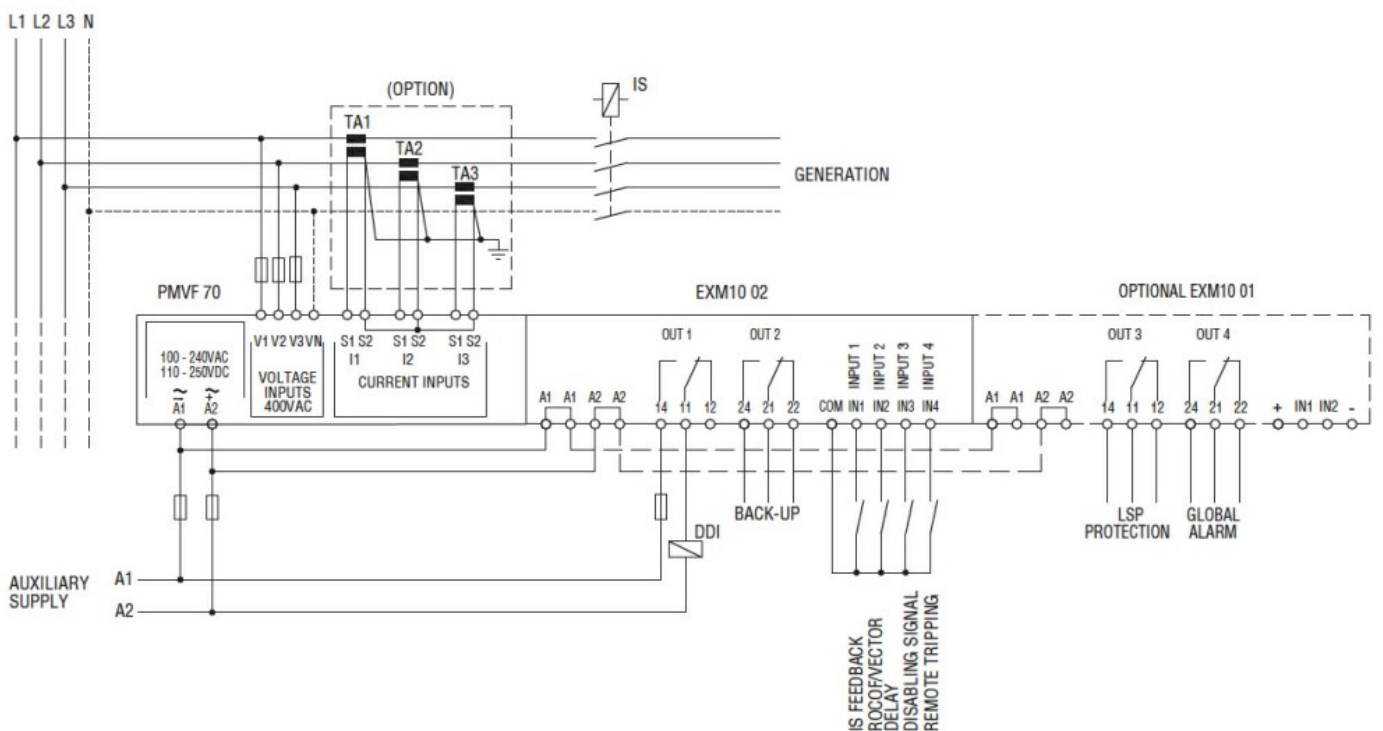
**Housing**

Execution (n° of modules)	6
Material	Polyamide
Mounting	Modular 6U
IEC degree of protection	IP40 on front; IP20 at terminals
Dimensions (W x H x D)	mm 108 x 105.4 x 63
Weight	g 470

**Dimensions**



**Wiring diagrams**



**Certifications and compliance**

Compliance

IEC/EN 61000-6-2

---

IEC/EN 61000-6-4

---

IEC/EN 61010-1

---

Certificates

ENA (Energy Network Association): G59/G99