



11-PIN
INDUSTRIAL
RELAYS
HR703C

Product designation

Product type designation

Contact characteristics

Contact configuration			3 C/O
Rated insulation voltage U_i IEC/EN	V		250
Rated impulse withstand voltage U_{imp}	kV		6
IEC Conventional free air thermal current I_{th}	A		10
Rated current (I_n)	A		10
Relay control voltage	V		110VDC
Rated operating power AC-1		VA	2500

Rated operating power AC-15		230 VAC	VA	500
-----------------------------	--	---------	----	-----

Single-phase motor control		230VAC	kW	1.2
----------------------------	--	--------	----	-----

Rated operating current DC-1		30V	A	10
------------------------------	--	-----	---	----

Minimum switching load			V / mA	5 / 100
------------------------	--	--	--------	---------

Contact impedance			m Ω	100
-------------------	--	--	------------	-----

Contact material				Ag/Ni
------------------	--	--	--	-------

Operating times

Closing			ms	<30
---------	--	--	----	-----

Opening			ms	<30
---------	--	--	----	-----

Operations

Mechanical life			cycles	5000000
-----------------	--	--	--------	---------

Electrical life AC1			cycles	100000
---------------------	--	--	--------	--------

Coil characteristics

Average coil consumption AC at 20°C			VA	3
-------------------------------------	--	--	----	---

Average coil consumption DC at 20°C			W	1.5
-------------------------------------	--	--	---	-----

Operating range	Closing	% U_n		75...110
	Opening	% U_n		10...30

Maximum cycle frequency			cycles/h	3600
-------------------------	--	--	----------	------

Mechanical features

Max socket terminal tightening torque			Nm	0.6
---------------------------------------	--	--	----	-----

Socket screw tightening tool (cross / flat blade)				PH1 / 4.5mm
---	--	--	--	-------------

Conductor section	AWG/Kcmil		min	20
			max	14

IEC		min	mm ²	0.5
		max	mm ²	2.5

Operating position

normal

Any

Fixing

On 35mm DIN rail and with screw

Ambient conditions

Temperature

Operating temperature

min	°C	-40
max	°C	+55

Storage temperature

min	°C	-40
max	°C	+70

Other features

Indication

Yes

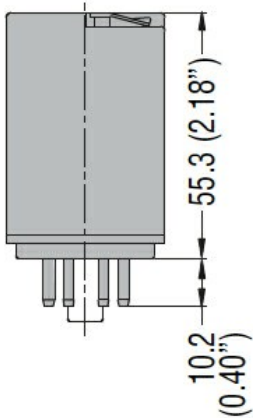
Mechanical contact position indicator

Yes

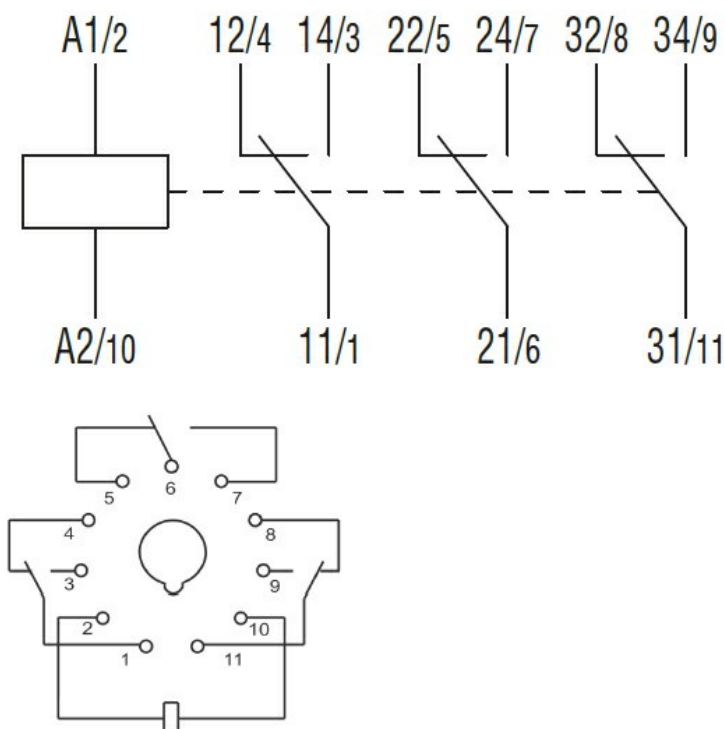
Mechanical test actuator

Yes

Dimensions



Wiring diagrams



Certifications and compliance

Compliance

IEC/EN 61810

Certificates

CSA

cURus

EAC

ETIM classification

ETIM 8.0

EC001437 -
Switching relay