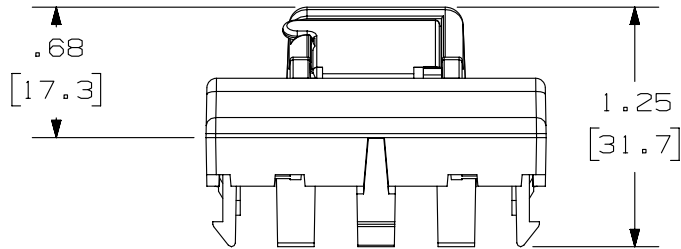
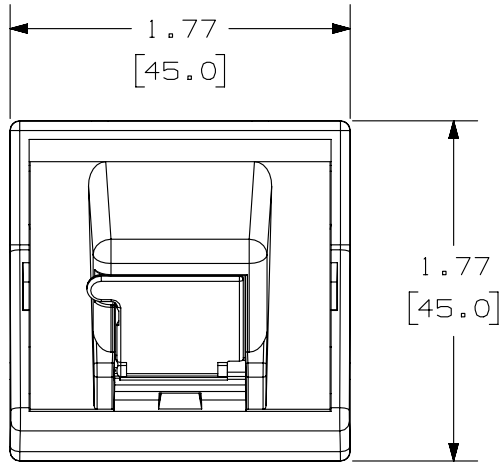


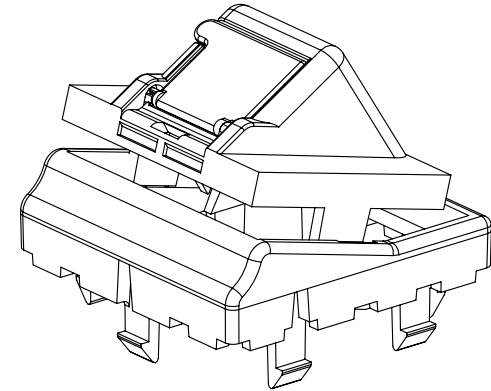
THIS COPY IS PROVIDED ON A RESTRICTED BASIS AND IS NOT TO BE USED IN ANY WAY DETRIMENTAL TO THE INTERESTS OF PANDUIT CORP.



PANDUIT P/N	WEIGHT
CFPFS1S**	.20 LB/10 PCS (92.3g/10 PCS)

NOTES:

- SEE CURRENT CATALOG FOR ADDITIONAL PART NUMBER SUFFIXES TO INDICATE COLOR AND OR PACKAGE QUANTITY.
- SEE CATALOG FOR COMPLETE LIST OF PARTS APPLICABLE FOR USE WITH THIS PART.
- DIMENSIONS IN [ ] ARE IN METRIC.
- PART INCLUDES:  
1- 45 X 45 ADAPTER  
1- 1 POSITION SLOPED SHUTTERED INSERT



PART NUMBER		CFPFS1S**	
TITLE			
MINI-COM 1 POSITION SLOPED SHUTTERED 45mm X 45mm FRENCH ADAPTER KIT			
CUSTOMER DRAWING			
ITEM REVISION NAME		M00762BD/00	
DATASET FILE NAME		M00762BD_DC/00B	
UNLESS OTHERWISE SPECIFIED, DIMENSIONAL TOLERANCES ARE: IN [ mm ]		MATERIAL:	
.x ± .xx ± .03 [ .8 ]		ABS	
.xxx ± .010 [ .3 ]		DRAWING NUMBER:	
ANGLES ±		00762-05	
THIRD ANGLE PROJECTION		SHT 1 OF 1	
DRAWN BY	DATE	CHK	SCALE
JSP	1-10-00	PBD	NONE
REV	DATE	BY	CHK
1	4/7/14	JSP	REFR
R	1-10-00	JSP	PBD
APR		PBD	
DESCRIPTION		ECN	
A. REVISED DRAWING TITLE BLOCK.		00762-05	
RELEASED TO PRODUCTION		00762-05	

D101000DA/14

2

1

2

1