

Presence detector  
353-701121



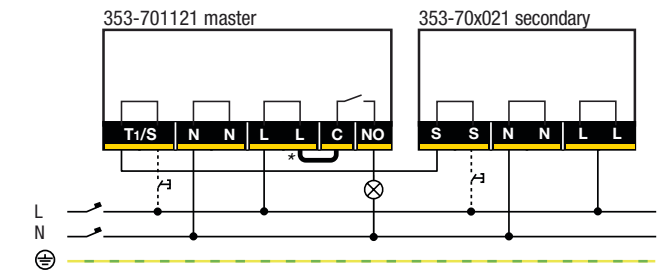
Ø 76 mm

4 year warranty

- EN** Presence detector P42LR, 230 V, master, 32-37 m, 360°, SnapFit, for flush mounting
- NL** Aanwezigheidsmelder P42LR, 230 V, master, 32-37 m, 360°, SnapFit, voor inbouw
- FR** Détecteur de présence P42LR, 230 V, maître, 32-37 m, 360°, SnapFit, à encastrer
- DE** Präsenzmelder P42LR, 230 V, Master, 32-37 m, 360°, SnapFit, für Deckeneinbau
- DK** Tilstedeværelsessensor P42LR, 230 V, master, 32-37 m, 360°, SnapFit, planforsænket
- SE** Närvarosensor P42LR, 230 V, master, 32-37 m, 360°, SnapFit, för infälld montering
- NO** Tilstedeværelsessensor P42LR, 230 V, master, 32-37 m, 360°, SnapFit, til innfelt montering
- IT** Rilevatore di presenza P42LR, 230 V, master, 32-37 m, 360°, SnapFit, per montaggio a incasso
- PL** Czujnik obecności P42LR, 230 V, nadrzędny, 32-37 m, 360°, SnapFit, do montażu podtynkowego
- SK** Detektor prítomnosti P42LR, 230 V, master, 32-37 m, 360°, SnapFit, na zapustenú montáž

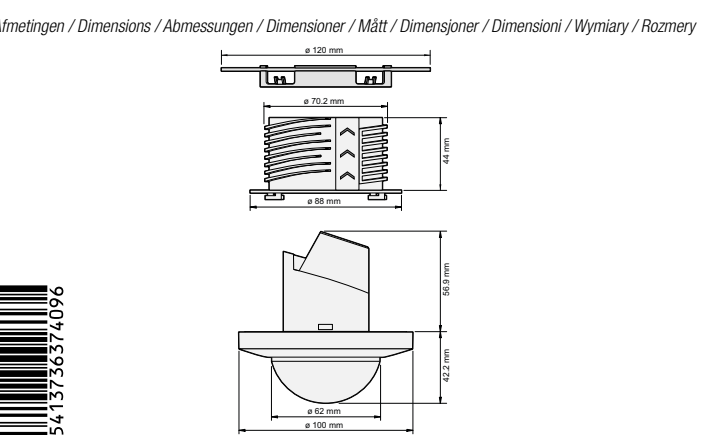
**Wiring** ⚠ 230 V – OFF

Aansluitschema / Schéma de raccordement / Verdrahtung / Tílslutningsskema / Kopplingschema / Ledningstilkopling / Cablaggio / Okablowanie / Instalácia



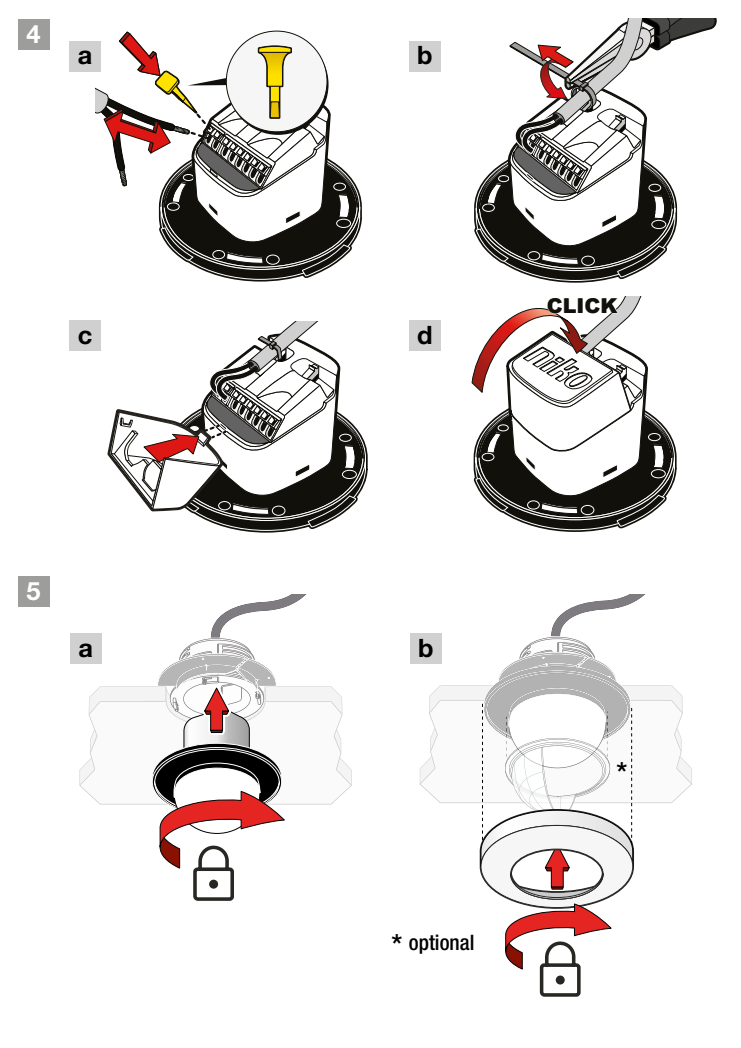
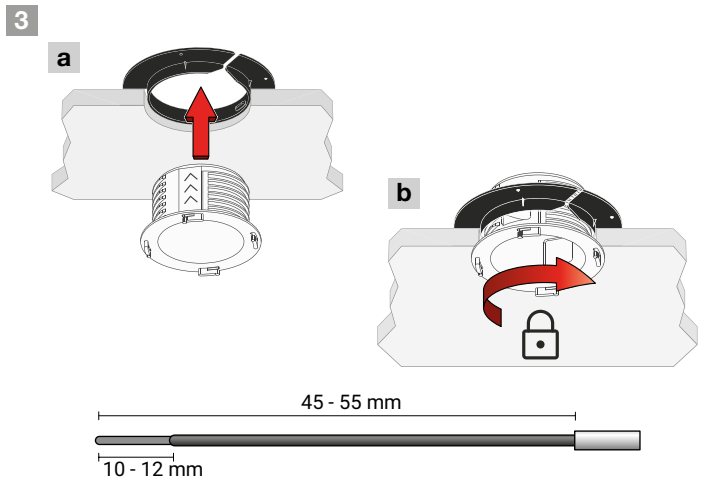
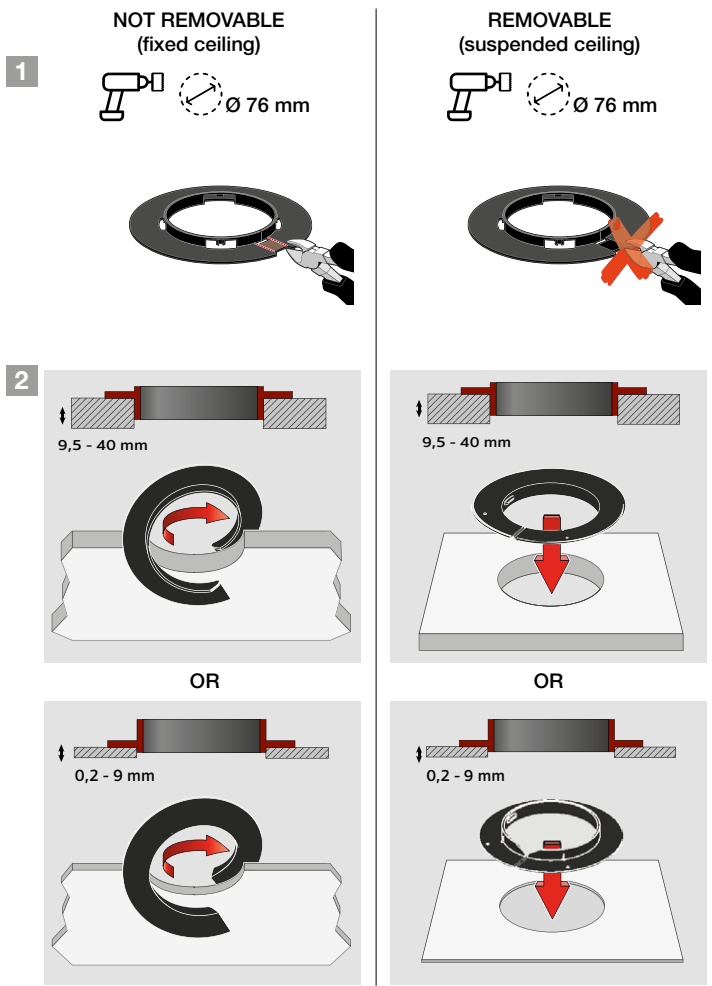
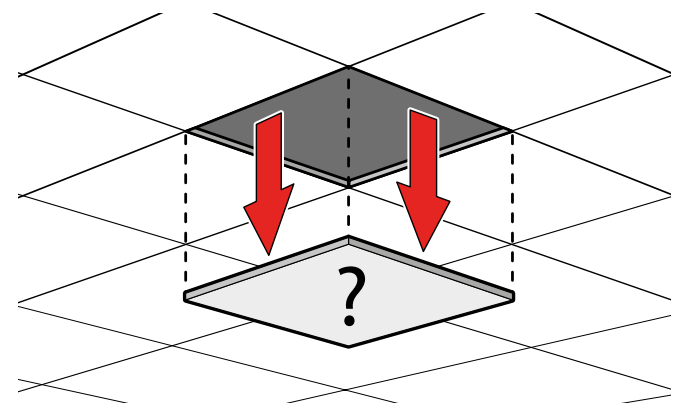
\* Remove if you want to use the contact as a dry contact (potential-free).  
 ⚠ This product must be secured with a miniature circuit breaker (MCB) of max. 16 A in the electrical cabinet. The MCB rating is limited by national installation rules.

**Dimensions**



**Installation** ⚠ 230 V – OFF

Instalatie / Installation / Installation / Installation / Installation / Installasjon / Installazione / Instalacja / Inštalácia



**App settings** ⚠ 230 V – ON

App-instellingen / Réglages de l'appli / App-Einstellungen / App indstillinger / Appställningar / App-innställingar / Impostazioni dell'app / Ustawienia aplikacji / Nastavenia aplikácie

<b>Factory settings</b>	Switch ON/OFF	500 lux	15 min
-------------------------	---------------	---------	--------



**LED behaviour** ⚠ 230 V – ON

Ledgedrag / Comportement des LED / LED-Verhalten / LED funktioner / LED-funktioner / LED-funksjon / Comportamento del LED / Zachowanie LED / LED signalizácia

Green LED continuous on	●	Connection OK	
Green LED breathing	●	Connection OK, overrule ON	
Green LED flashing	●	Warming up	Wait
Red LED continuous on	●	Error	More info -->
Red LED breathing	●	Warning	
Blue LED flashing	●	Walk test active	

**NL**

Groene led brandt	●	Verbinding OK	
Groene led gaat langzaam aan en uit	●	Verbinding OK, overrulen AAN	
Groene led knippert	●	Warmt op	Even geduld
Rode led brandt	●	Fout	Meer informatie -->
Rode led gaat langzaam aan en uit	●	Waarschuwing	
Blauwe led knippert	●	Wandeltest geactiveerd	

**FR**

LED verte allumée en continu	●	Connexion OK	
LED verte respire	●	Connexion OK, overrule ON	
LED verte clignote	●	Chauffe	Attendez
LED rouge allumée en continu	●	Erreur	Plus d'info -->
LED rouge respire	●	Avertissement	
LED bleue clignote	●	Test de mouvement actif	

**DE**

Grüne LED leuchtet	●	Verbindung OK	
Grüne LED pulsiert	●	Verbindung OK, überstimmen AN	
Grüne LED blinkt	●	Aufwärmen	Warten
Rote LED leuchtet	●	Fehler	Mehr Info -->
Rote LED pulsiert	●	Warnung	
Blaue LED blinkt	●	Bewegungstest aktiv	

**DK**

Grøn LED lyser konstant	●	Forbindelse OK	
Grøn LED blinker langsomt	●	Forbindelse OK, overstyring aktiv	
Grøn LED blinker hurtigt	●	Varmer op	Vent
Rød LED lyser konstant	●	Fejl	Mere info -->
Rød LED blinker langsomt	●	Advarsel	
Blå LED blinker hurtigt	●	Gå-test aktiv	

**SE**

Grön LED kontinuerligt på	●	Anslutning OK	
Grön LED-andning	●	Anslutning OK, upphäva ON	
Grön LED blinkar	●	Värmer upp	Vänta
Röd LED kontinuerligt på	●	Fel	Mer information -->
Röd LED-andning	●	Varning	
Blå LED blinkar	●	Promenadstest aktivt	

**NO**

Grønn lysdiode kontinuerlig på	●	Tilkopling OK	
Grønn lysdiode fungerer	●	Tilkopling OK, overstyring PÅ	
Grønn lysdiode blinker	●	Varmes opp	Vent
Rød lysdiode kontinuerlig på	●	Feil	Mer info -->
Rød lysdiode fungerer	●	Advarsel	
Blå lysdiode blinker	●	Funksjonstest virksom	

