

IP66 Metal enclosures MHS



- Metal enclosures with high protection degree MHS
- According to IEC/EN 62208 standard
- Variants for surface mounting
- IP66 for single door enclosures, IP55 for double door enclosures
- Fully welded construction
- Light grey RAL 7035 powder coating
- Top and bottom gland plates
- Complementary accessories

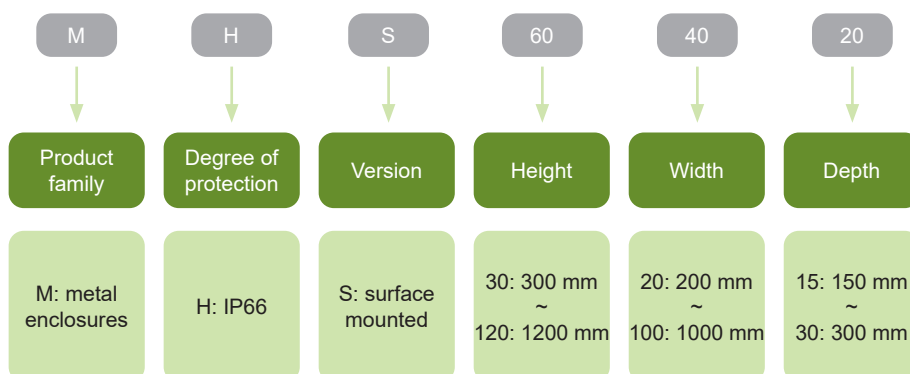
Metal enclosures MHS with mounting plates are surface mounted enclosures suitable mainly for industrial applications where high protection degree (IP) is needed. Protection degree IP66 for single door enclosures and IP55 for double door enclosures.

Usage of quality sheet steel and fully welded construction are the key elements for robustness and rigidity with IK10. Gland plates on bottom and top of enclosure can provide you a maximum possibility of adaptation your application requests. Also due to enclosure symmetry, you can change the position of doors by simply putting it up side down.

We offer complementary accessories as rain canopies, mounting frames for cover plates, cover plates with or without cutout for modules, glazed doors, pole mountings and earthing cables. Spare parts as mounting plates, solid doors and wall brackets you can also find in our portfolio .

In scope of delivery is enclosure, door, mounting plate, gland plates, wall brackets and mounting material.

Type Key



Certification marks



IP66 Metal enclosures MHS

Metal enclosure MHS with mounting plate

- Surface mounted metal enclosures with mounting plate and solid door
- High degree of protection IP66 for single door, IP55 for double door
- Top and bottom gland plate
- Scope of delivery: enclosure, solid door, mounting plate, gland plates, wall brackets and mounting material (earthing cable is not included)



Height	Width	Depth	Number of doors	Article No.	Type	Packing
300 mm	200 mm	150 mm	1	110562	MHS 30 20 15	1
300 mm	300 mm	150 mm	1	110563	MHS 30 30 15	1
300 mm	300 mm	200 mm	1	110564	MHS 30 30 20	1
400 mm	300 mm	150 mm	1	110565	MHS 40 30 15	1
400 mm	300 mm	200 mm	1	110566	MHS 40 30 20	1
400 mm	400 mm	200 mm	1	110567	MHS 40 40 20	1
500 mm	400 mm	150 mm	1	110568	MHS 50 40 15	1
500 mm	400 mm	200 mm	1	110569	MHS 50 40 20	1
600 mm	400 mm	200 mm	1	110570	MHS 60 40 20	1
600 mm	400 mm	300 mm	1	110571	MHS 60 40 30	1
600 mm	500 mm	200 mm	1	110572	MHS 60 50 20	1
600 mm	600 mm	200 mm	1	110573	MHS 60 60 20	1
600 mm	600 mm	300 mm	1	110574	MHS 60 60 30	1
600 mm	800 mm	300 mm	2	110575	MHS 60 80 30	1
700 mm	500 mm	200 mm	1	110576	MHS 70 50 20	1
700 mm	500 mm	300 mm	1	110577	MHS 70 50 30	1
800 mm	600 mm	200 mm	1	110578	MHS 80 60 20	1
800 mm	600 mm	300 mm	1	110579	MHS 80 60 30	1
1000 mm	600 mm	300 mm	1	110580	MHS 100 60 30	1
1000 mm	800 mm	300 mm	1	110581	MHS 100 80 30	1
1000 mm	1000 mm	300 mm	2	110582	MHS 100 100 30	1
1200 mm	600 mm	300 mm	1	110583	MHS 120 60 30	1
1200 mm	800 mm	300 mm	1	110584	MHS 120 80 30	1
1200 mm	1000 mm	300 mm	2	110585	MHS 120 100 30	1

IP66 Metal enclosures MHS

Solid doors

- Solid door as a spare part for MHS enclosures
- Scope of delivery: solid door, lock



Height	Width	Double door	Article No.	Type	Packing
300 mm	200 mm	-	110643	SD MHS 30 20	1
300 mm	300 mm	-	110644	SD MHS 30 30	1
400 mm	300 mm	-	110645	SD MHS 40 30	1
400 mm	400 mm	-	110646	SD MHS 40 40	1
500 mm	400 mm	-	110647	SD MHS 50 40	1
600 mm	400 mm	-	110648	SD MHS 60 40	1
600 mm	500 mm	-	110649	SD MHS 60 50	1
700 mm	500 mm	-	110650	SD MHS 70 50	1
600 mm	600 mm	-	110651	SD MHS 60 60	1
800 mm	600 mm	-	110652	SD MHS 80 60	1
1000 mm	600 mm	-	110653	SD MHS 100 60	1
1200 mm	600 mm	-	110654	SD MHS 120 60	1
600 mm	800 mm	-	110655	SD MHS 60 80	1
600 mm	800 mm	yes	110656	SD MHS 60 80 D	1
1000 mm	800 mm	-	110657	SD MHS 100 80	1
1200 mm	800 mm	-	110658	SD MHS 120 80	1
1000 mm	1000 mm	yes	110659	SD MHS 100 100 D	1
1200 mm	1000 mm	yes	110660	SD MHS 120 100 D	1

Glazed doors

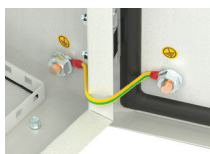
- Glazed door as a complementary part for MHS enclosures
- If used, protection degree of enclosure will be downgrade to IP65
- Tempered glass of thickness 4 mm
- Scope of delivery: glazed door, lock



Height	Width	Double door	Article No.	Type	Packing
300 mm	300 mm	-	110661	GD MHS 30 30	1
400 mm	300 mm	-	110662	GD MHS 40 30	1
400 mm	400 mm	-	110663	GD MHS 40 40	1
500 mm	400 mm	-	110664	GD MHS 50 40	1
600 mm	400 mm	-	110665	GD MHS 60 40	1
600 mm	500 mm	-	110666	GD MHS 60 50	1
700 mm	500 mm	-	110667	GD MHS 70 50	1
600 mm	600 mm	-	110668	GD MHS 60 60	1
800 mm	600 mm	-	110669	GD MHS 80 60	1
1000 mm	600 mm	-	110670	GD MHS 100 60	1
1200 mm	600 mm	-	110671	GD MHS 120 60	1
600 mm	800 mm	-	110672	GD MHS 60 80	1
1000 mm	800 mm	-	110673	GD MHS 100 80	1
1200 mm	800 mm	-	110674	GD MHS 120 80	1

Earthing cables

- Earthing cable for connecting door and body of MHS enclosures
- Scope of delivery: earthing cable

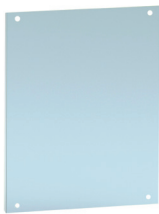


For screws	Length	Article No.	Type	Packing
M8 - M8	190 mm	110683	EC MHS	1/100

IP66 Metal enclosures MHS

Mounting plates

- Galvanized mounting plates as spare part for MHS enclosures
- Scope of delivery: mounting plate, mounting material



Height	Width	Article No.	Type	Packing
300 mm	200 mm	110586	MP MHS 30 20	1/10
300 mm	300 mm	110587	MP MHS 30 30	1/10
400 mm	300 mm	110588	MP MHS 40 30	1/10
400 mm	400 mm	110589	MP MHS 40 40	1/10
500 mm	400 mm	110590	MP MHS 50 40	1/10
600 mm	400 mm	110591	MP MHS 60 40	1/2
600 mm	500 mm	110592	MP MHS 60 50	1/2
700 mm	500 mm	110593	MP MHS 70 50	1/2
600 mm	600 mm	110594	MP MHS 60 60	1/2
800 mm	600 mm	110595	MP MHS 80 60	1/2
1000 mm	600 mm	110596	MP MHS 100 60	1/2
1200 mm	600 mm	110597	MP MHS 120 60	1/2
600 mm	800 mm	110598	MP MHS 60 80	1/2
1000 mm	800 mm	110599	MP MHS 100 80	1/2
1200 mm	800 mm	110600	MP MHS 120 80	1/2
1000 mm	1000 mm	110601	MP MHS 100 100	1/2
1200 mm	1000 mm	110602	MP MHS 120 100	1/2

Rain canopies

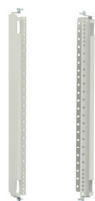
- Rain canopy for MHS enclosure
- Scope of delivery: rain canopy, mounting material



Height	Width	Depth	Article No.	Type	Packing
-	300 mm	150 mm	110631	RC MHS 00 30 15	1
-	300 mm	200 mm	110632	RC MHS 00 30 20	1
-	400 mm	150 mm	110633	RC MHS 00 40 15	1
-	400 mm	200 mm	110634	RC MHS 00 40 20	1
-	400 mm	300 mm	110635	RC MHS 00 40 30	1
-	500 mm	200 mm	110636	RC MHS 00 50 20	1
-	500 mm	300 mm	110637	RC MHS 00 50 30	1
-	600 mm	200 mm	110638	RC MHS 00 60 20	1
-	600 mm	300 mm	110639	RC MHS 00 60 30	1
-	800 mm	200 mm	110640	RC MHS 00 80 20	1
-	800 mm	300 mm	110641	RC MHS 00 80 30	1
-	1000 mm	300 mm	110642	RC MHS 00 100 30	1

Cover plate mounting frames

- Mounting frame for placing the cover plates
- Scope of delivery: left and right part of frame, mounting material



Height	Article No.	Type	Packing
300 mm	110603	MF MHS 30	1
400 mm	110604	MF MHS 40	1
500 mm	110605	MF MHS 50	1
600 mm	110606	MF MHS 60	1
700 mm	110607	MF MHS 70	1
800 mm	110608	MF MHS 80	1
1000 mm	110609	MF MHS 100	1
1200 mm	110610	MF MHS 120	1

IP66 Metal enclosures MHS

Cover plates

- Cover plate with or without cutout for modular devices
- Total height of cover plates must be at least 20 mm less than height of enclosure
- Scope of delivery: cover plate, mounting material



Height	For enclosure width	Number of modules	Article No.	Type	Packing
100 mm	300 mm	-	110611	CP MHS 10 30	1
120 mm	300 mm	-	110612	CP MHS 12 30	1
160 mm	300 mm	-	110613	CP MHS 16 30	1
100 mm	400 mm	-	110614	CP MHS 10 40	1
120 mm	400 mm	-	110615	CP MHS 12 40	1
160 mm	400 mm	-	110616	CP MHS 16 40	1
100 mm	500 mm	-	110617	CP MHS 10 50	1
120 mm	500 mm	-	110618	CP MHS 12 50	1
160 mm	500 mm	-	110619	CP MHS 16 50	1
100 mm	600 mm	-	110620	CP MHS 10 60	1
120 mm	600 mm	-	110621	CP MHS 12 60	1
160 mm	600 mm	-	110622	CP MHS 16 60	1
120 mm	300 mm	12	110623	CP MHS 12 30 12M	1
160 mm	300 mm	12	110624	CP MHS 16 30 12M	1
120 mm	400 mm	18	110625	CP MHS 12 40 18M	1
160 mm	400 mm	18	110626	CP MHS 16 40 18M	1
120 mm	500 mm	24	110627	CP MHS 12 50 24M	1
160 mm	500 mm	24	110628	CP MHS 16 50 24M	1
120 mm	600 mm	29	110629	CP MHS 12 60 29M	1
160 mm	600 mm	29	110630	CP MHS 16 60 29M	1

Wall brackets

- Wall brackets as a spare part for MHS enclosures
- Scope of delivery: wall brackets, mounting material



Quantity	Article No.	Type	Packing
4 pcs	110675	WB MHS 4	1 set
6 pcs	110676	WB MHS 6	1 set

Pole mountings

- Pole mounting for MHS enclosures
- Scope of delivery: pole mounting set, mounting material



Height	For enclosure width	Number of grips	Article No.	Type	Packing
-	300 mm	2	110677	PM MHS 00 30	1 set
-	400 mm	2	110678	PM MHS 00 40	1 set
-	500 mm	2	110679	PM MHS 00 50	1 set
-	600 mm	2	110680	PM MHS 00 60	1 set
-	600 mm	3	110681	PM MHS 00 60-3	1 set
-	800 mm	3	110682	PM MHS 00 80	1 set

IP66 Metal enclosures MHS

Lock key

- Lock key suitable for MHS enclosures as replacement of supplied lock
- Only for single door enclosures (please check number of lock per enclosure)
- Cam length 22 mm
- Packed separately



Insert shape	Article No.	Type	Packing
Lock with key	110704	LK MHS K	1



Cable brush entry

- Height of brush 35 or 55 mm
- Roll of 25 m
- Materials: body - thermoplastic elastomer (TPE); brushes - polypropylene (PP)



Height of brush	Article No.	Type	Packing
55 mm	110811	CB MHS 5.5	1 roll
35 mm	110812	CB MHS 3.5	1 roll

Technical Data MHS

IP66 Metal enclosures MHS

General parameters

For heavy duty uses with IP66 protection rating, IP55 for big enclosures with double door and IP65 while using a glazed door
Fully welded construction
Top and bottom gland plates with PE gasket for maximum adjustability
Foamed-in door PU sealing gasket

Electrical parameters

Tested according to	IEC/EN 62208
Rated operational voltage U_e	1 000 V AC
Rated frequency f	up to 1 000 Hz
Rated impulse voltage U_{imp}	8 kV
Insulation voltage U_i	1000 V AC
Maximum short-circuit current I_{dc}	35 kA
Degree of protection	IP66 (single door), IP55 (double door) IP65 (with glazed door)
Mechanical impact protection	IK10 (solid door)
Insulation class	I

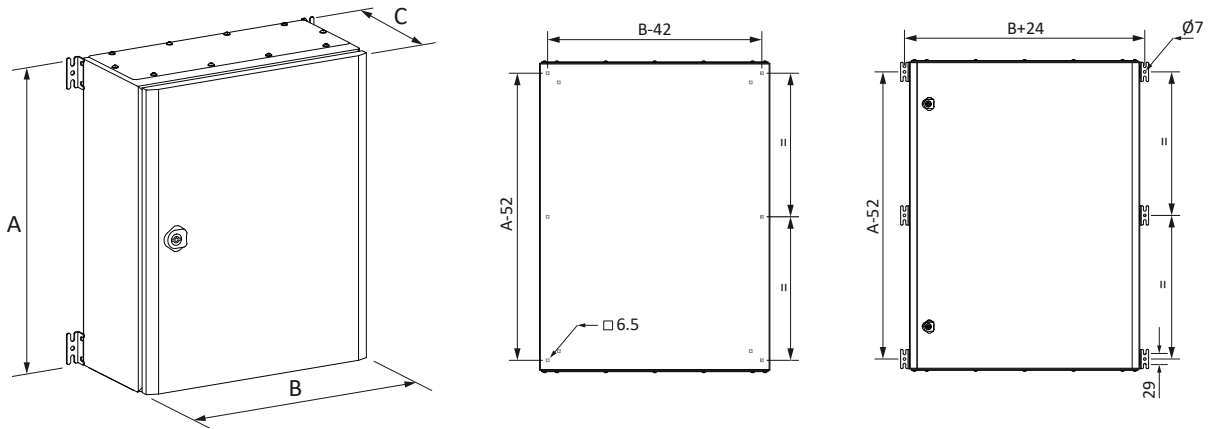
Mechanical parameters

Material of enclosure	sheet steel
Thickness of body and door	1.2 or 1.5 mm
Maximum door opening angle	155°
Colour	RAL 7035
Material of mounting plate	galvanized steel
Thickness of mounting plate	1.5 or 2 mm
Ambient temperature	-40 – +100 °C

Technical Data MHS

IP66 Metal enclosures MHS

Dimensional drawings



Dimensions

Type	Dimensions [mm]			Door	Lock	Hinge	Wall bracket	Glazed door	Cover plate*	Rain canopy	Power dissipation [W]	Weight [kg]
	A	B	C									
MHS 30 20 15	300	200	150	1	1	2	4	—	—	—	10	4.2
MHS 30 30 15	300	300	150	1	1	2	4	•	—	•	16	5.6
MHS 30 30 20	300	300	200	1	1	2	4	•	•	•	18	6.3
MHS 40 30 15	400	300	150	1	1	2	4	•	—	•	19	7.0
MHS 40 30 20	400	300	200	1	1	2	4	•	•	•	21	7.9
MHS 40 40 20	400	400	200	1	1	2	4	•	•	•	26	9.8
MHS 50 40 15	500	400	150	1	1	2	4	•	—	•	27	10.5
MHS 50 40 20	500	400	200	1	1	2	4	•	•	•	29	11.6
MHS 60 40 20	600	400	200	1	2	2	4	•	•	•	38	13.5
MHS 60 40 30	600	400	300	1	2	2	4	•	•	•	41	15.6
MHS 60 50 20	600	500	200	1	2	2	4	•	•	•	41	16.2
MHS 60 60 20	600	600	200	1	2	2	4	•	•	•	49	20.6
MHS 60 60 30	600	600	300	1	2	2	4	•	•	•	55	23.2
MHS 60 80 30	600	800	300	2	1	4	6	•	—	•	65	28.3
MHS 70 50 20	700	500	200	1	2	3	4	•	•	•	46	18.5
MHS 70 50 30	700	500	300	1	2	3	4	•	•	•	53	21.2
MHS 80 60 20	800	600	200	1	2	3	6	•	•	•	56	26.2
MHS 80 60 30	800	600	300	1	2	3	6	•	•	•	63	29.0
MHS 100 60 30	1000	600	300	1	2	3	6	•	•	•	69	35.2
MHS 100 80 30	1000	800	300	1	2	4	6	•	—	•	96	45.3
MHS 100 100 30	1000	1000	300	2	1	4+4	6	—	—	•	117	60.0
MHS 120 60 30	1200	600	300	1	2	4	6	•	•	•	77	39.7
MHS 120 80 30	1200	600	300	1	2	4	6	•	—	•	105	59.0
MHS 120 100 30	1200	1000	300	2	1	4+4	6	—	—	•	140	70.0

* Total height of cover plates must be at least 20 mm less than height of enclosure