



FLA-YCON00001

Flexi Loop

SAFE SERIES CONNECTION / SAFETY CONTROLLERS

SICK
Sensor Intelligence.



Ordering information

| Type | Part no. |
|---------------|----------|
| FLA-YCON00001 | 2074733 |

Other models and accessories → www.sick.com/Flexi_Loop



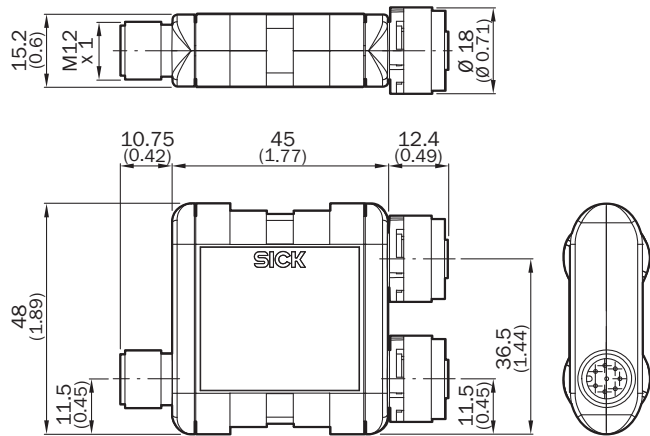
Detailed technical data

Classifications

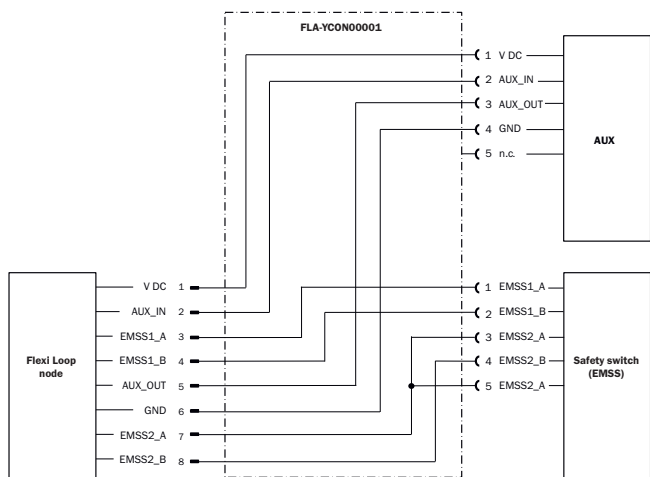
| | |
|-----------------------|----------|
| eCl@ss 5.0 | 27371990 |
| eCl@ss 5.1.4 | 27371990 |
| eCl@ss 6.0 | 27371819 |
| eCl@ss 6.2 | 27371819 |
| eCl@ss 7.0 | 27371819 |
| eCl@ss 8.0 | 27371819 |
| eCl@ss 8.1 | 27371819 |
| eCl@ss 9.0 | 27371819 |
| eCl@ss 10.0 | 27371819 |
| eCl@ss 11.0 | 27371819 |
| eCl@ss 12.0 | 27371819 |
| ETIM 5.0 | EC001449 |
| ETIM 6.0 | EC001449 |
| ETIM 7.0 | EC001449 |
| ETIM 8.0 | EC001449 |
| UNSPSC 16.0901 | 41113704 |

Dimensional drawing (Dimensions in mm (inch))

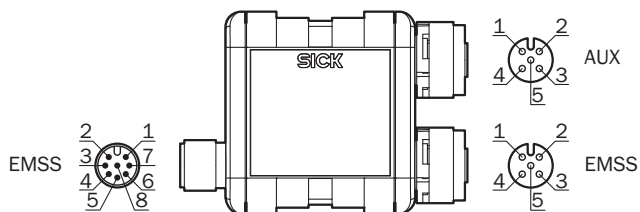
FLA-YCON00001



Connection diagram




PIN assignment



| Con- nec- tion | Pin | Sig- nal | Description | Col- or-cod- ed con- nect- ing cable |
|-------------------------------------------------------------------------|-----|-------------|--------------------------------------|--------------------------------------------------------|
| EMSS | 1 | VDC | 24 V supply voltage | White |
| | 2 | AUX_IN | Non-safe input | Brown |
| | 3 | EMSS1_A | Switching contact 1, connection A | Green |
| | 4 | EMSS1_E | Switching contact 1, connection B | Yellow |
| | 5 | AUX_OUT | Non-safe output | Gray |
| | 6 | GND | GND supply voltage | Pink |
| | 7 | EMSS2_A | Switching contact 2, connection A | Blue |
| | 8 | EMSS2_E | Switching contact 2, connection B | Red |
| AUX | 1 | VDC | 24 V supply voltage | |
| | 2 | AUX_IN | Non-safe input | |
| | 3 | AUX_OUT | Non-safe output | |
| | 4 | GND | GND supply voltage | |
| | 5 | NC | Not connected | |
| EMSS | 1 | EMSS1_A | Switching contact 1, connection A | Brown |
| | 2 | EMSS1_E | Switching contact 1, connection B | White |
| | 3 | EMSS2_A | Switching contact 2, connection A | Blue |
| | 4 | EMSS2_E | Switching contact 2, connection B | Black |
| | 5 | EMSS2_A | Switching contact 2, connection A | Gray |
| EMSS pin 3 and EMSS pin 5 can be used as alternatives. | | | | |
| The colors listed apply when using pre-assembled cables (no guarantee). | | | | |

Recommended accessories

Other models and accessories → www.sick.com/Flexi_Loop

| | Brief description | Type | Part no. |
|-----------------------------------------------------------------------------------|---------------------------------|---------------|----------|
| Mounting brackets and plates | | | |
|  | 1 piece, Flexi Loop fixing clip | C-Fix bracket | 2068830 |

SICK AT A GLANCE

SICK is one of the leading manufacturers of intelligent sensors and sensor solutions for industrial applications. A unique range of products and services creates the perfect basis for controlling processes securely and efficiently, protecting individuals from accidents and preventing damage to the environment.

We have extensive experience in a wide range of industries and understand their processes and requirements. With intelligent sensors, we can deliver exactly what our customers need. In application centers in Europe, Asia and North America, system solutions are tested and optimized in accordance with customer specifications. All this makes us a reliable supplier and development partner.

Comprehensive services complete our offering: SICK LifeTime Services provide support throughout the machine life cycle and ensure safety and productivity.

For us, that is “Sensor Intelligence.”

WORLDWIDE PRESENCE:

Contacts and other locations –www.sick.com