

Part number

# CK 03 VGNS



Hood, CK series, with 1 lever, Pg11 top cable entry, size "21.21", black colour

Product description		Material properties	
<b>Product type</b>	Hood	<b>Other materials</b>	Lever: Polyamide (PA)
<b>Series</b>	CK	<b>Colour</b>	RAL 9005 black
<b>Closing type</b>	With 1 lever	<b>RoHs conformity</b>	Compliant
<b>Size</b>	Size "21.21"	<b>China RoHs - EFUP</b>	E
<b>Cable entry</b>	Top cable entry Pg11	<b>REACH SVHC substances</b>	No
<b>Specification</b>	Black colour	<b>Approvals / Standards</b>	
<b>Technical data</b>		<b>UL</b>	ECBT2
<b>IP degree of protection</b>	IP44 - IP66 / IP67 / IP69 with CKR 65 (D)	<b>cUL</b>	ECBT8
<b>Further technical details</b>		<b>General ordering information</b>	
<b>Weight</b>	21,00 g	<b>EAN13 code</b>	8015747026697
<b>Operating temperature range (min, max)</b>	-40°C...+125°C	<b>Packaging Information</b>	
		<b>Packaging length</b>	330,00 mm
		<b>Packaging height</b>	170,00 mm
		<b>Packaging width</b>	230,00 mm
		<b>Packaging weight</b>	2,10 kg
		<b>Packaging volume</b>	12,90 dm <sup>3</sup>
		<b>Packaging description</b>	Carton box
		<b>Packaging quantity</b>	100 Pcs
		<b>Packaging EAN code</b>	8015747026703
		<b>Sub-packaging weight</b>	0,21 kg
		<b>Sub-packaging description</b>	Carton box
		<b>Sub-packaging quantity</b>	10 Pcs
		<b>Sub-packaging EAN barcode</b>	8015747026710

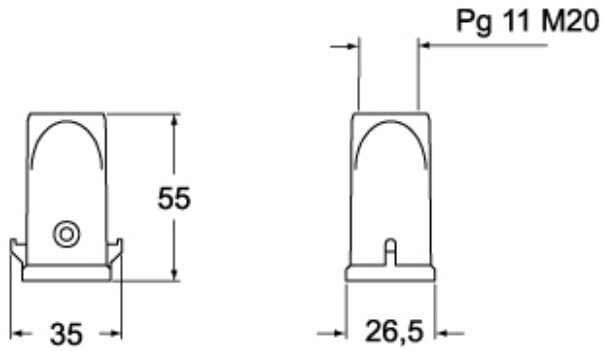
Part number

# CK 03 VGNS

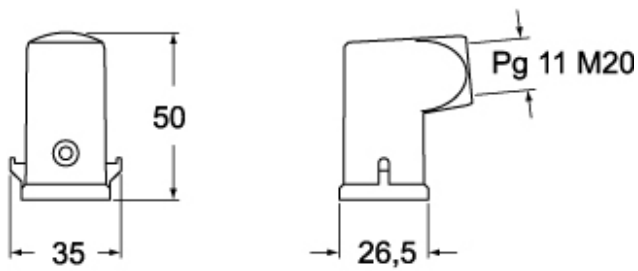


Catalogue drawings

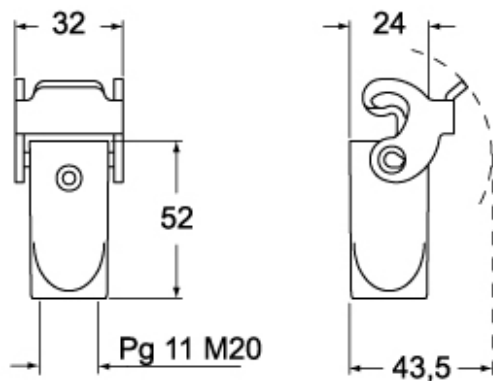
## CK V(N)S - MK V(N)



## CK VA(N)S - MK VA(N)



## CK VG(N)S - MK VG(N)



## Notes

Dimensions shown in mm are not binding and may be changed without notice.