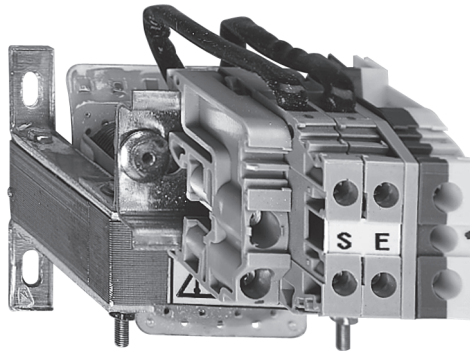




00136441813036

# Altivar - Lexium

## VZ1L 004M010 - 007UM50 - 018UM20



VZ1L004M010	10 mH	4 A
VZ1L007UM50	5 mH	7 A
VZ1L018UM20	2 mH	18 A

### **⚠ ⚠ DANGER**

#### **HAZARD OF ELECTRIC SHOCK, EXPLOSION, OR ARC FLASH**

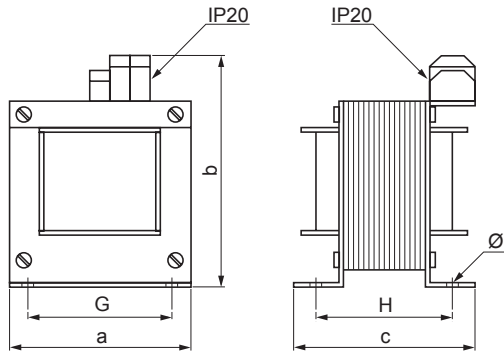
- Read and understand this manual and the manuals of the drive before installing this option.
  - Installation must be performed by qualified personnel
  - The user is responsible for compliance with all international and national electrical code requirements with respect to grounding of all equipment.
  - Many parts of this drive, including the printed circuit boards, operate at the line voltage. **DO NOT TOUCH.** Use only electrically insulated tools.
  - **DO NOT** touch unshielded components or terminal strip screw connections with voltage present.
  - **DO NOT** short across terminals PA/+ and PC/- or across the DC bus capacitors.
  - Before servicing the drive:
    - Disconnect all power, including external control power that may be present.
    - Place a "DO NOT TURN ON" label on all power disconnects.
    - Lock all power disconnects in the open position.
    - **WAIT 15 MINUTES** to allow the DC bus capacitors to discharge.
    - Measure the voltage of the DC bus between the PA/+ and PC/- terminals to ensure that the voltage is less than 42 Vdc.
    - If the DC bus capacitors do not discharge completely, contact your local Schneider Electric representative. Do not repair or operate the drive.
  - Install and close all covers before applying power or starting and stopping the drive.
- Failure to follow these instructions will result in death or serious injury.**

Electrical equipment should be installed, operated, serviced, and maintained only by qualified personnel. No responsibility is assumed by Schneider Electric for any consequences arising out of the use of this product.

© 2010 Schneider Electric. All Rights Reserved.



W9 1364418 01 13 A03  
03 - 2010



IP 00	a mm (in)	b mm (in)	c mm (in)	G mm (in)	H mm (in)	Ø mm (in)
VZ1L004M010	60 (2.36)	100 (9.94)	80 (3.15)	50 (1.97)	44 (1.73)	4 (0.16)
VZ1L007UM50	60 (2.36)	100 (9.94)	95 (3.74)	50 (1.97)	60 (2.36)	4 (0.16)
VZ1L018UM20	85 (3.35)	120 (4.72)	105 (4.13)	70 (2.76)	70 (2.76)	5 (0.20)

