

Contents:

1 - FIBER TRAY (HOUSING & DRAWER)	2 - #10-32 x 5/16" BLACK SCREWS	4 - CABLE TIES
6 - #12-24 x 1/2" SCREWS	2 - CABLE ENTRY GROMMETS	1 - CAUTION LABEL
6 - M6 x 1.0 x 16 SCREWS	2 - BEND RADIUS CONTROL CLIPS	2 - LASER WARNING LABELS
2 - STRAIN RELIEF BRACKETS	2 - ADHESIVE BACKED MOUNTS	1 - ULTIMATE ID LABEL COVER KIT
2 - #10-32 BLACK HEX NUTS	4 - TAK-TYS, 6" PCS.	

WARNING: THE DRAWER MUST BE REMOVED COMPLETELY FROM THE HOUSING WHEN BEING TRANSPORTED. THE DRAWER MAY BE DAMAGED IF TRANSPORTED INSIDE THE HOUSING.

WARNING: UNMATED CONNECTORS MAY EMIT INVISIBLE LASER RADIATION. DO NOT LOOK DIRECTLY INTO THE END OF THE CONNECTOR. DO NOT INSPECT WITH MAGNIFYING DEVICES. MAINTAIN CAP ON UNMATED CONNECTORS.

CAUTION:

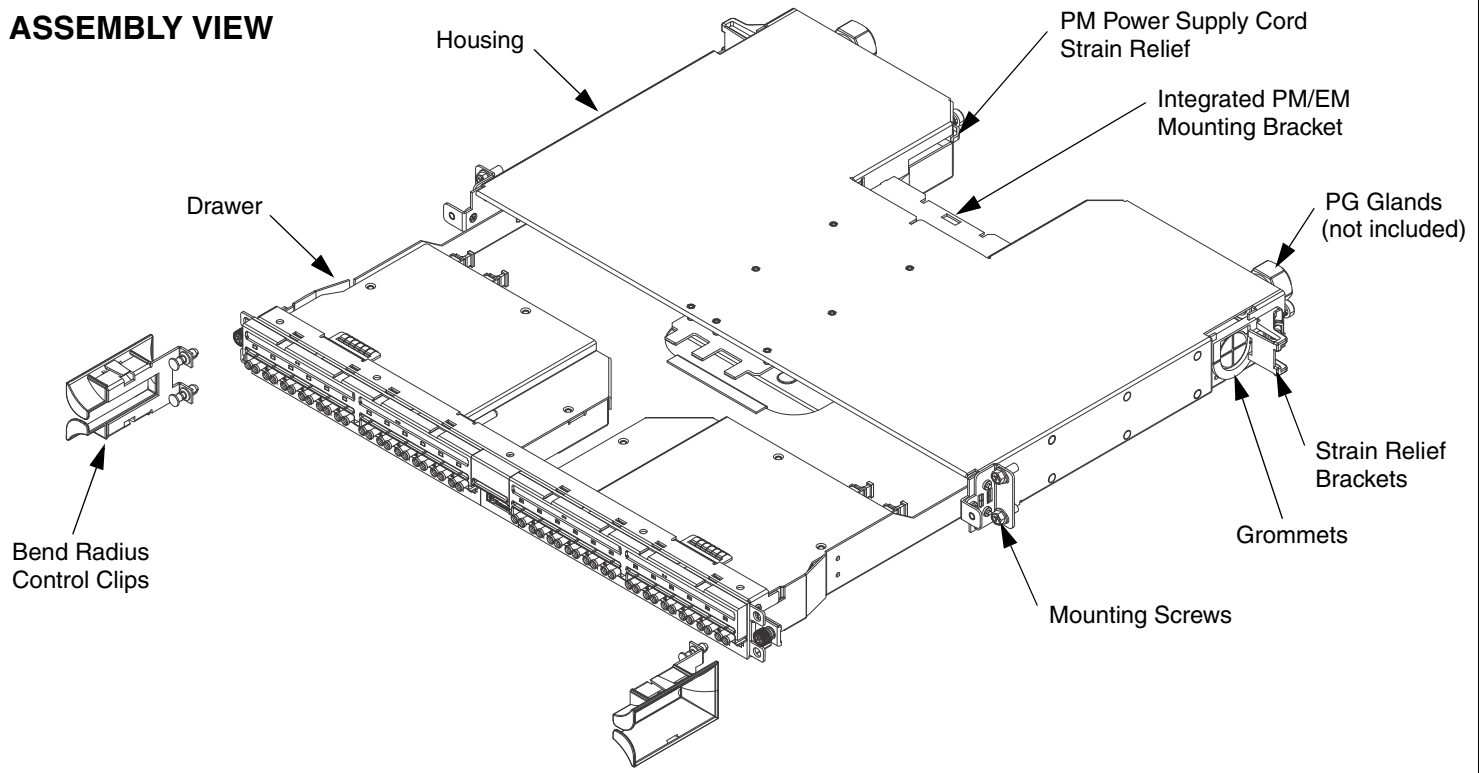
Fiber optic cable is sensitive to excessive pulling, bending and crushing forces. Consult the manufacturer's cable specification sheet for the specific cable in use.

Follow TIA/EIA-568A, 569, 606, and 607 installation guidelines where applicable.

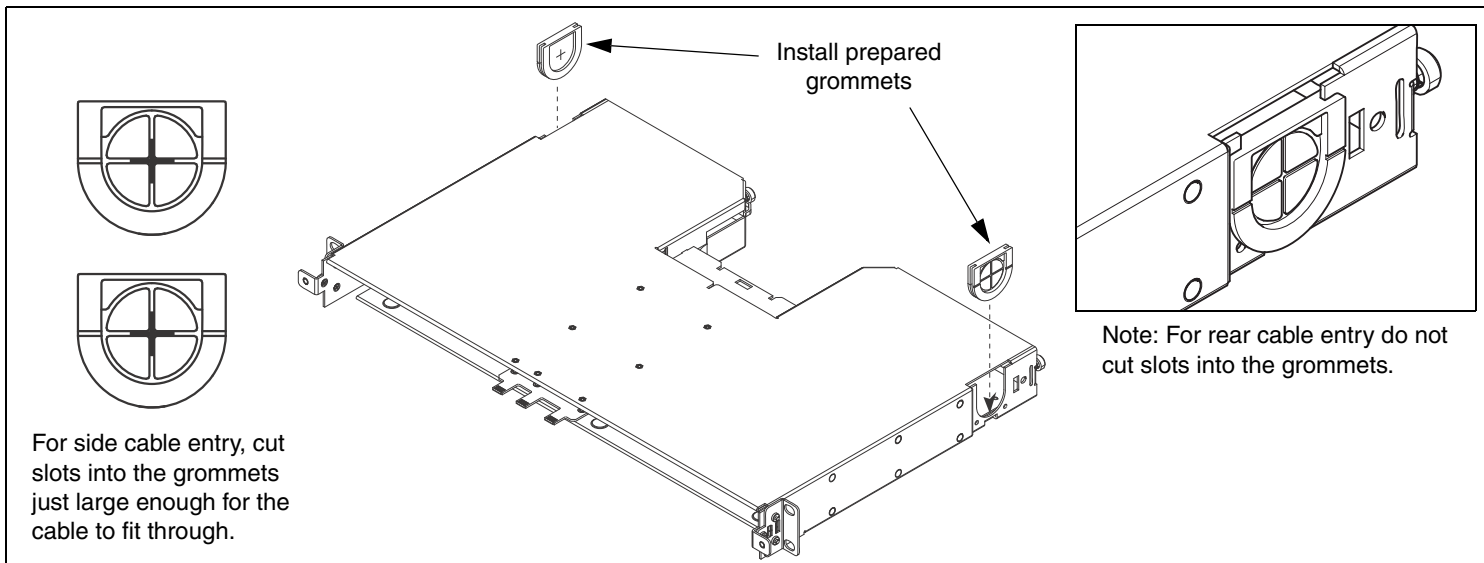
Care should be taken when opening and closing fully loaded drawer in order to protect fiber components.

Compliance with local and national requirements for laser safety must be verified in end use application of the product. Requirements such as found in IEC 60825-2 may be applicable. A laser hazard warning label is included in product accessory kit for use as necessary.

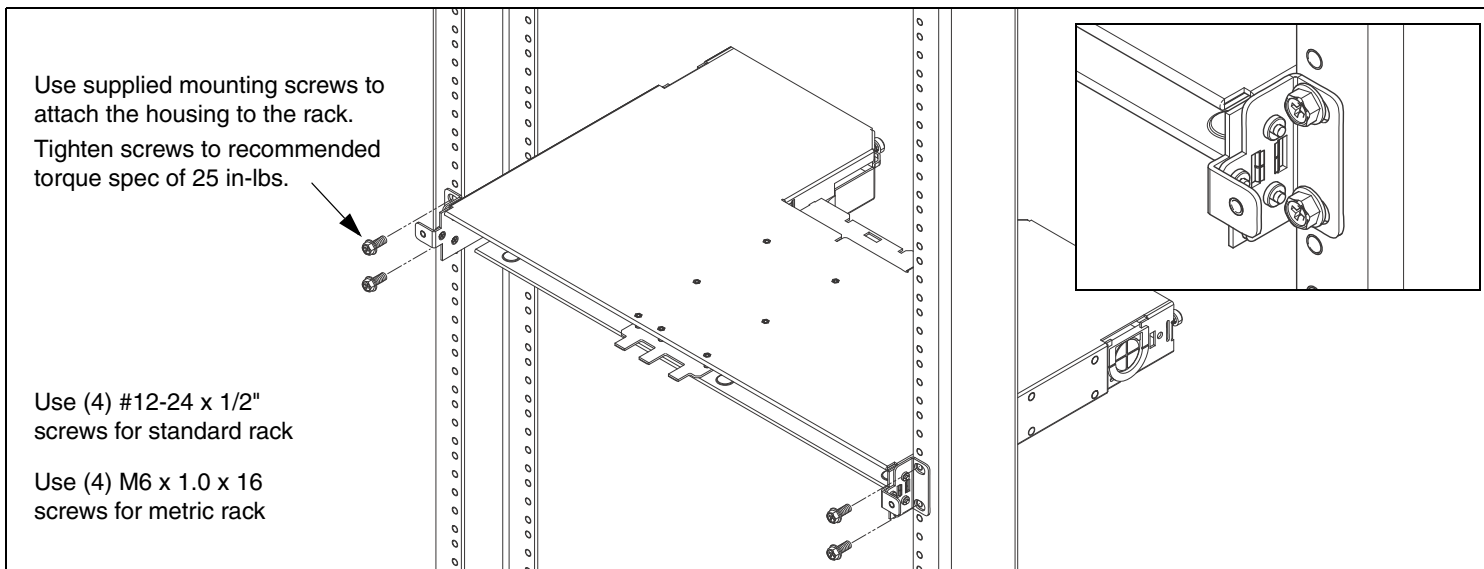
ASSEMBLY VIEW



1. Install the Grommets onto the Housing

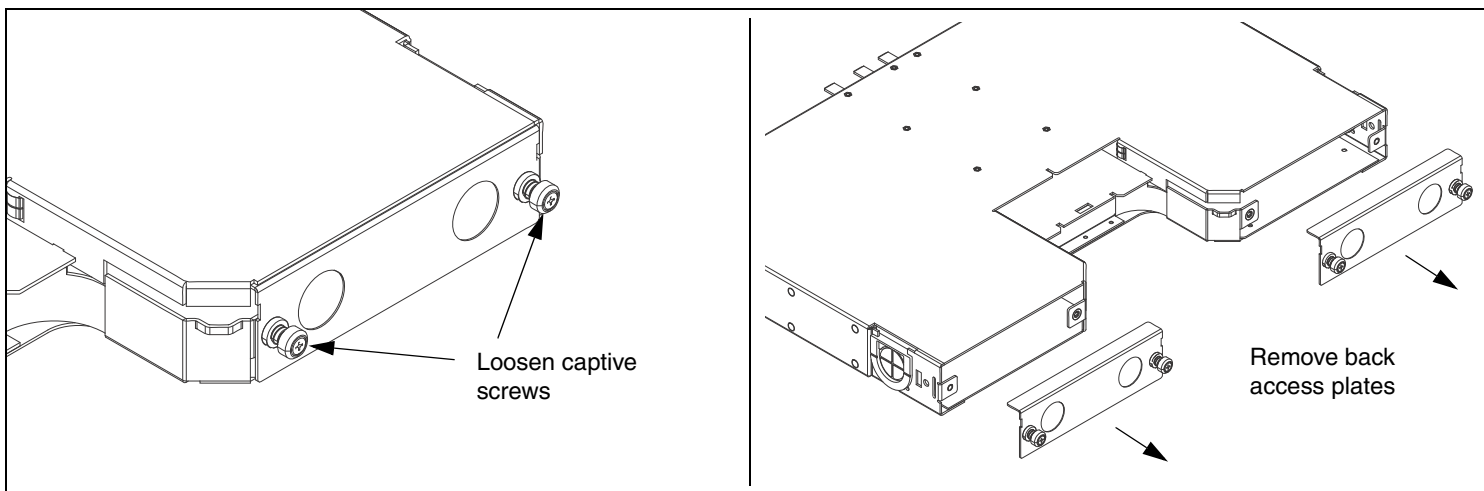


2. Mount the Housing to the Rack



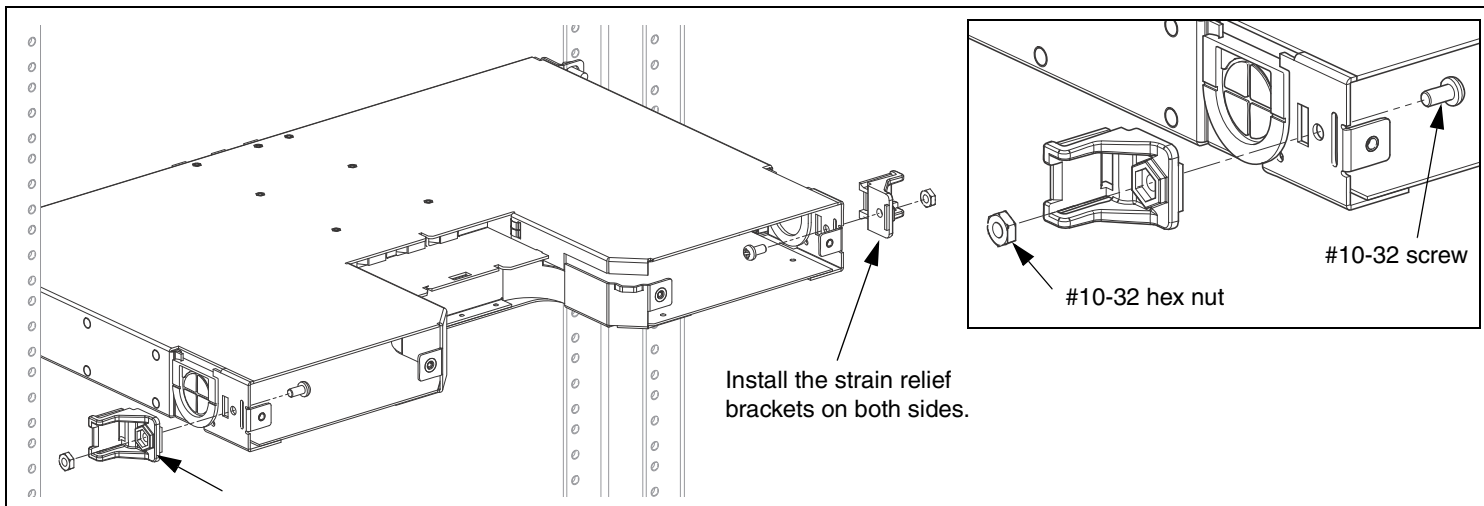
3. Remove the Back Access Plates

Note: Set back access plates aside. These will be re-installed at a later step.

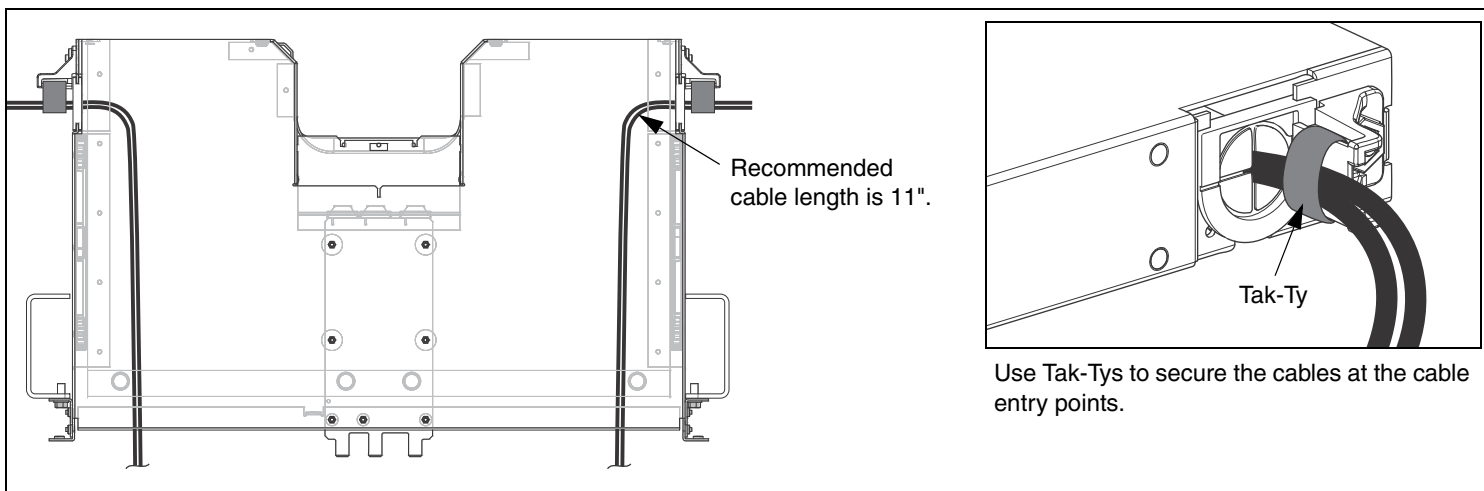


4. Install the Strain Relief Brackets

Note: Steps 4 and 5A are for side cable entry. For rear cable entry, see step 5B,

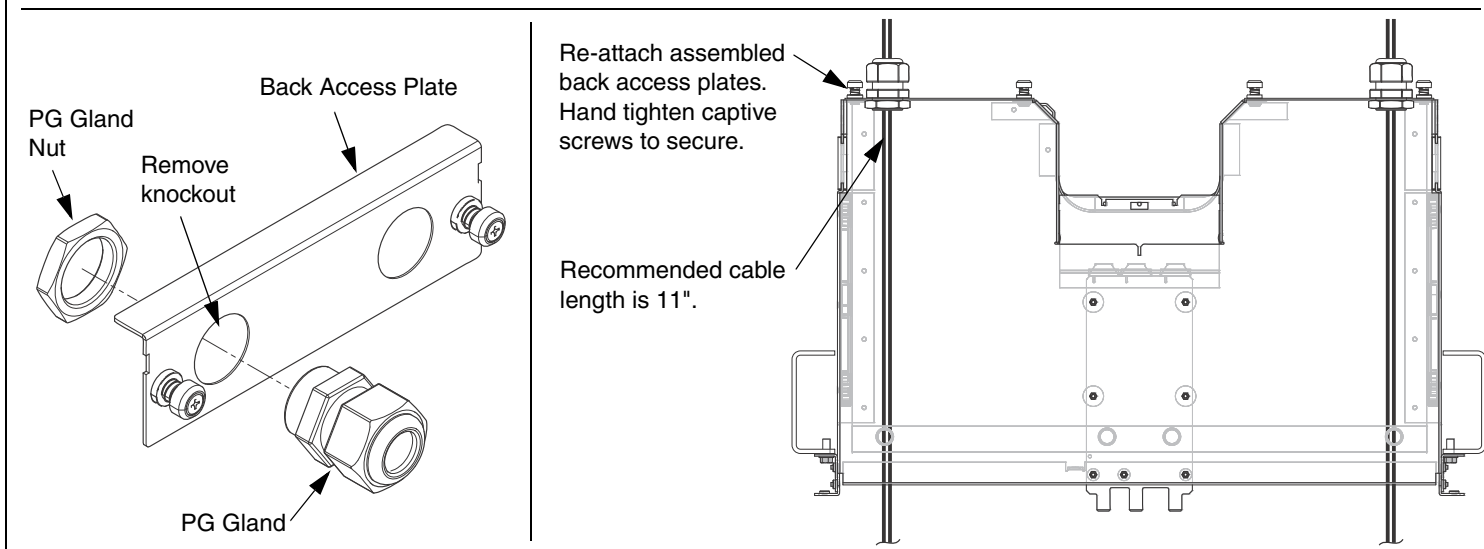


5A. Route the Fiber Cables into the Housing through prepared Grommets



5B. Rear cable entry option using PG Glands

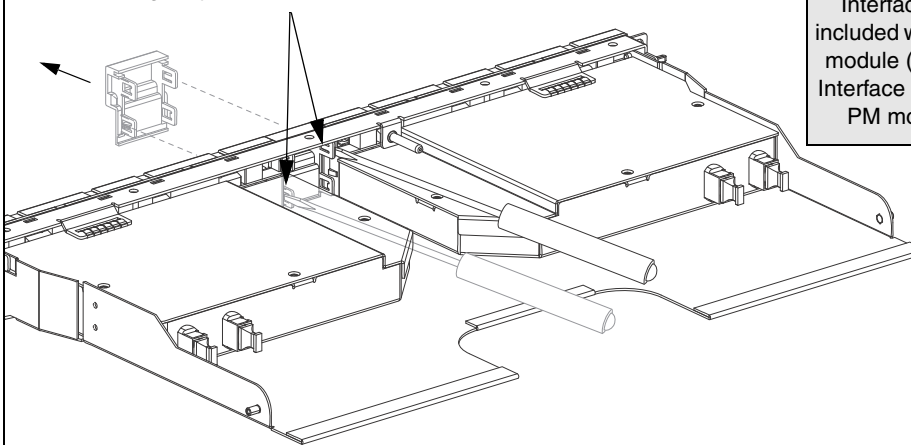
Note: For rear cable entry, use of a PG11 or PG16 Gland with flat ribbon insert (not supplied) is recommended. The remainder of this installation instruction will show the side cable entry option.



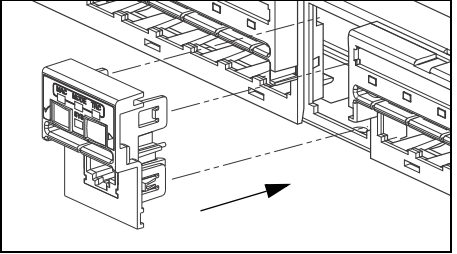
6. Remove Blank Interface Unit from Drawer and replace with PM/EM Interface Unit

Note: It is recommended that this step be completed prior to fiber termination.

To remove any Interface Unit, depress the locking tabs from the rear of the panel (upper right & lower left) and gently push the unit forward.

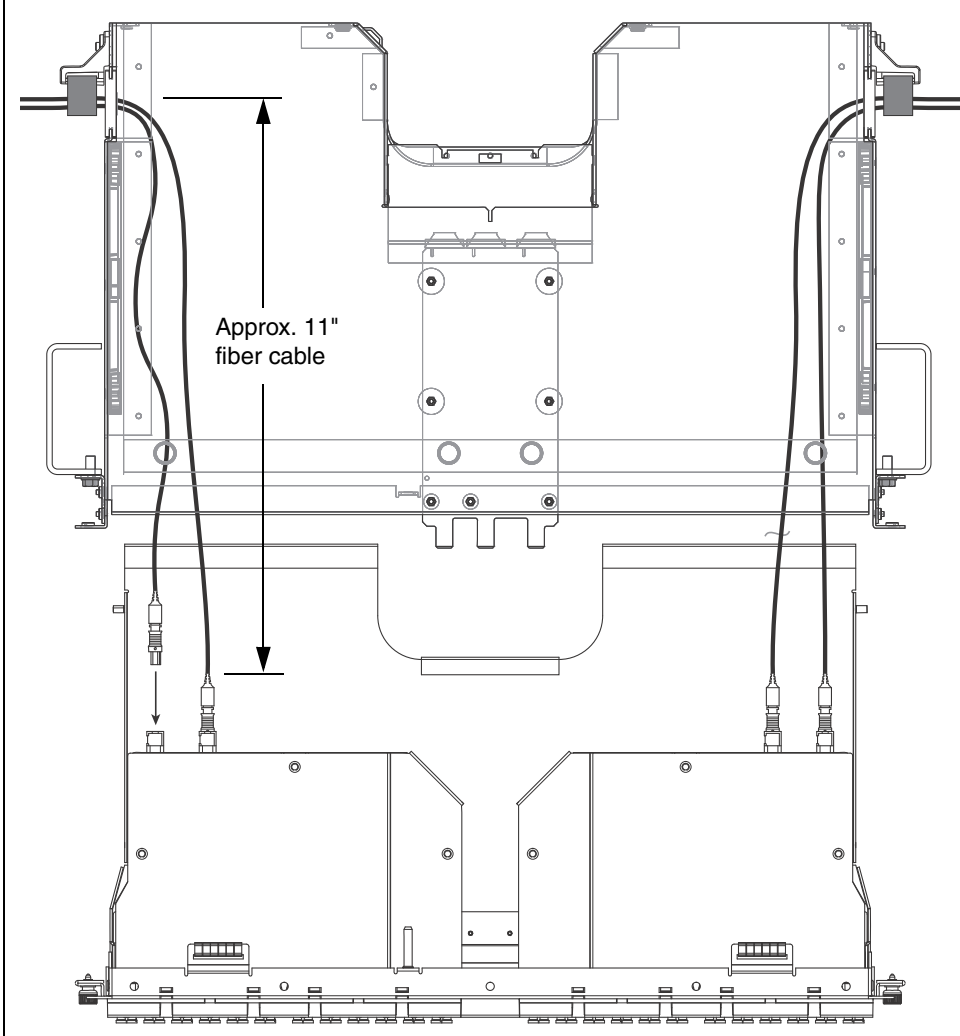


NOTE:
Be sure to match the proper Interface Unit included with each module (e.g. PM Interface Unit with PM module)



Insert the new PM or EM Interface Unit into the front center of the drawer, gently pushing it into the open slot until it snaps into place. Care must be taken to avoid disruption of cabling or electronics.

7. Connect MTP* cables



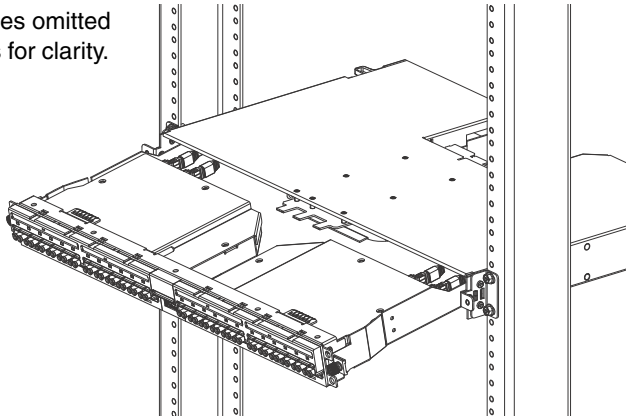
Approx. 11" fiber cable

Note: The housing should be mounted in the rack or cabinet before the fiber is terminated in the drawer and the drawer is installed.

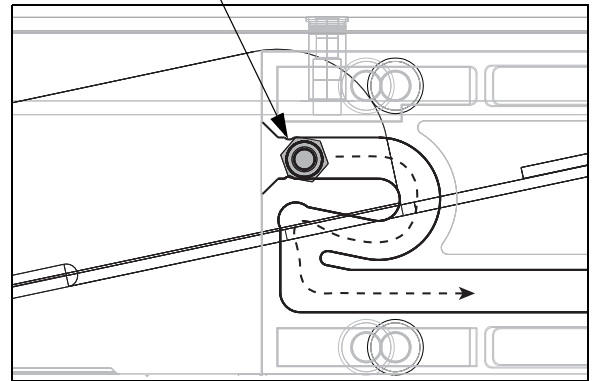
*MTP is a registered trademark of US Conec Ltd.

8. Install the Drawer into the Housing

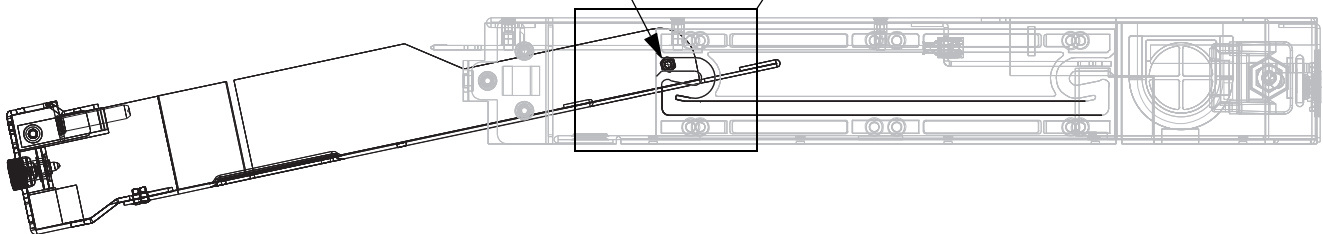
Note: Cables omitted from views for clarity.



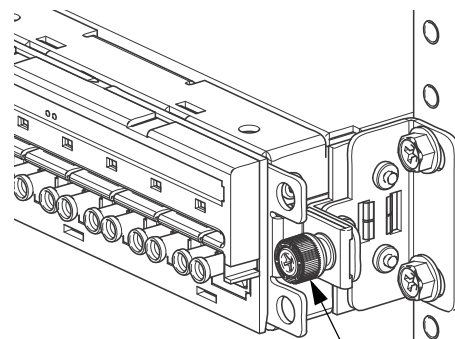
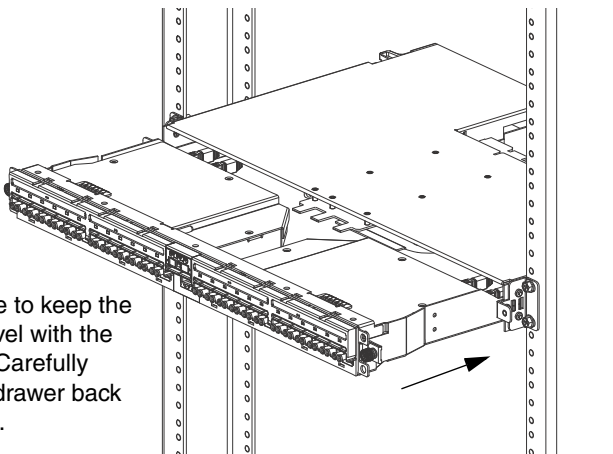
Guide the hinge pins along the curved path



Hinge pin

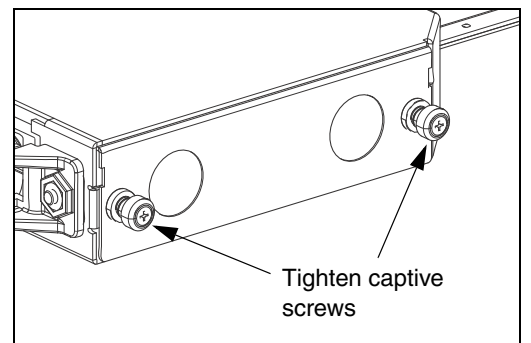
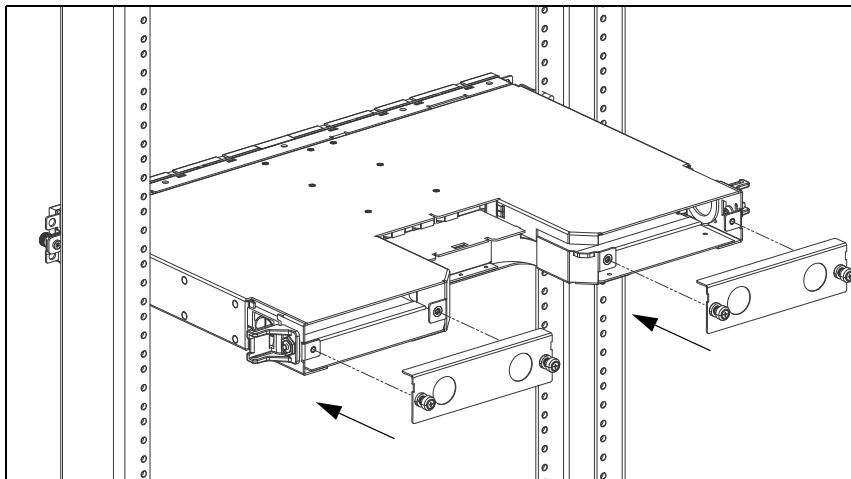


Make sure to keep the drawer level with the housing. Carefully slide the drawer back into place.



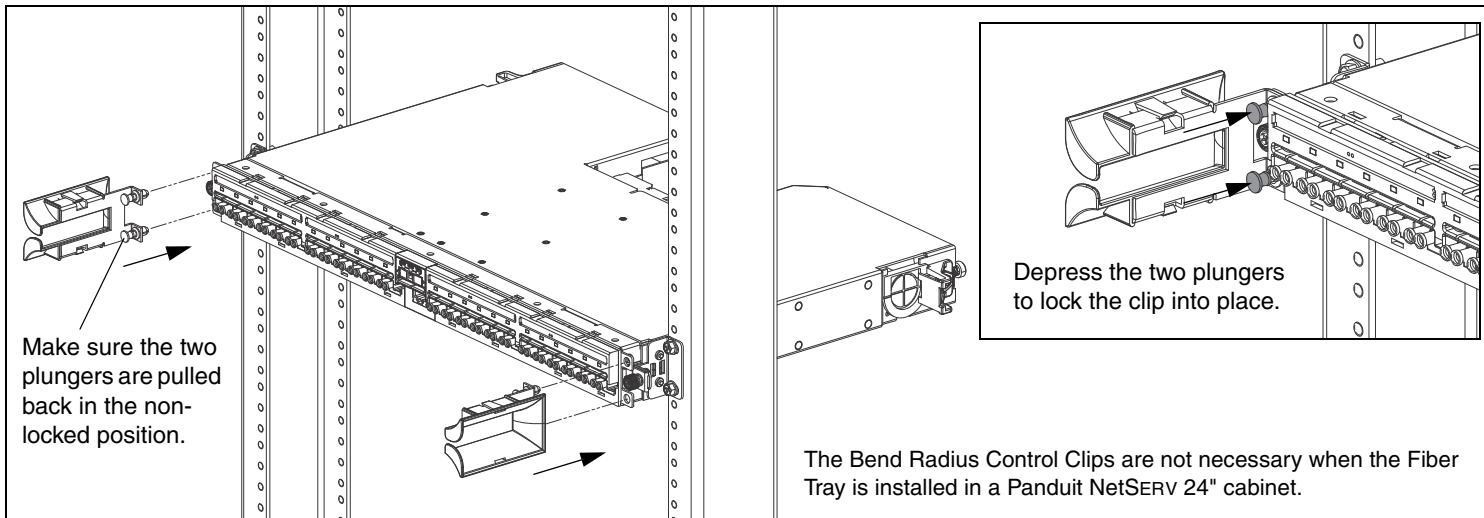
Hand tighten captive screws on both sides to secure.

9. Re-install the Back Access Plates



Tighten captive screws

10. Attach the Bend Radius Control Clips



11. Install the Ultimate ID Labels and Label Covers

Label*

Label Cover

Suggested Label Solutions for TIA/EIA-606-A Compliance			
Patch Panel Part Number	Laser/Ink Jet Desktop Printer Label	PanTher LS8E Hand-Held Printer Label	Cougar LS9 Hand-Held Printer Label
All PViQ Patch Panels	UILJ6	UILS8BW	UILS8BW

To label PViQ Panel according to TIA/EIA-606-A standard, Ultimate ID labels (not included) should be created and installed (as shown). Label covers (included) should be installed to protect the label.

* Write on labels are not included with this patch panel per TIA-EIA-606-A standard which states: "To maximize legibility, all labels shall be printed or generated by a mechanical device, and shall not be written by hand." (Refer to table above for label products)