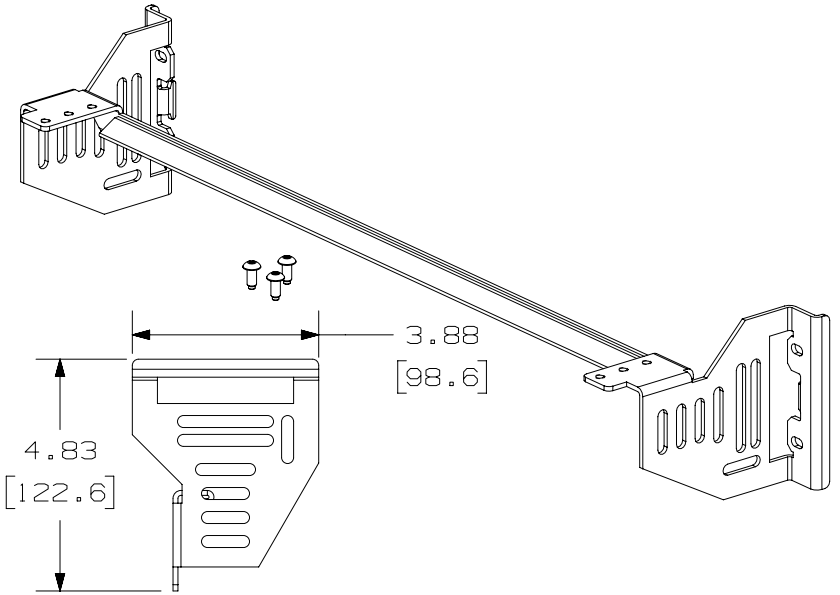
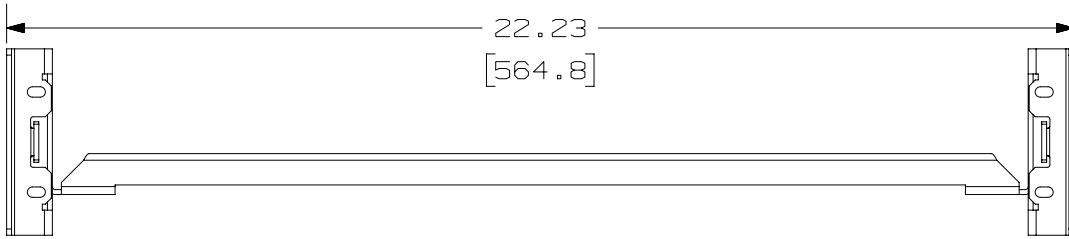
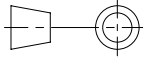



THIS COPY IS PROVIDED ON A RESTRICTED BASIS AND IS NOT TO BE USED IN ANY WAY DETRIMENTAL TO THE INTERESTS OF PANDUIT CORP.

NOTES:

1. VISIT OUR ON-LINE CATALOG AT WWW.PANDUIT.COM FOR A LIST OF CURRENT PARTS APPLICABLE FOR USE WITH THIS PRODUCT.
2. DIMENSIONS IN [ ] ARE METRIC.
3. ALL MATERIALS AND COMPONENTS USED MEET THE MATERIAL RESTRICTIONS OF RoHS (EUROPEAN DIRECTIVE 2011/65/EU ON THE RESTRICTION OF HAZARDOUS SUBSTANCES) AS PROPOSED BY THE RoHS TECHNICAL ADAPTATION COMMITTEE.
4. WEIGHT: 1.6 LB [0.73 kg]
5. PART INCLUDES:  
 1- BONUS RU BRACKET  
 3- M5 X 12mm BUTTON HEAD SCREWS



|  |         |   |       |      |
|--|---------|---|-------|------|
| PART NUMBER  |         | WME61RU   |       |      |
| TITLE  |         | WME6 BONUS RU BRACKET   |       |      |
|  |         | CUSTOMER DRAWING  |       |      |
| ITEM REVISION NAME   |         | 00490EAG/00   |       |      |
| DATASET FILE NAME  |         | 00490EAG_DC/00A   |       |      |
|  THIRD ANGLE PROJECTION |         |  |       |      |
| MATERIAL   |         |   |       |      |
|  |         | DRAWING NUMBER  |       |      |
|  |         | 00490EAG-DC   |       |      |
| DRAWN BY   | DATE    | CHK   | SCALE | SIZE |
| TWV  | 5-19-20 | KZU   | 1:4   | A    |

|     |         |     |     |      |                        |          |
|-----|---------|-----|-----|------|------------------------|----------|
| 00A | 5-19-20 | TWV | KZU | BETL | RELEASED TO PRODUCTION | M09000L0 |
| REV | DATE    | BY  | CHK | APR  | DESCRIPTION            | ECN      |

A-SIZE CUSTOMER