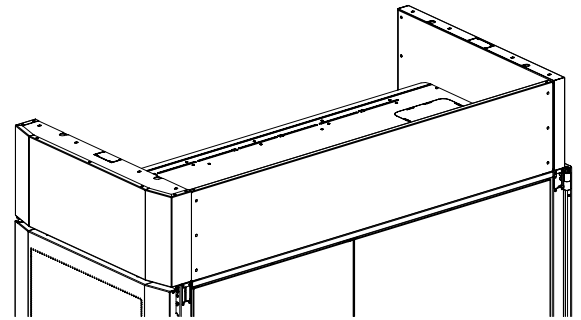
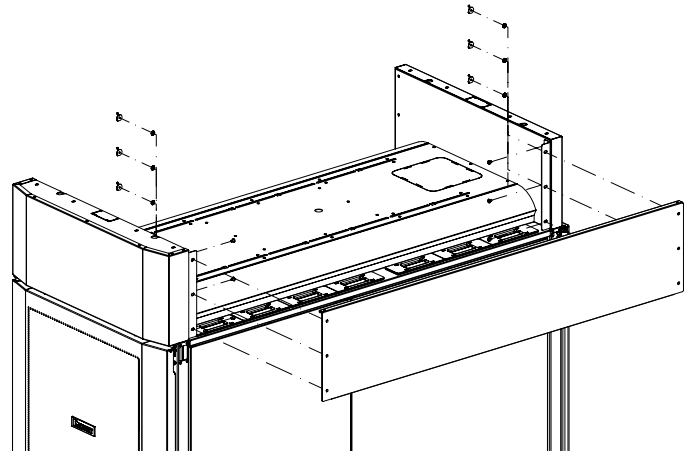


THIS COPY IS PROVIDED ON A RESTRICTED BASIS AND IS NOT TO BE USED IN ANY WAY DETRIMENTAL TO THE INTERESTS OF PANDUIT CORP.

PANDUIT PART NO.	WEIGHT
SN1200CREC	6.1 LBS/EACH 2.78 Kg/EACH



ASSEMBLED VIEW
CABINET NOT INCLUDED



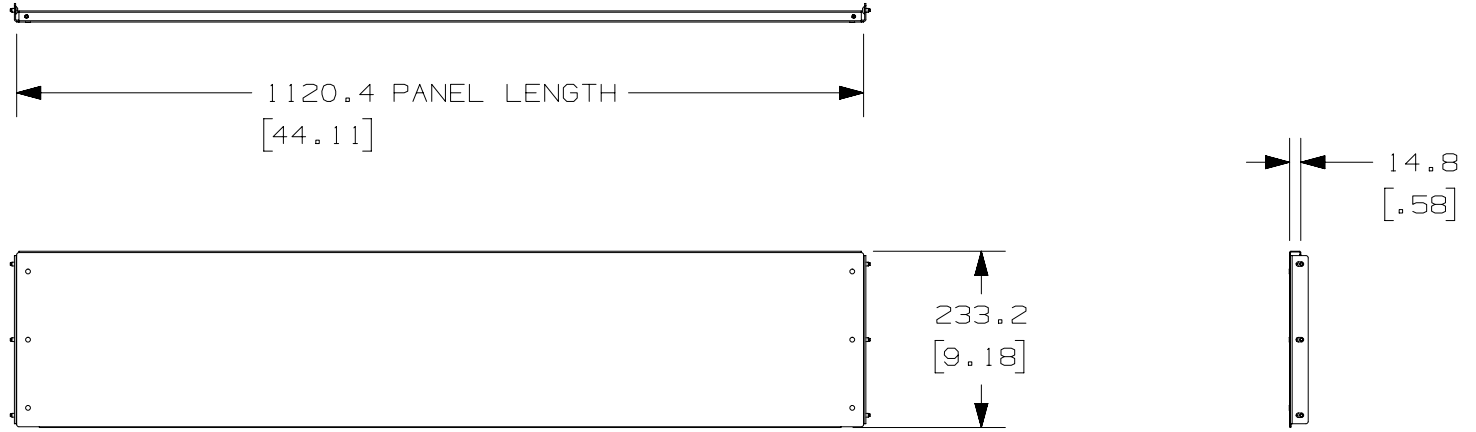
APPLICATION VIEW
CABINET NOT INCLUDED

1. VISIT OUR ON-LINE CATALOG AT WWW.PANDUIT.COM FOR A LIST OF CURRENT PARTS APPLICABLE FOR USE WITH THIS PRODUCT.
2. PRIMARY DIMENSIONS ARE METRIC (mm). DIMENSIONS IN PARENTHESES ARE IN INCHES (IN).
3. PARTS SUPPLIED:
1- 1200 END OF ROW PANEL
2- END OF ROW PANEL "L" BRACKET
1- HARDWARE KIT
1- INSTRUCTION SHEET
4. FULLY BONDED STRUCTURE WHEN ASSEMBLED PER INSTRUCTIONS.
5. COMPATIBLE WITH 1200mm DEEP NET-ACCESS N-TYPE AND S-TYPE CABINETS.
6. PART NUMBER SHOWN AS BLACK. ADD SUFFIX "W" FOR WHITE. "G" FOR GRAY.

00A	3-30-15	PBS	RAMA	TCN	RELEASED TO PRODUCTION			V09000II	
REV	DATE	BY	CHK	APR	DESCRIPTION			ECN	

TITLE		(SN1200CREC) NET-ACCESS N-TYPE AND S-TYPE CABINETS TOP OF CABINET CABLE MANAGER - END OF ROW PANEL	
CUSTOMER DRAWING			
ITEM REVISION NAME		09V094PD/00	
DATASET FILE NAME		09V094PD_DC/00A	
MATERIAL:		N/A	
DRAWING NUMBER:		09V094PD-DC	
DRAWN BY		DATE	CHK
PBS	3-30-15	RAMA	NONE
THIRD ANGLE PROJECTION		SCALE	SIZE
SHT 1 OF 2			A

THIS COPY IS PROVIDED ON A RESTRICTED BASIS AND IS NOT TO BE USED IN ANY WAY DETRIMENTAL TO THE INTERESTS OF PANDUIT CORP.



00A	3-30-15	PBS	RAMA	TCN	RELEASED TO PRODUCTION			V09000II	
REV	DATE	BY	CHK	APR	DESCRIPTION			ECN	

TITLE (SN1200CREC) NET-ACCESS N-TYPE AND S-TYPE CABINETS TOP OF CABINET CABLE MANAGER - END OF ROW PANEL			
CUSTOMER DRAWING			
ITEM REVISION NAME 09V094PD/00		PANDUIT	
DATASET FILE NAME 09V094PD_DC/00A			
		MATERIAL: N/A	
		DRAWING NUMBER: 09V094PD-DC	
DRAWN BY PBS	DATE 3-30-15	CHK RAMA	SCALE NONE
		SHT 2 OF 2	
		SIZE A	

D1101000DA/16