



Product Compliance

[For compliance documentation, visit the product page on TE.com>](#)

EU RoHS Directive 2011/65/EU	Compliant
EU ELV Directive 2000/53/EC	Not Yet Reviewed
China RoHS 2 Directive MIIT Order No 32, 2016	No Restricted Materials Above Threshold
EU REACH Regulation (EC) No. 1907/2006	Current ECHA Candidate List: JUNE 2022 (224) Candidate List Declared Against: JUL 2021 (219) Does not contain REACH SVHC
Halogen Content	Not Yet Reviewed for halogen content
Solder Process Capability	Not reviewed for solder process capability

Product Compliance Disclaimer

This information is provided based on reasonable inquiry of our suppliers and represents our current actual knowledge based on the information they provided. This information is subject to change. The part numbers that TE has identified as EU RoHS compliant have a maximum concentration of 0.1% by weight in homogenous materials for lead, hexavalent chromium, mercury, PBB, PBDE, DBP, BBP, DEHP, DIBP, and 0.01% for cadmium, or qualify for an exemption to these limits as defined in the Annexes of Directive 2011/65/EU (RoHS2). Finished electrical and electronic equipment products will be CE marked as required by Directive 2011/65/EU. Components may not be CE marked. Additionally, the part numbers that TE has identified as EU ELV compliant have a maximum concentration of 0.1% by weight in homogenous materials for lead, hexavalent chromium, and mercury, and 0.01% for cadmium, or qualify for an exemption to these limits as defined in the Annexes of Directive 2000/53/EC (ELV). Regarding the REACH Regulation, the information TE provides on SVHC in articles for this part number is based on the latest European Chemicals Agency (ECHA) 'Guidance on requirements for substances in articles' posted at this URL: <https://echa.europa.eu/guidance-documents/guidance-on-reach>

Compatible Parts

 <p>TE Part # 1SNA115236R1700 M6/8.ST</p>	 <p>TE Part # 1SNA115237R1000 M6/8.ST1</p>	 <p>TE Part # 1SNA115239R2200 M6/8.ST3</p>	 <p>TE Part # 1SNA115277R2000 M6/8.STP</p>
--	--	---	---



TE Part # 1SNA115359R0200
M6/8.STA



TE Part # 1SNA115500R2500
M6/8.STP3



TE Part # 1SNA115529R1500
M6/8.STP1



TE Part # 1SNA115914R0700
D6/8.ST.RS



TE Part # 1SNA115971R1000
M6/8.ST1.IP20



TE Part # 1SNA115831R0400
D6/8.ST1.RS.IP20

TE Part # 1SNA166525R1400
FIC-2/4-1

TE Part # 1SNA166529R2000
FIC-2/4-R

TE Part # 1SNA166546R2100
FIT-1/4-D

TE Part # 1SNA166547R2200
FIT-1/4-G

TE Part # 1SNA166550R0100
FIT-2/4-1

TE Part # 1SNA166555R2200
FIP-1/4-D

TE Part # 1SNA166556R2300
FIP-1/4-G

TE Part # 1SNA166559R0600
FIP-2/4-1

TE Part # 1SNA166644R0300
FIT-2/1-2

TE Part # 1SNA166672R0700
FIT-2/4-1

Customers Also Bought

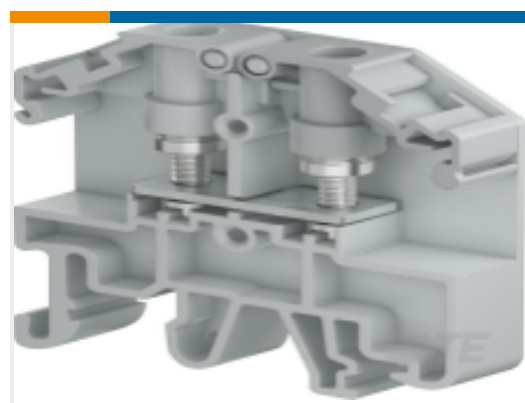


TE Part # 1SNK900102R0000
BAZH1

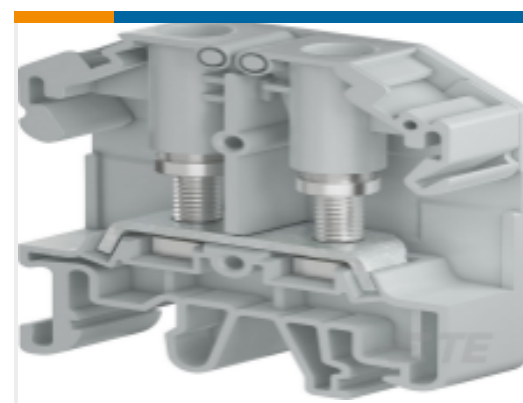
TE Part # 1SNA190018R2000
CPUF120

TE Part # 1SNA216114R1200
FEET80

TE Part # 1SNA280093R2600
CPE80



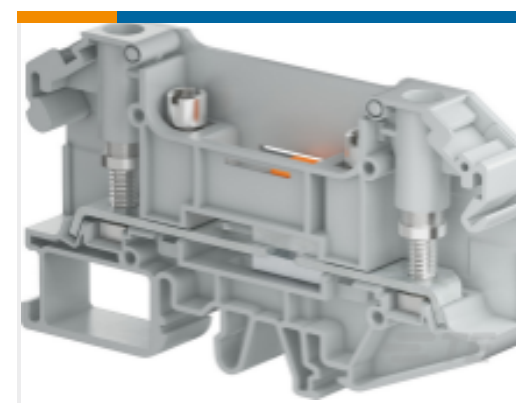
TE Part #1SNA510003R0000
RGW2.5-V0



TE Part #1SNA510024R0000
RGW6-V0



TE Part #1SNA511003R0500
RGW2.5-PE-V0



TE Part #1SNA512124R0000
RGW6-ST-1-V0



TE Part #1SNA519004R0000
E-RGW6



TE Part #1SNA519004R0100
E-RGW6-ST

Documents

Datasheets & Catalog Pages

[Catalogue - ENTRELEC terminal-blocks-sna-series](#)

English

[ESSAILEC Test Blocks](#)

French

[ESSAILEC Test Blocks Catalogue](#)

English

[ESSAILEC Test Blocks Catalogue](#)

German

[FC4-1-RD](#)

English

[ENTRELEC Terminal Block - Master Catalog](#)

English

[ENTRELEC Terminal Blocks Catalogue \(RUS\)](#)