

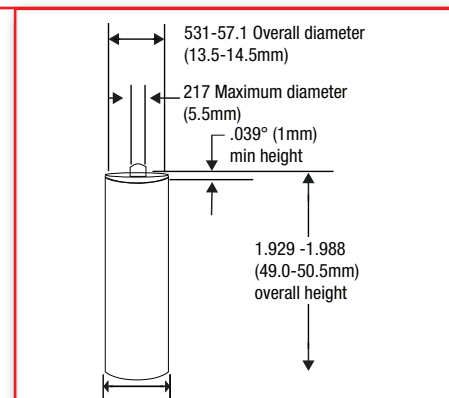


HEAVY DUTY BATTERY

R6 AA 1.5V

MAIN INFORMATION / INFORMATIONS GÉNÉRALES

SIZE	R6
BRAND NAME	MB SECURITY
TECHNOLOGY	Zinc-Manganese Dioxide
VOLTAGE	1.5V
NOMINAL HEIGHT	49.2~50.5mm
NOMINAL DIMENSION	13.5~14.5mm



ELECTRICAL CHARACTERISTICS

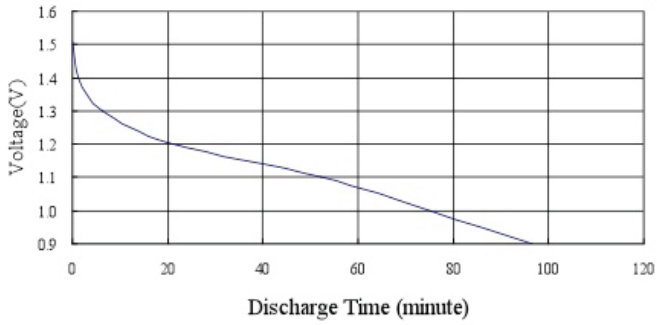
STORAGE CONDITION	INITIAL WITHIN 30 DAY	AFTER 12 MONTHS AT 20 ±2°C
Open-circuit voltage	1.660~1.725	1.640~1.700
3.9Ω continuous discharge End-point voltage : 0.9V	≥ 95min	≥ 85min
3.9Ω 1hour/day discharge End-point voltage : 0.8V	≥ 130min	≥ 105min
10Ω 1hour/day discharge End-point voltage : 0.9V	≥ 6.0h	≥ 5.5h
43Ω 1hour/day discharge End-point voltage : 0.9V	≥ 28h	≥ 23h

PACKING INFORMATION

PACK	PCS/BOX	PCS/CTN	SIZE/CNT (cm)	G.W/CNT (Kg)
R6P/2S	60	1200	30.8 x 18.3 x 27.3	18.0
R6P/4S	60	720	29.2 x 17.0 x 16.8	11.0
R6P/2B	40	480	32.5 x 22.0 x 14.4	8.0
R6P/5B	50	800	37.5 x 33.0 x 17.8	13.0

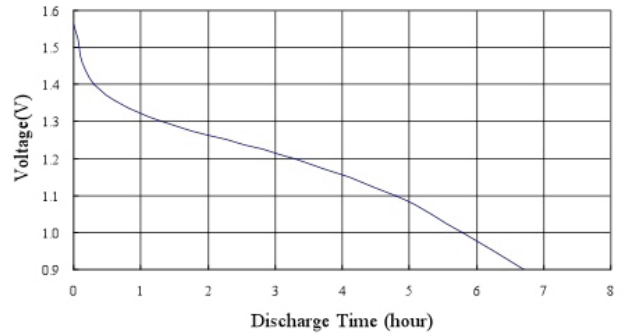
3.9Ω CONTINUOUS DISCHARGE

3.9Ω Continuous Discharge Curve



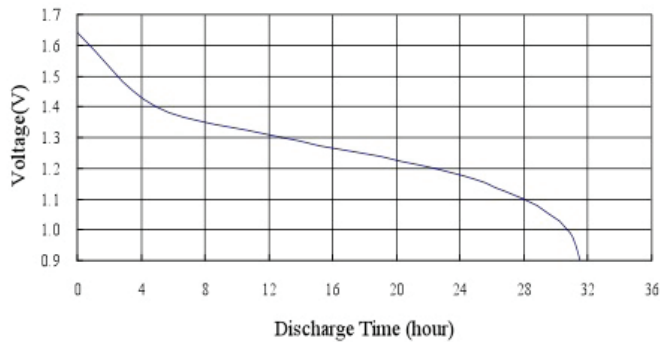
10Ω 1 HOUR/DAY DISCHARGE

10Ω 1hour/day Discharge Curve



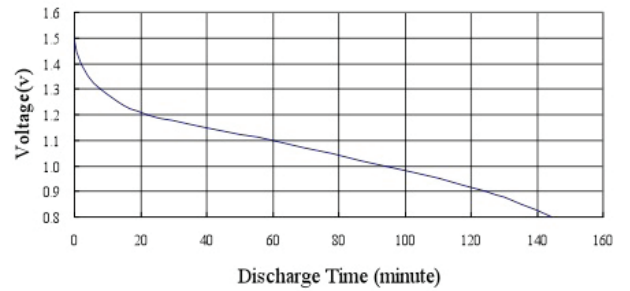
43Ω 4 HOUR/DAY DISCHARGE

43Ω 4hour/day Discharge Curve



3.9Ω 1 HOUR/DAY DISCHARGE

3.9Ω 1hour/day Discharge Curve



1.8Ω 24 HOUR/DAY DISCHARGE

1.8Ω 15s/minute,24hour/day Discharge Curve

