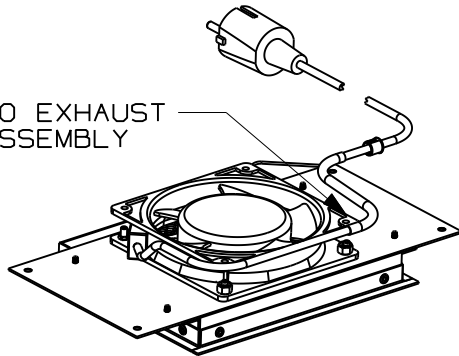


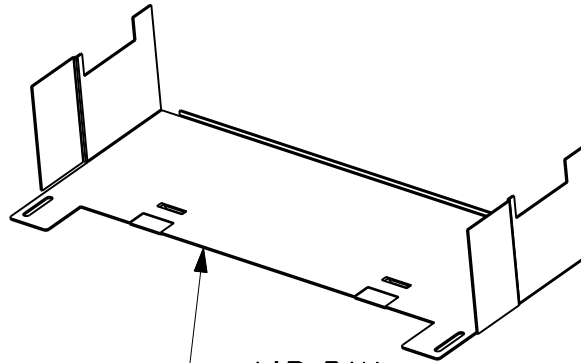
THIS COPY IS PROVIDED ON A RESTRICTED BASIS AND IS NOT TO BE USED IN ANY WAY DETRIMENTAL TO THE INTERESTS OF PANDUIT CORP.

PANDUIT PART NO.	WEIGHT
PZICFK-E	7.0 LB/EACH 3.2 kg/EACH

SCHUKO EXHAUST FAN ASSEMBLY



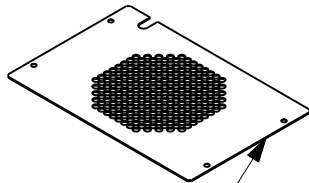
AIR DAM



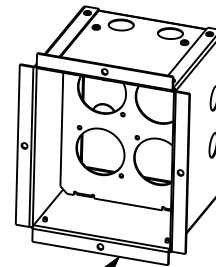
- VISIT OUR ONLINE CATALOG AT [WWW.PANDUIT.COM](http://WWW.PANDUIT.COM) FOR A CURRENT LIST OF PRODUCTS APPLICABLE FOR USE WITH PART.
- CONVERTS PASSIVE IN-CEILING ENCLOSURE (PZICE) TO AN ACTIVE IN-CEILING ENCLOSURE FOR EUROPEAN MARKETS.
- PART INCLUDES:
  - (1) SCHUKO 230 VOLT EXHAUST FAN ASSEMBLY
  - (1) AIR DAM
  - (1) FAN SCREEN PLATE
  - (1) SCHUKO ELECTRICAL JUNCTION BOX
  - (1) PACK OF (4) #10-32 X 3/8" SCREWS
  - (1) PACK OF (4) #6-32 X 1/4" SCREWS
- FAN RATING:
  - VOLTAGE: 230V AC
  - CFM: 61 CFM
  - CE MARKED FOR EU LVD



FAN SCREEN PLATE



SCHUKO ELECTRICAL JUNCTION BOX



MODEL FILENAME	V10447AE/02
CAD FILENAME/LAYERS	V10447AE_DC/02A

PANDUIT CORP. TINLEY PARK, ILLINOIS  
EUROPEAN FAN KIT (PZICFK-E)  
CUSTOMER DRAWING

UNLESS OTHERWISE SPECIFIED, DIMENSIONAL TOLERANCES ARE:  
 INCHES: X.X +/- 0.03, X.XX +/- 0.015, X.XXX +/- 0.005  
 [METRIC - MILLIMETER] ANGLE: X +/- 0.8, X.X +/- 0.4, X.XX +/- 0.13, +/- 1°  
 UNLESS OTHERWISE SPECIFIED, ALL DIMENSIONS ARE GIVEN IN INCHES, THIRD ANGLE PROJECTION.

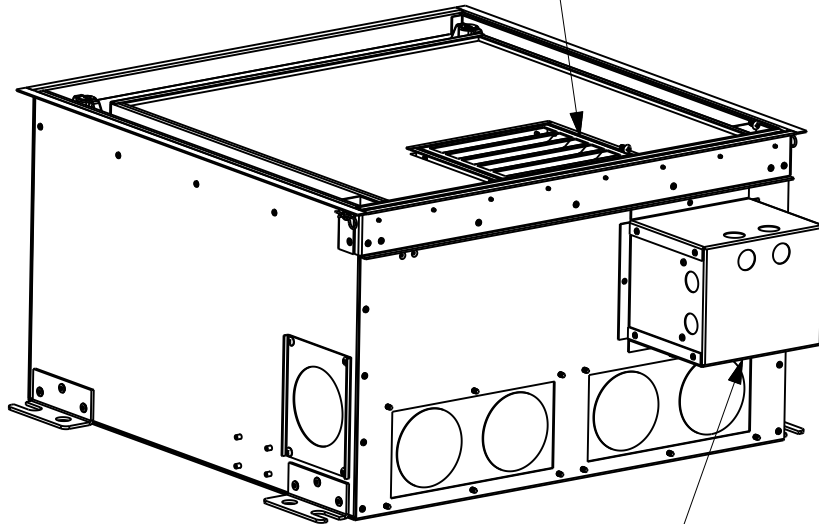
REV	DATE	BY	CHK	DESCRIPTION	ECN	R	CUST	SUP	OTH
O2A	11-15-12	RYB	BAME	A: ADDED FAN RATING	V10447AE-DC				
O1A	11-20-08	BAME		RELEASED TO PRODUCTION	V10447AE-DC				

DRAWN BY	BAME	MAT'L:	SEE NOTES	SCALE	NONE
DATE	11-20-08			DRAWING NO.	V10447AE-DC
CHK'D	BAME			SHEET 1 OF 2	
				DWG SIZE	A

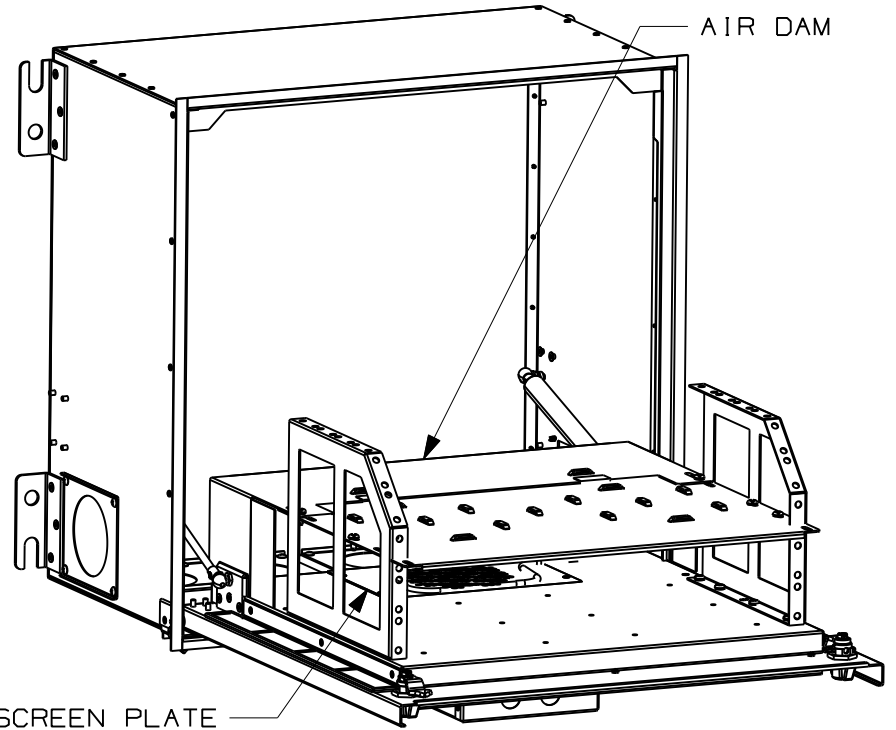
THIS COPY IS PROVIDED ON A RESTRICTED BASIS AND IS NOT TO BE USED IN ANY WAY DETRIMENTAL TO THE INTERESTS OF PANDUIT CORP.

EUROPEAN FAN KIT SHOWN ASSEMBLED  
(ENCLOSURE NOT INCLUDED)

SCHUKO EXHAUST FAN ASSEMBLY



SCHUKO ELECTRICAL JUNCTION BOX



FAN SCREEN PLATE

MODEL FILENAME	V10447AE/02
CAD FILENAME/LAYERS	V10447AE_DC/02A

REV	DATE	BY	CHK	DESCRIPTION	ECN	R	CUST	SUP	OTH
O2A	11-16-12	RYB		SEE PAGE 1 FOR REVISIONS	V10447AE-DC				
O1A	11-20-08	BAME		SEE PAGE 1 FOR REVISIONS	V10447AE-DC				

**PANDUIT** CORP. TINLEY PARK, ILLINOIS  
EUROPEAN FAN KIT (PZICFK-E)  
CUSTOMER DRAWING

UNLESS OTHERWISE SPECIFIED, DIMENSIONAL TOLERANCES ARE:		UNLESS OTHERWISE SPECIFIED,	
INCHES	[METRIC - MILLIMETER]	ALL DIMENSIONS ARE GIVEN	
X.X +/- 0.03	X +/- 0.8	IN INCHES, THIRD ANGLE PROJECTION.	
X.XX +/- 0.015	X.X +/- 0.4		
X.XXX +/- 0.005	X.XX +/- 0.13		
ANGLE			
		+/- 1°	
DRAWN BY	MAT'L:	SCALE	
BAME		NONE	
DATE	SEE NOTES	DRAWING NO.	
11-20-08		V10447AE-DC	
CHK'D		SHEET 2 OF 2	
		DWG SIZE	
		A	