


22260016	DATA SHEET	
Valid from: 18.11.2019	AB-B8-M12-16-5,0PUR	

Description

- Sensor/actuator box
- Connection methods: rapid interlock without LED master cable, markers and double-assigned slots
- slots: 8, cable length: 5 m



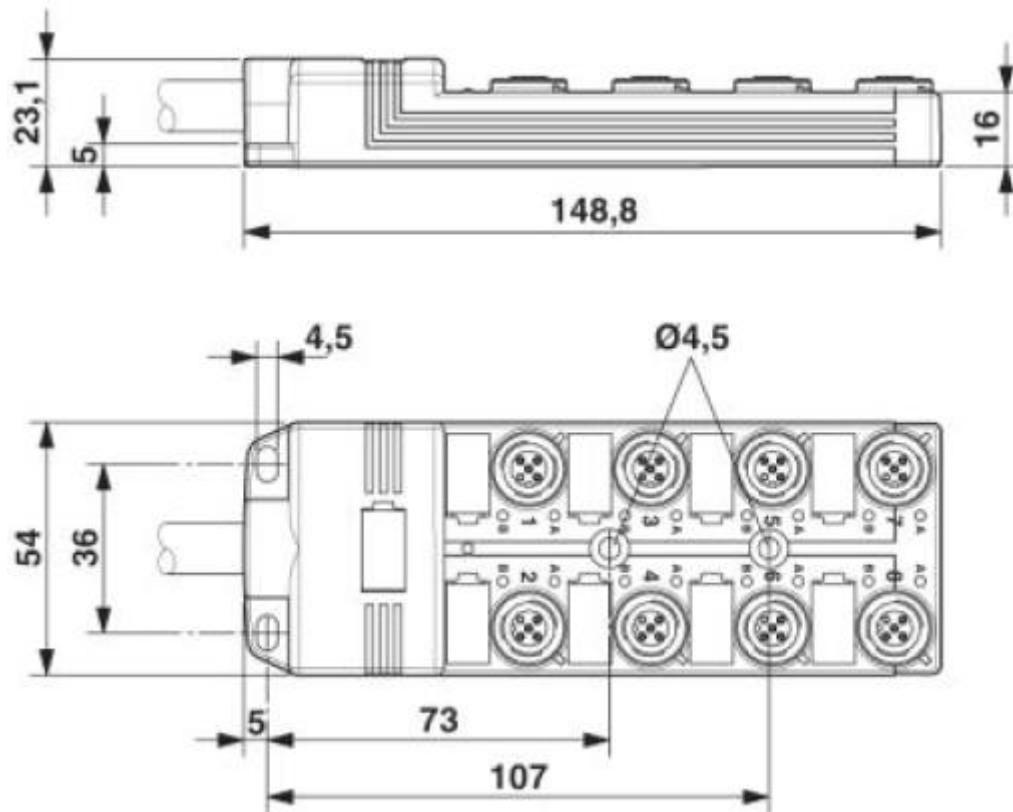
Number of slots:	8
Nominal voltage U _N :	120 V
Max. current carrying capacity per path:	2 A
Total current:	±12 A
Connection type:	Individual wires
Current carrying capacity per slot:	4 A
Number of poles:	5
Degree of protection:	IP65/IP67
Ambient temperature:	-25°C to +80°C (-13°F to +176°F)
Status display:	no
Inflammability class acc. to UL 94:	V0
Contact surface material:	Gold-plated
Material, O-ring:	NBR
Material of the moulding mass:	PUR
Material of threaded sleeve:	Zinc die-cast
Material of threaded sleeve surface:	Nickel-plated
Tightening torque slot sensor/actuator cable:	0.4 Nm
Tightening torque screw plug:	0.5 Nm

Conductor data

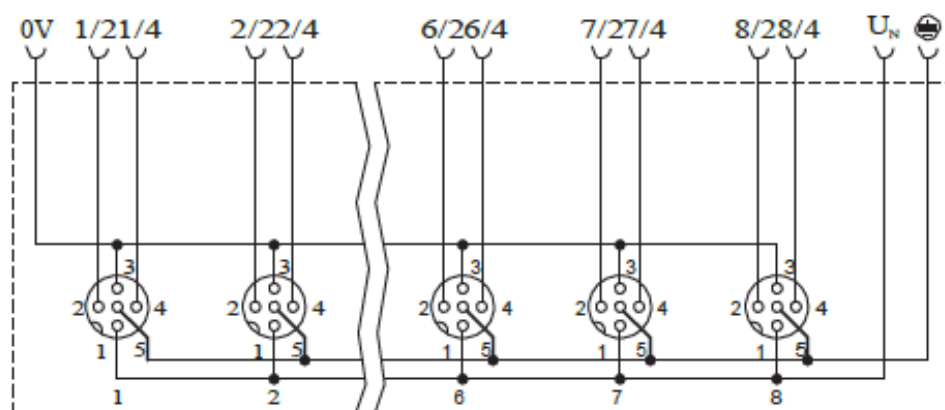
Cable types:	Master cable suitable for flexible cable conduit
Outer diameter:	10.5 mm
Conductor structure, voltage supply:	56x0.15 mm
Conductor structure, signal line:	28x0.15 mm
AWG power supply:	17
AWG signal line:	20
Power supply cross section:	3x1mm ²
Signal line cross section:	16x0.5 mm ²
Max. bending cycles:	1500000
Traversing path:	2 m
Traversing rate:	2 m/s


Creator: FELI1/PDP Released: IVSE1/PDP	Document: DB22260016EN Version: 04	Page 1 of 3
---	---------------------------------------	-------------

Technical drawing

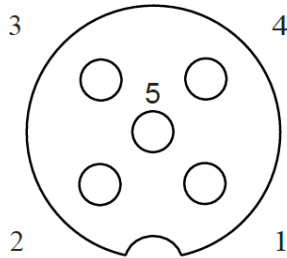


Circuit diagram



22260016	DATA SHEET	
Valid from: 18.11.2019	AB-B8-M12-16-5,0PUR	

Schema drawings



Pin assignment

Slot/ position = Wire color or connection

1 / 4 (A) = WH
1 / 2 (B) = GY/PK
2 / 4 (A) = GN
2 / 2 (B) = RD/BU
3 / 4 (A) = YE
3 / 2 (B) = WH/GN
4 / 4 (A) = GY
4 / 2 (B) = BN/GN
5 / 4 (A) = PK
5 / 2 (B) = WH/YE
6 / 4 (A) = RD
6 / 2 (B) = YE/BN
7 / 4 (A) = BK
7 / 2 (B) = WH/GY
8 / 4 (A) = VT
8 / 2 (B) = GY/BN
1-8 / 1 (+ 120 V) = BN
1-8 / 3 (0 V) = BU
1-8 / 5 (PE) = GN/YE

Application range

Automation, industrial machinery and plant engineering

Note

Photographs are not true to scale and do not represent detailed images of the respective products.

Creator: FELI1/PDP Released: IVSE1/PDP	Document: DB22260016EN Version: 04	Page 3 of 3
---	---------------------------------------	-------------