

Product designation				Rotary cam switches	
Product type designation				7GN25	
General characteristics					
Switching diagram				68 - Voltmeter switch for phase-neutral voltages	
N° of elements				2	
Mounting form				O - Rear mounting with black handle	
Contact characteristics					
Rated insulation voltage U_i	IEC/EN	V	690		
	UL/CSA	V	600		
Rated impulse withstand voltage U_{imp}			kV	6	
Conventional free air thermal current I_{th}	IEC/EN	A	25		
	UL/CSA	A	30		
Rated operational voltage			V	480	
Rated operational impulse voltage			kV	4	
Maximum fuse size for short-circuit protection I_n (gG)	10kA	A	25		
	15kA	A	25		
	25kA	A	25		
Rated short time current I_{cw}			1s	A	
				400	
Conductivity				10/5 mA/V	
Operational current I_e IEC/EN	AC1/AC21A		A	25	
	AC15				
		110V	A	16	
		220/230V	A	12	
		380/400V	A	8	
		660/690V	A	2	
Rated operational power in AC	Three-phase AC-3				
			220/230V	kW	5.5
			380/440V	kW	7.5
			500/690V	kW	7.5
	Single-phase AC-3				
			110V	kW	1.5
			220/230V	kW	3
			380/440V	kW	5.5
	Three-phase AC23A				
			220/230V	kW	6.5
			380/440V	kW	11
			500/690V	kW	11
Single-phase AC23A					
		110V	kW	1.5	
		220/230V	kW	3.7	
		380/440V	kW	5.5	

Rated operational current in DC

DC21A

48V	A	25
60V	A	25
110V	A	4
220V	A	0.7

DC23A (poles in series)

24V	A	25 (1)
48V	A	25 (2)
60V	A	25 (3)
110V	A	12 (3)
220V	A	10 (4)

DC13

24V	A	25
48V	A	20
60V	A	16
110V	A	1.5
220V	A	0.4

Power dissipation

W 1.1

Mechanical features

Terminals screw

M3.5

Tightening torque for terminals max

Nm 0.8

Conductor size

AWG - Rigid cable

min	AWG	20
Max	AWG	10

AWG - Flexible cable

min	AWG	20
Max	AWG	12

Conductor size (IEC) - Flexible cable

min	mm ²	0.5
Max	mm ²	4

Conductor size (IEC) - Rigid cable

min	mm ²	0.5
Max	mm ²	4

Mechanical life

cycles 5x10⁶

UL technical data

Motor power for direct-on-line control

for three-phase motor

120V	HP	3
240V	HP	5
480V	HP	10
600V	HP	15

for single-phase motor

120V	HP	1.5
240V	HP	3

Ambient conditions

Temperature

Operating temperature

min	°C	-25
max	°C	+55

Storage temperature

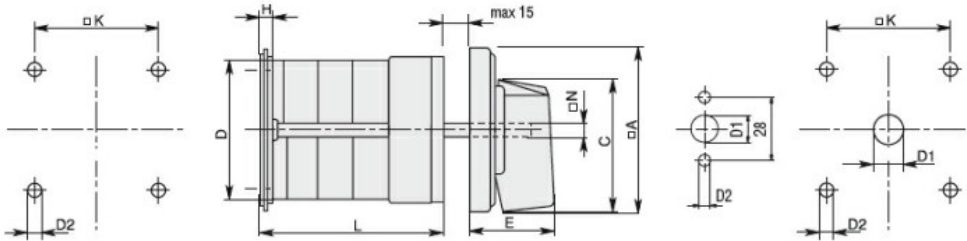
min	°C	-40
max	°C	+70

Resistance & Protection

Frontal IP degree IP40

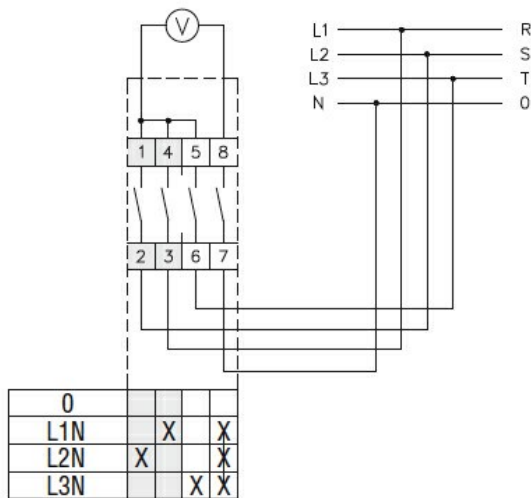
Terminals IP degree IP00

Dimensions



Series	Dimensions								L Number of elements											
	ØA	C	ØD	ØD2	E	H	ØK	ØN	1	2	3	4	5	6	7	8	9	10	11	12
7GN12	48	39.5	39	5	26.5	5	36	6	38.1	47.8	57.5	67.2	76.9	86.6	96.3	106	115.7	125.4	135.1	144.8
7GN20	48	39.5	39	5	26.5	5	36	6	38.1	47.8	57.5	67.2	76.9	86.6	96.3	106	115.7	125.4	135.1	144.8
7GN25	48	39.5	43	5	26.5	5	36	6	42.5	56.1	69.7	83.3	96.9	110.5	124.1	137.7	151.3	164.9	178.5	192.1
7GN32	65	53	58	5	34.5	5.5	48	7	48.5	63.6	78.7	93.8	108.9	124	139.1	154.2	169.3	184.4	199.5	214.6
7GN40	65	53	58	5	34.5	5.5	48	7	48.5	63.6	78.7	93.8	108.9	124	139.1	154.2	169.3	184.4	199.5	214.6
7GN63	65	53	62	6	34.5	7.5	68	7	53.3	71.4	89.5	107.6	125.7	143.8	161.9	180	198.1	216.2	234.3	252.4
7GN125	90	70.5	86	6	41.4	7.5	68	9	74.8	103.9	133	162.1	191.2	220.3	249.4	278.5	307.6	336.7	365.8	394.9

Wiring diagrams



Certifications and compliance

Compliance

- CSA C22.2 n° 14
- IEC/EN/BS 60947-1
- IEC/EN/BS 60947-3
- IEC/EN/BS 60947-5-1
- UL60947-4-1

Certificates

- cCSAus
- EAC
- UL

ETIM classification

ETIM 8.0

EC001029 -
Selector switch,
complete