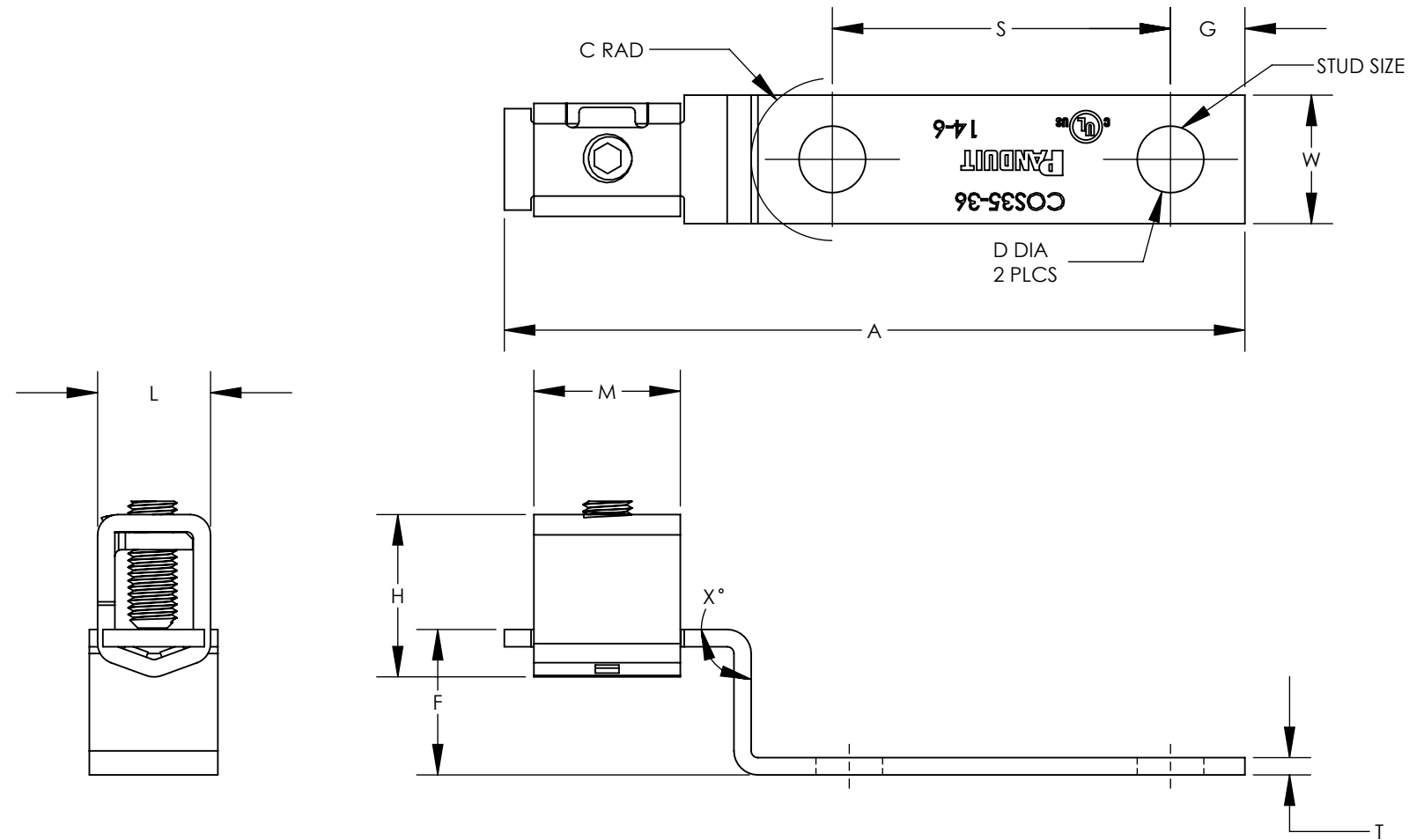


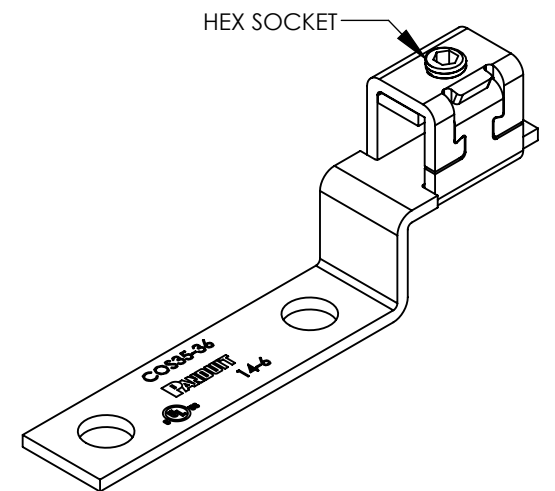
THIS COPY IS PROVIDED ON A RESTRICTED BASIS AND IS NOT TO BE USED IN ANY WAY DETRIMENTAL TO THE INTERESTS OF PANDUIT CORP.

NOTES:

1. MATERIAL:
BODY - COPPER
SCREW - STEEL, ZINC PLATED
2. TWO PIECE FLOATING TONGUE ASSEMBLY.
3. cULus LISTED FOR USE UP TO 600V AND TEMPERATURE RATED 90 °C
4. RATED FOR USE WITH COPPER STRANDED CODE CONDUCTOR ONLY
5. THESE PARTS ARE RoHS COMPLIANT
6. PKG. QTY.: Q = 25



| PANDUIT PART NUMBER | STRANDED COPPER WIRE RANGE | SCREW TORQUE IN-LB [N.m] | STUD SIZE (IN) | DIMENSIONS - IN [mm] ± .03 [0.8] | | | | | | | | | | | | SCREW STYLE |
|---------------------|----------------------------|--|----------------|----------------------------------|------------|-------------|-------------|-------------|-------------|-------------|------------|-------------|-------------|------------|---------------|------------------|
| | | | | D DIA | G | W | S | F±.05[1.3] | A±.05[1.3] | M | T | H | L | C (REF) | X° ± 5° (REF) | |
| COS35-36-Q | 14 AWG - 6 AWG | 13 IN-LB [1.5 N.m] | 3/16" | 0.20 [5.0] | 0.22 [5.6] | 0.39 [9.9] | 1.00 [25.4] | 0.43 [10.9] | 2.23 [56.6] | 0.47 [11.9] | 0.06 [1.5] | 0.55 [14.0] | 0.36 [9.1] | 0.24 [6.1] | 90 | 5/64" HEX SOCKET |
| COS70-14-Q | 8 AWG - 2 AWG | 8 AWG = 20 IN-LB [2.3 N.m] 6 AWG = 23 IN-LB [2.6 N.m] 4-2 AWG = 35 IN-LB [4.0 N.m] | 1/4" | 0.26 [6.6] | 0.25 [6.4] | 0.50 [12.7] | 1.00 [25.4] | 0.64 [16.3] | 2.48 [63.0] | 0.53 [13.5] | 0.08 [2.1] | 0.65 [16.6] | 0.46 [11.6] | 0.35 [8.8] | 85 | 1/8" HEX SOCKET |



| REV | DATE | BY | CHK | APR | DESCRIPTION | ECN |
|-----|-------|------|-----|------|--|--------|
| 02 | 9/21 | JHNU | TMR | JADE | ADDED REFERENCE ANGLE DIMENSION X COS70-14-Q DIMENSION F: .64 +/--.05 WAS .55 +/--.03 | 106551 |
| 01 | 3/21 | JHNU | TMR | JADE | COS70-14-Q RELEASED | 098721 |
| 00 | 10/20 | JHNU | TMR | ALP | DRAWING RELEASED | 089914 |

| | | | | | | |
|---|-----------------------|--|-------|--------------|--|------------------|
| TITLE | | COS SERIES COPPER MECHANICAL LUGS | | | | |
| CUSTOMER DRAWING | | | | | | |
| ITEM REVISION NAME | 14J226CR/02 | PANDUIT | | | | |
| DATASET FILE NAME | 14J226CR-DC/02.SLDDRW | | | | | |
| UNLESS OTHERWISE SPECIFIED, DIMENSIONAL TOLERANCES ARE: IN [mm] | | SEE NOTES | | | | |
| .X ± | .XXX ± | | | | | |
| .XX ± | ANGLES ± | DRAWING NUMBER 14J226CR-DC | | | | |
| THIRD ANGLE PROJECTION | | | | | | |
| DRAWN BY | DATE | CHK | SCALE | SHEET 1 OF 1 | | SIZE B |
| JHNU | 10/20 | TMR | N/A | | | |