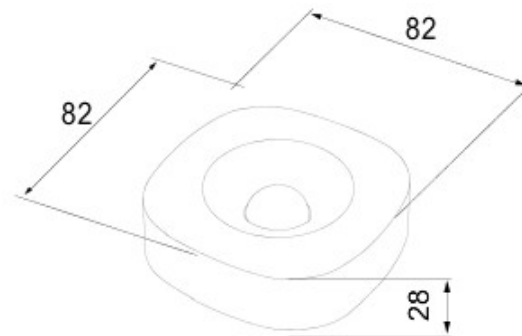




A system of command and control wireless devices based on Zigbee technology that offers innovative solutions for the renovation of buildings, minimizing the structural interventions. Zigbee is a safe and reliable system because the data exchanged are encrypted and every node of the network always ensures reachability among all the devices (mesh network). The Zigbee devices enrich the range of home&building automation solutions by Gewiss and can be managed via App, with smartphone and tablet, through the Smart Gateway.

Catégorie	Motion sensor	Couleur	Blanc
Protocole de communication	Zigbee (IEEE 802.15.4)	Tension d'alimentation	Alimenté par batterie
Piles d'alimentation	CR123 replaceable	Output power	3 dBm
Détecteur de luminosité	3...70.000 lux	Portée maximale	6 m
Horizontal bearing angle	± 45°	Vertical bearing angle	± 45°
Capteur de température	0...50 °C	Norme	2014/53/EU, EN 60669-2-1, ETSI EN 300 328
Indice de protection	IP30	Température de fonctionn.	0 ÷ +50 °C
Température de stockage	-20 ÷ +80 °C	Relative humidity (non-condensative)	10 ÷ 95%
Dimensions LxHxP (mm)	82x82x28	Electrocod	051A

DIMENSIONS



SYMBOLE TECHNIQUE

IP

IP30

NORMES ET HOMOLOGATIONS

