

Product designation	Enclosed rotary cam switch		
Product type designation	7GN40		
General characteristics			
Switching diagram	26 - 3-phase motor reversing switch with spring return		
N° of elements	3		
Mounting form	P - Plastic enclosure with black handle		
Contact characteristics			
Rated insulation voltage U_i	IEC/EN	V	690
	UL/CSA	V	600
Rated impulse withstand voltage U_{imp}		kV	6
Conventional free air thermal current I_{th}	IEC/EN	A	40
	UL/CSA	A	50
Rated operational voltage		V	480
Rated operational impulse voltage		kV	4
Maximum fuse size for short-circuit protection I_n (gG)	10kA	A	40
	15kA	A	40
	25kA	A	40
	50kA	A	40
	63kA	A	40
Rated short time current I_{cw}		1s	A
			1000
Conductivity			10/5 mA/V
Operational current I_e IEC/EN	AC1/AC21A		A
			40
AC15	110V	A	25
	220/230V	A	22
	380/400V	A	12
	660/690V	A	2
Rated operational power in AC	Three-phase AC-3		
	220/230V	kW	8
	380/440V	kW	15
	500/690V	kW	15
	Single-phase AC-3		
	110V	kW	3
	220/230V	kW	6.5
	380/440V	kW	8
	Three-phase AC23A		
	220/230V	kW	8
	380/440V	kW	18.5
	500/690V	kW	22
Single-phase AC23A			

ENCLOSED ROTARY CAM SWITCH 7GN SERIES, 3-PHASE MOTOR REVERSING SWITCH WITH SPRING RETURN 40A IN PLASTIC ENCLOSURE 110X110MM WITH BLACK HANDLE

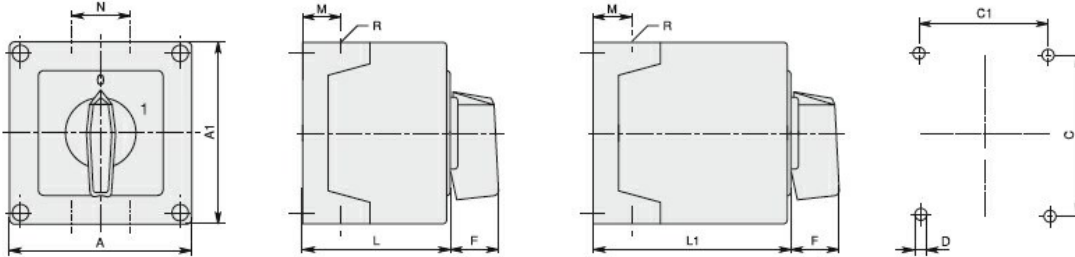
	110V	kW	3
	220/230V	kW	6
	380/440V	kW	11
<hr/>			
Rated operational current in DC			
DC21A			
	48V	A	40
	60V	A	40
	110V	A	6
	220V	A	0.9
<hr/>			
DC23A (poles in series)			
	24V	A	40 (1)
	48V	A	40 (2)
	60V	A	40 (3)
	110V	A	20 (3)
	220V	A	12 (4)
<hr/>			
DC13			
	24V	A	40
	48V	A	32
	60V	A	16
	110V	A	3
<hr/>			
Power dissipation		W	2.0
Mechanical features			
Terminals screw			M4
Tightening torque for terminals max		Nm	1.2
<hr/>			
Conductor size			
AWG - Rigid cable			
	min	AWG	16
	Max	AWG	8
<hr/>			
AWG - Flexible cable			
	min	AWG	16
	Max	AWG	10
<hr/>			
Conductor size (IEC) - Flexible cable			
	min	mm ²	1.5
	Max	mm ²	6
<hr/>			
Conductor size (IEC) - Rigid cable			
	min	mm ²	1.5
	Max	mm ²	10
<hr/>			
Mechanical life		cycles	5x10 ⁶
UL technical data			
Motor power for direct-on-line control			
for three-phase motor			
	120V	HP	5
	240V	HP	10
	480V	HP	20
	600V	HP	20
<hr/>			
for single-phase motor			
	120V	HP	2
	240V	HP	5
<hr/>			
Ambient conditions			
Temperature			
Operating temperature			
	min	°C	-25
	max	°C	+55
<hr/>			
Storage temperature			

min °C -40
max °C +70

Resistance & Protection

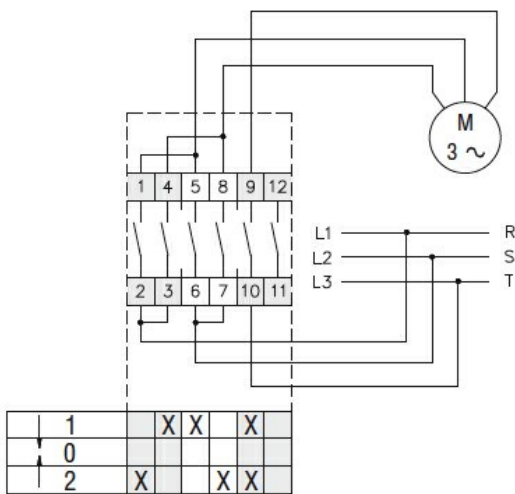
Frontal IP degree	IP65
Terminals IP degree	IP00

Dimensions



Series	Enclosure size	Number of elements		Dimensions										Cable entry	Protection degree
		L	L1	A	A1	C	C1	D	F	M	N	L	L1		
7GN12	75x75	1-2	3-4	75	75	50	64	4.5	19	14	28	57.5	79.8	4xPG13.5	IP65
7GN20		1-2	3-4												
7GN25		1	2-3												
7GN12	90x90	1-3	4-6	90	90	79	63	4.5	25	19	30	71.3	98.3	4xPG16	IP65
7GN20		1-3	4-6												
7GN25		1-2	3-4												
7GN32		1-2	3-4												
7GN40		1	2-3												
7GN12	110x110	1-4	5-8	110	110	98.4	83	4.5	32	21	39.5	85.5	119.5	4xPG21	IP65
7GN20		1-4	5-8												
7GN25		1-3	4-5												
7GN32		1-3	4-5												
7GN40		1-2	3-5												
7GN63	1-2	3-4													
7GN32	125x175	1-3	4-5	125	175	146	112	5.5	32	21	68	84.3	118.3	4xPG21 2xPG11	IP65
7GN40		1-2	3-4												
7GN63		1-2	3-4												
7GN125		1	2												
7GN32	180x254	1-5	6-8	180	254	120	190	5.5	32	35	76	121	175	4xPG29 2xPG11	IP65
7GN40		1-4	5-7												
7GN63		1-3	4-6												
7GN125		1-2	3-4												

Wiring diagrams



Certifications and compliance

Compliance

IEC/EN/BS 60947-1
IEC/EN/BS 60947-3
IEC/EN/BS 60947-5-1

Certificates

EAC

ETIM classification

ETIM 8.0

EC001029 -
Selector switch,
complete