

Part number

CJZAX 8 IA4



CJZ connectors series, female RJ45 angled coupler, 8-way, Cat. 5 Ethernet, in angled metal enclosure size "21.21" , with 1 lever

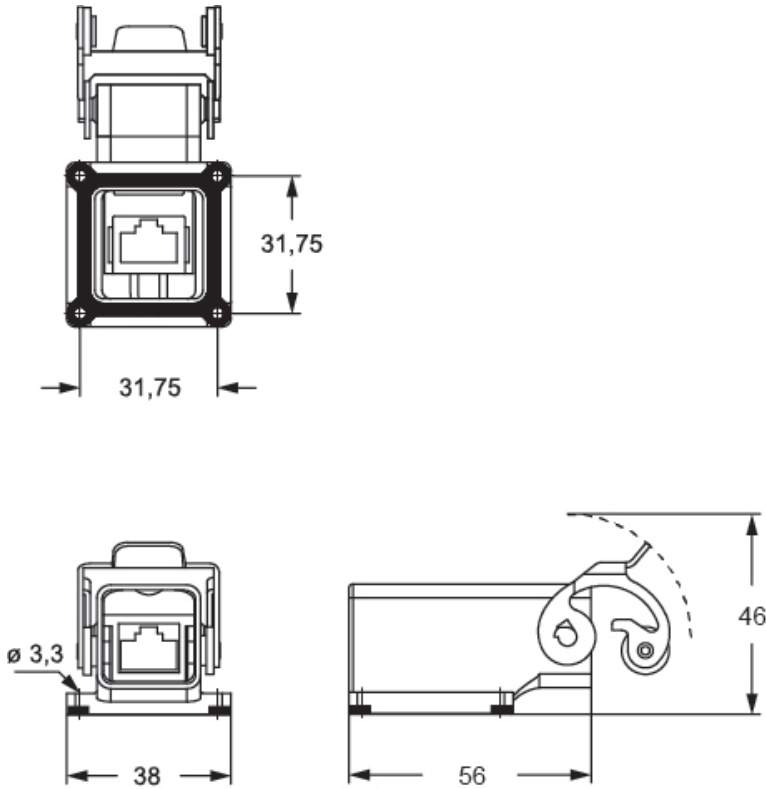
Product description		Material properties	
Product type	Data connector	Main material	Zinc alloy
Series	CJZ connectors		Lever: stainless steel
Connection type	RJ45	Other materials	Gasket: rubber
Gender	Female		Connector: nickel plated brass, polyamide (PA), FR4
Size	Size "21.21"	Colour	RAL 7040 grey
Specification	In angled metal enclosure with stainless steel lever 8 data contacts, Cat.5 Ethernet	RoHs conformity	Compliant with exemption 6(c): copper alloy containing up to 4% lead by weight
Technical data		China RoHs - EFUP	50
Current	2 A	REACH SVHC substances	Yes
Voltage	50 V		Lead
IP degree of protection	IP66 / IP67 / IP69	SCIP number	07fb8783-8542-470e-90c3-3a9412d7ab25
Further technical details		General ordering information	
Weight	106,50 g	EAN13 code	8015747280693
Operating temperature range (min, max)	-40°C ... +120°C	eCl@ss 8.1	19170125
UL 94 flammability rating	V-0	ETIM 7.0	EC001121
		Packaging Information	
		Packaging description	Carton box
		Packaging quantity	100 Pcs
		Packaging EAN code	8015747280709
		Sub-packaging length	210,00 mm
		Sub-packaging height	40,00 mm
		Sub-packaging width	175,00 mm
		Sub-packaging volume	1,47 dm ³
		Sub-packaging description	Carton box
		Sub-packaging quantity	10 Pcs
		Sub-packaging EAN barcode	8015747280716

Part number

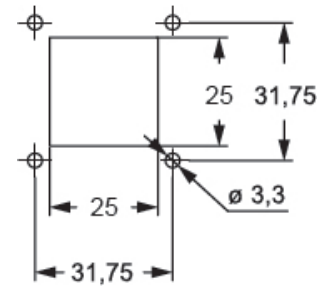
CJZAX 8 IA4



Catalogue drawings



Catalogue drawings



Notes

California Proposition 65 Information



WARNING

This product can expose you to nickel compounds, known to the State of California to cause cancer and/or reproductive toxicity. For more information go to www.P65Warnings.ca.gov.