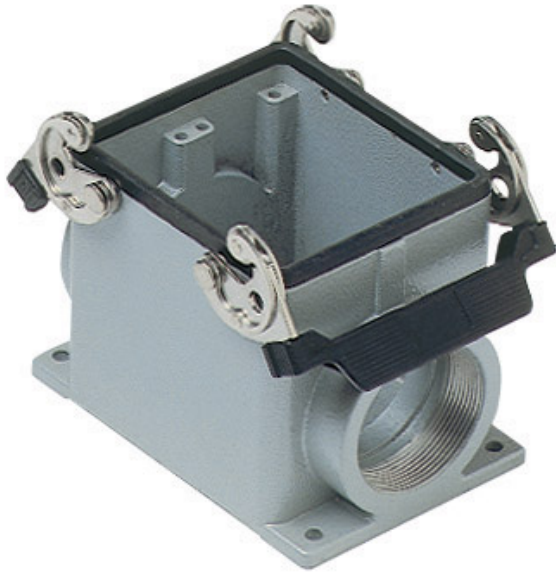


Part number

CHP 32.42



Surface mounting housing, C-TYPE series, with 2 levers, Pg42 cable entry, size "77.62"

Product description		Material properties	
Product type	Surface mounting housing	Other materials	Lever: Stainless steel, polyamide (PA) Gasket: NBR
Series	C-TYPE	Colour	RAL 7040 grey
Closing type	With 2 levers	RoHs conformity	Compliant
Size	Size 77.62	China RoHs - EFUP	E
Cable entry	With cable entry Pg42	REACH SVHC substances	No
Technical data		Approvals / Standards	
IP degree of protection	IP65 / IP66 / IP69	Certifications	DNV, BV
Further technical details		UL	ECBT2
Weight	760,00 g	cUL	ECBT8
Operating temperature range (min, max)	-40°C...+125°C	General ordering information	
		EAN13 code	8015747023078
		Packaging Information	
		Packaging length	475,00 mm
		Packaging height	200,00 mm
		Packaging width	150,00 mm
		Packaging weight	3,34 kg
		Packaging volume	14,25 dm ³
		Packaging description	Carton box
		Packaging quantity	4 Pcs
		Packaging EAN code	8015747140843
		Sub-packaging length	116,00 mm
		Sub-packaging height	113,00 mm
		Sub-packaging width	142,00 mm
		Sub-packaging weight	0,84 kg
		Sub-packaging volume	1,86 dm ³
		Sub-packaging description	Carton box
		Sub-packaging quantity	1 Pcs
		Sub-packaging EAN barcode	8015747023085

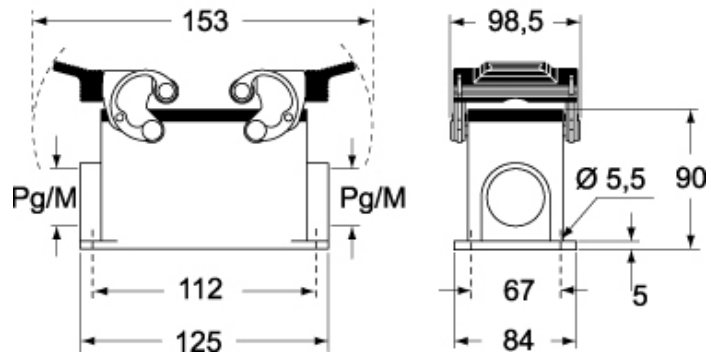
Part number

CHP 32.42



Catalogue drawings

CHP - MHP



Notes

Dimensions shown in mm are not binding and may be changed without notice.