



# ALKALINE BATTERY NX-POWER PLUS

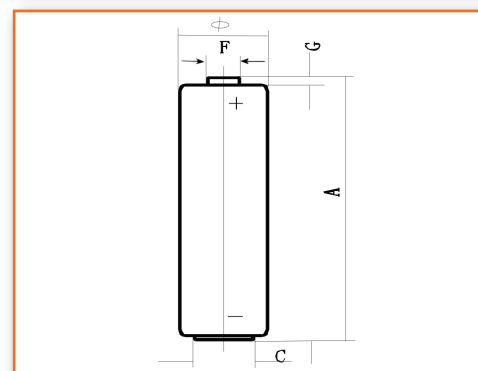
## PILE ALCALINE NX-POWER PLUS

### MAIN INFORMATION / INFORMATIONS GÉNÉRALES

|                             |                           |                         |
|-----------------------------|---------------------------|-------------------------|
| SIZE                        | FORMAT                    | LR03 - AAA              |
| BRAND                       | MARQUE                    | NX                      |
| TECHNOLOGY                  | TECHNOLOGIE               | Alkaline / Alcaline     |
| CHEMICAL SYSTEM             | SYSTÈME CHIMIQUE          | Zn/MnO <sub>2</sub>     |
| VOLTAGE                     | TENSION                   | 1.5V                    |
| WEIGHT                      | POIDS                     | 11.5 Gr.                |
| SHELF LIFE*                 | DURÉE DE VIE*             | 5 years / 5 ans         |
| OPERATING TEMPERATURE RANGE | TEMPÉRATURE D'UTILISATION | -18°C to +50°C          |
| STORAGE TEMPERATURE RANGE   | TEMPÉRATURE DE STOCKAGE   | 10°C to +25°C           |
| TERMINALS                   | SORTIE                    | Flat / Plot pile        |
| PACKING                     | CONDITIONNEMENT           | Box of 10 / Boîte de 10 |

\*In consideration of typical loss of capacity at storage. \*Dans les conditions normales de stockage.

Individually packed by 2 for easy dispatch and to protect against humidity and short circuit. Les piles sont emballées par 2 dans un film plastique pour les protéger de l'humidité.



### DIMENSIONS / DIMENSIONS

|   |                |
|---|----------------|
| A | 43.8 to 44.5mm |
| Ø | 9.9 to 10.4mm  |
| C | 4.3mm          |
| F | 3.8mm          |
| G | 0.8mm          |

### ELECTRICAL CHARACTERISTICS / CARACTÉRISTIQUES ÉLECTRIQUES

|                 |                |                   |               |              |      |
|-----------------|----------------|-------------------|---------------|--------------|------|
| LOAD            | 24Ω            | 5.1Ω              | 100mA         | 75Ω          | 5.1Ω |
| TEST MODE       | 15s/m,8h/d     | 4m/h,8h/d         | 1h/d          | 4h/d         | 1h/d |
| END VOLTAGE     | 1.0V           | 0.9V              | 0.9V          | 0.9V         | 0.8  |
| UNIT            | h              | m                 | m             | h            | m    |
| APPLICATIONS    | REMOTE CONTROL | PORTABLE LIGHTING | DIGITAL AUDIO | RADIO/ CLOCK | TOY  |
| NORMAL DURATION | 22             | 265               | 10,6          | 79           | 288  |

m: minute

h: hour

d:day

Box x10



Shrink x2



### STANDARDS / NORMES

This cell complies with IEC standards below / Cette cellule respecte les normes ci-dessous :

IEC60086-1 : 2015

IEC60086-5 : 2016

IEC60086-2 : 2015

2006/66/EC and update 2013/56/EU directive

## DISCHARGE DIAGRAM / COURBES DE DÉCHARGE

