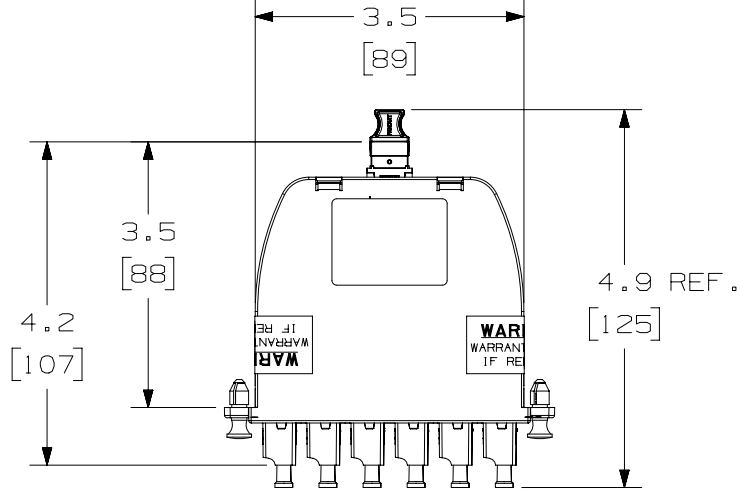
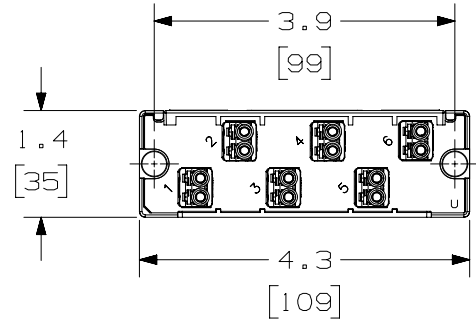


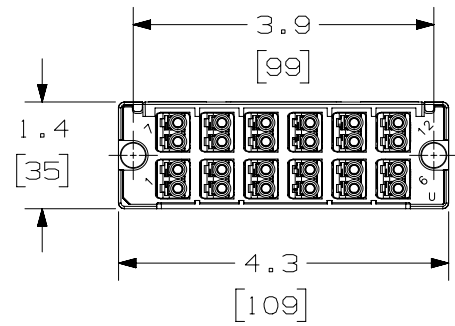
THIS COPY IS PROVIDED ON A RESTRICTED BASIS AND IS NOT TO BE USED IN ANY WAY DETRIMENTAL TO THE INTERESTS OF PANDUIT CORP.



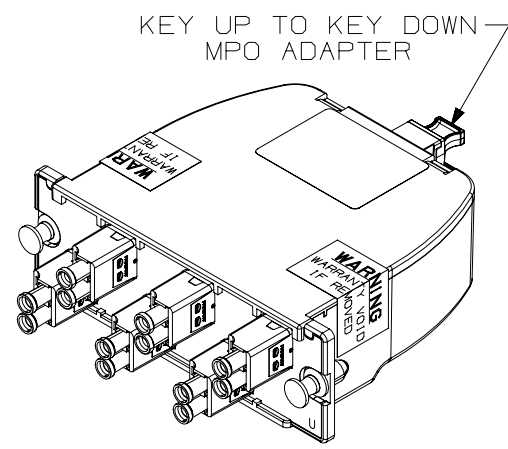
- NOTES:
- PART NUMBERS:
 - A. SEE SHEET 2 FOR 12 FIBER UNIVERSAL PART NUMBERS.
 - B. SEE SHEET 3 FOR 24 FIBER UNIVERSAL PART NUMBERS.
 - CASSETTE WEIGHT:
 - A. 12 FIBER = 3.60oz [102g]
 - B. 24 FIBER = 4.30oz [122g]
 - DIMENSIONS IN BRACKETS ARE METRIC.



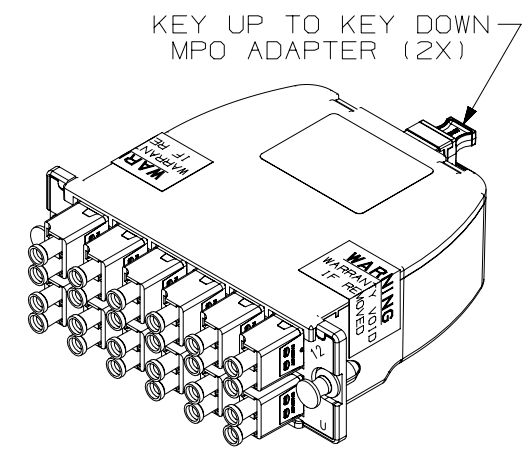
12 FIBER FRONT VIEW



24 FIBER FRONT VIEW



12 FIBER

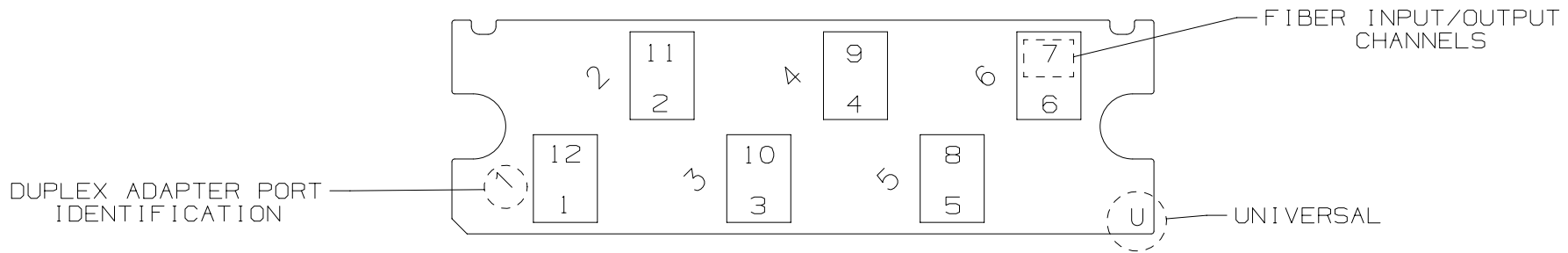


24 FIBER

TITLE OPTICOM 12 AND 24 FIBER LC CASSETTE (UNIVERSAL) CUSTOMER DRAWING										
ITEM REVISION NAME 10F113CP/00					PANDUIT					
DATASET FILE NAME 10F113CP_DC/00B										
UNLESS OTHERWISE SPECIFIED, DIMENSIONAL TOLERANCES ARE: IN [mm]										
.x ± .03 [.8]					.xxx ± .005 [.127]					
.xx ± .01 [.25]					ANGLES ± 5 °					
DRAWN BY SAT					DATE 06-26-18		CHK PJI		SCALE NONE	
THIRD ANGLE PROJECTION					DRAWING NUMBER: 10F113CP-DC					
REV					DATE		BY		CHK	
DESCRIPTION					ECN		SHT 1 OF 3		SIZE A	

OOB	05-29-19	SAT	DWW	EJH	A. ADDED P/N FC29N-24-LAU.	10F113CP-DC
OOA	06-28-18	SAT	PJI	EJH	RELEASED TO PRODUCTION	10F113CP-DC

12 FIBER DUPLEX LC CASSETTE - UNIVERSAL	
PART NUMBER	DESCRIPTION
FC2XN-12-10U	12 FIBER 50/125um OM3, STANDARD LOSS
FC2ZN-12-10U	12 FIBER 50/125um OM4, STANDARD LOSS
FC29N-12-10U	12 FIBER 9/125um OS2, STANDARD LOSS
FC2XO-12-10U	12 FIBER 50/125um OM3, OPTIMIZED LOSS
FC2ZO-12-10U	12 FIBER 50/125um OM4, OPTIMIZED LOSS
FC2XA-12-10U	12 FIBER 50/125um OM3, ULTRA LOW LOSS
FC2ZA-12-10U	12 FIBER 50/125um OM4, ULTRA LOW LOSS
FC2SA-12-10U	12 FIBER 50/125um OM4+, SIG. CORE, ULTRA LOW LOSS



12 FIBER UNIVERSAL - FIBER LAYOUT

					TITLE OPTICOM 12 AND 24 FIBER LC CASSETTE (UNIVERSAL) CUSTOMER DRAWING							
					ITEM REVISION NAME 10F113CP/00							
					DATASET FILE NAME 10F113CP_DC/00B							
					UNLESS OTHERWISE SPECIFIED, DIMENSIONAL TOLERANCES ARE: IN (mm) .x ± .03 (.8) .xxx ± .005 (.127) .xx ± .01 (.25) ANGLES ± 5 °							
					MATERIAL: SEE NOTES SHEET 1							
					DRAWING NUMBER: 10F113CP-DC							
SEE SHEET 1 FOR REVISION HISTORY					THIRD ANGLE PROJECTION							
REV	DATE	BY	CHK	APR	DESCRIPTION	ECN	DRAWN BY SAT	DATE 06-26-18	CHK PJI	SCALE NONE	SHT 2 OF 3	SIZE A

