



Hinge operating  
KCP

Product designation  
Product type designation

**General characteristics**

**General characteristics**

Housing Material

Polymer  
thermoplastic

Rod material

Short cylinder  
hinge

**Contact characteristics**

Type of contact

1NO+1NC Slow  
action

Thermal current I<sub>th</sub>

A 10

IEC/EN 60947-5-1 designation

A600 Q300

Rated insulation voltage U<sub>i</sub>

V 690

Rated impulse withstand voltage U<sub>imp</sub>

kV 6

Insulation class

II

Short-circuit protection with fuse

Class/A 10 gG/SC  
QUICK FUSE

Switching speed

min	m/s	0.5
max	m/s	1.5

IEC Conventional free air thermal current I<sub>th</sub>

A 10

Resistance per pole (average value)

mΩ <10

**Operations**

Mechanical life

cycles 100000

B10d

cycles 100000

Mechanical operation

cycles/h 3600

**Output characteristics**

Mechanical life

cycles 100000

**Mechanical features**

Operating head fixing

Locking bayonet  
insert

Operating torque

Ncm	15
ozin	21.2

Tightening torque (Max)

Switch fixing

Nm	2.5
lbin	22.1

Contact terminals

Nm	0.8
lbin	7

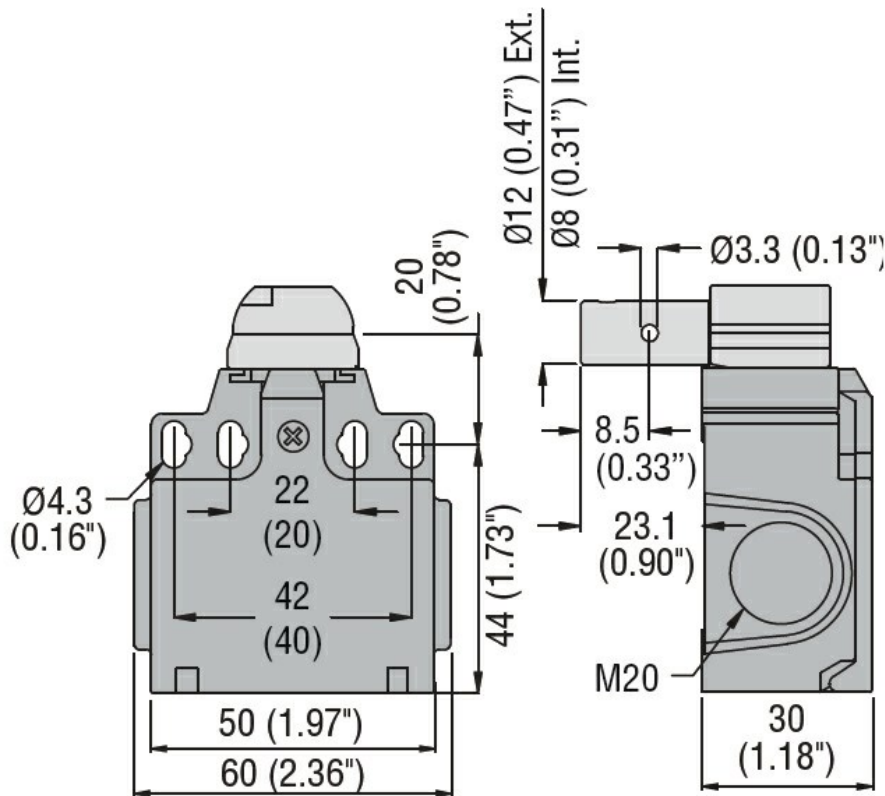
Body lid screw fixing

Nm	0.8
lbin	7

Conductor section

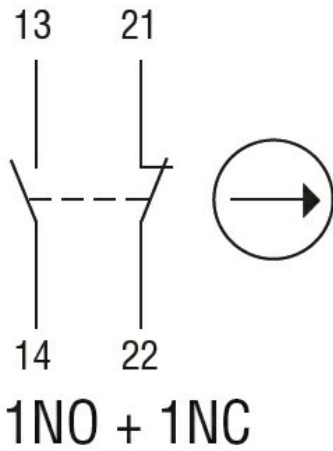
AWG/Kcmil	min	16	
	max	14	
IEC	min	mm <sup>2</sup>	1or 2
	max	mm <sup>2</sup>	2.5
Cable connection	Self-releasing screw terminal		
Cable entry	M20 on the sides		
<b>Ambient conditions</b>			
Pollution degree	3		
Temperature	Operating temperature		
	min	°C	-25
	max	°C	+70
	Storage temperature		
	min	°C	-40
	max	°C	+70

**Dimensions**



**Wiring diagrams**

## Slow action



### Certifications and compliance

#### Compliance

CSA C22.2 n° 14

EN 50047

IEC/EN 60204-1

IEC/EN 60947-1

IEC/EN 60947-5-1

UL508

#### Certificates

CCC

cULus

EAC

### ETIM classification

ETIM 8.0

EC000030 - End  
switch