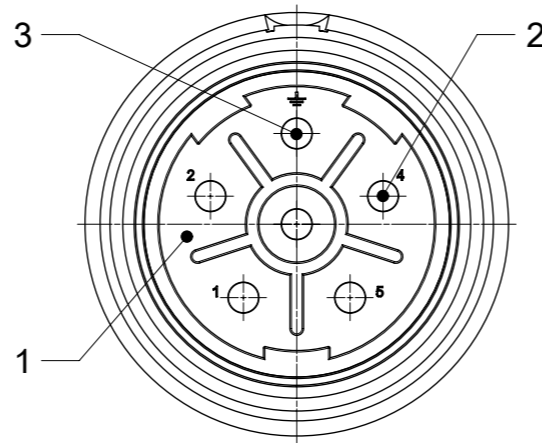


**Technical Data:**

|                              |                    |
|------------------------------|--------------------|
| Number of positions          | 5 + PE             |
| Number of contacts           | 6                  |
| Contact Ø [mm]               | 2                  |
| Nominal current [A]          | 18                 |
| Nominal voltage [V~]         | 600                |
| Degree of pollution 3        |                    |
| Test voltage [V~]            | 3000               |
| Max. contact resistance [mΩ] | 3                  |
| Insulation resistance [MΩ]   | > 10 <sup>13</sup> |
| Protection                   | IP 67 (connected)  |
| Temperature range (fixed)    | -40°C to 90°C      |
| Temperature range (flex)     | -25°C to 80°C      |

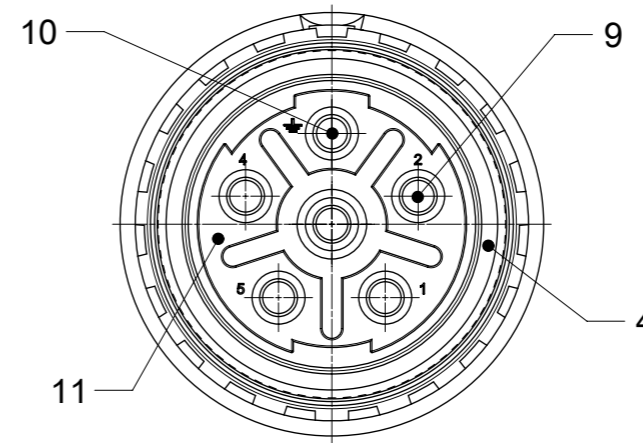
**Packaging:**  
The cordsets delivered packed into carton without PE-bag.

Connector pin assignment  
Plug M23 5+PE MA



SCALE 2:1

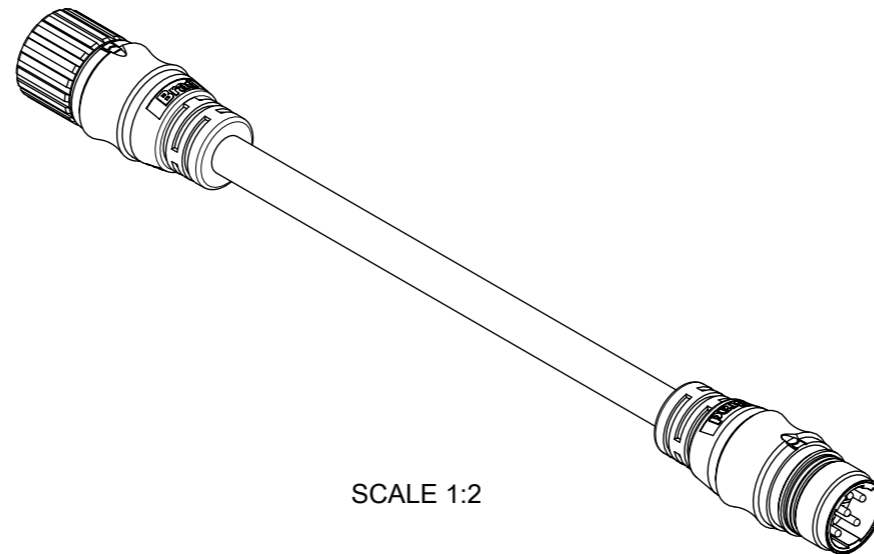
Connector pin assignment  
Plug M23 5+PE FE



SCALE 2:1

TABLE 1

| MOLEX P/N  | ENGINEERING No. | L [mm] | Tol.[mm] |
|------------|-----------------|--------|----------|
| 1204800620 | KKP6S30W01M010  | 1000   | +40      |
| 1204800621 | KKP6S30W01M020  | 2000   | +60      |
| 1204800622 | KKP6S30W01M030  | 3000   | +60      |
| 1204800623 | KKP6S30W01M040  | 4000   | +60      |
| 1204800624 | KKP6S30W01M050  | 5000   | +60      |
| 1204800625 | KKP6S30W01M100  | 10000  | +80      |
| 1204800626 | KKP6S30W01M150  | 15000  | +140     |
| 1204800627 | KKP6S30W01M200  | 20000  | +140     |



SCALE 1:2

|         |   |       |                                       |         |                |                            |  |        |
|---------|---|-------|---------------------------------------|---------|----------------|----------------------------|--|--------|
| SYMBOLS | THIS DRAWING CONTAINS INFORMATION THAT IS PROPRIETARY TO MOLEX ELECTRONIC TECHNOLOGIES, LLC AND SHOULD NOT BE USED WITHOUT WRITTEN PERMISSION |       | CURRENT REV DESC:                     |         |                | <b>molex</b>               |  |        |
|         | DIMENSION UNITS   | SCALE |                                       |         |                |                            |  |        |
| ▽ = 0   | mm  | 1:1   | GENERAL TOLERANCES (UNLESS SPECIFIED) |         |                | PRODUCT CUSTOMER DRAWING   |  |        |
| ▽ = 0   | ANGULAR TOL ± 1.0°  |       | DRWN: MSCHERER                        |         |                | DOCUMENT NUMBER            |  |        |
| ▽ = 0   | 4 PLACES ±  |       | CHK'D: RSILLER                        |         |                | DOC TYPE DOC PART REVISION |  |        |
| ▽ = 0   | 3 PLACES ± 0.0  |       | APPR: RSILLER                         |         |                | 1204800620 PSD 000 B       |  |        |
| ▽ = 0   | 2 PLACES ± 0.05   |       | INITIAL REVISION:                     |         |                | MATERIAL NUMBER            |  |        |
| ▽ = 0   | 1 PLACE ± 0.3   |       | DRWN: MSCHERER                        |         |                | CUSTOMER                   |  |        |
| ▽ = 0   | 0 PLACES ± 0.5  |       | APPR: RSILLER                         |         |                | SHEET NUMBER               |  |        |
| □ = 0   | DRAFT WHERE APPLICABLE MUST REMAIN WITHIN DIMENSIONS  |       | THIRD ANGLE PROJECTION                | DRAWING | SERIES         | SEE TABLE 1                |  |        |
| ▽ = 0   |   |       | A3-SIZE                               | 120480  | GENERAL MARKET |                            |  | 1 OF 2 |

Wiring Diagram  
Connection: IN-LINE

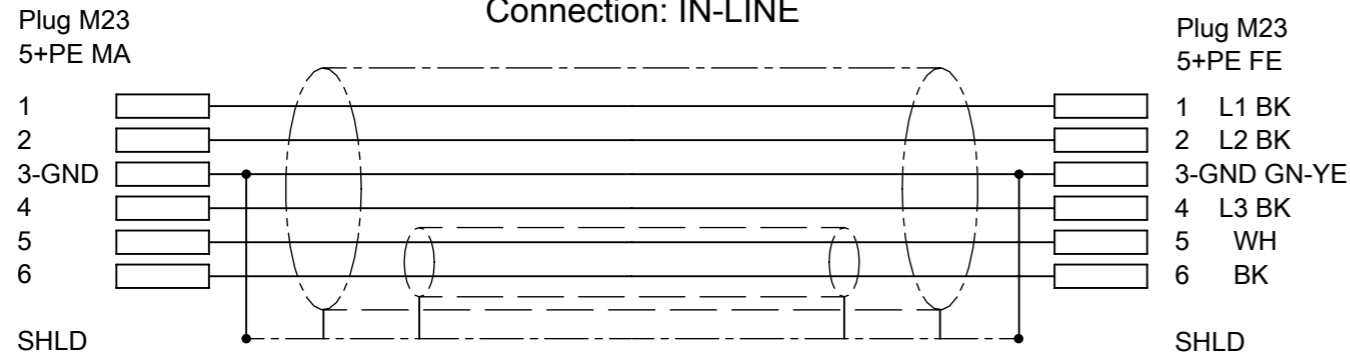


TABLE 2

| POS | QTY | DESCRIPTION     | MATERIAL     | FINISH / COLOR   |
|-----|-----|-----------------|--------------|------------------|
| 1   | 1   | INSERT M23 MA   | PA           | BLACK            |
| 2   | 5   | CONTACT 20 MA   | COPPER ALLOY | GOLD OVER NICKEL |
| 3   | 1   | GROUNDING 20 MA | COPPER ALLOY | GOLD OVER NICKEL |
| 4   | 2   | GASKET OR       | NBR          | BLACK            |
| 5   | 1   | SHELL M23 MA    | BRASS        | NICKEL PLATED    |
| 6   | 2   | OVERMOLD        | TPU          | BLACK            |
| 7   | 1   | CABLE           | WSOR         | ORANGE           |
| 8   | 1   | NUT M23 FE      | BRASS        | NICKEL PLATED    |
| 9   | 5   | CONTACT 20 FE   | COPPER ALLOY | GOLD OVER NICKEL |
| 10  | 1   | GROUNDING 20 FE | COPPER ALLOY | GOLD OVER NICKEL |
| 11  | 1   | INSERT M23 FE   | PA           | BLACK            |
| 12  | 1   | SHELL M23 FE    | BRASS        | NICKEL PLATED    |

|                                       |   |                              |  |  |             |                 |          |              |                     |
|---------------------------------------|---|------------------------------|--|--|-------------|-----------------|----------|--------------|---------------------|
| FUNCTIONAL SYMBOLS                    | THIS DRAWING CONTAINS INFORMATION THAT IS PROPRIETARY TO MOLEX ELECTRONIC TECHNOLOGIES, LLC AND SHOULD NOT BE USED WITHOUT WRITTEN PERMISSION |                              | CURRENT REV DESC:                                    |  |             | <b>molex</b>    |          |              |                     |
|                                       | $\nabla_A = 0$<br>$\nabla_B = 0$<br>$\nabla_C = 0$  | DIMENSION UNITS<br><b>mm</b> |  |  |             |                 |          |              | SCALE<br><b>1:1</b> |
| GENERAL TOLERANCES (UNLESS SPECIFIED) |   | PRODUCT CUSTOMER DRAWING     |  |  |             |                 |          |              |                     |
| DIVISIONAL SYMBOLS                    | ANGULAR TOL $\pm 1.0^\circ$   |                              | INITIAL REVISION:                                    |  |             | DOCUMENT NUMBER | DOC TYPE | DOC PART     | REVISION            |
|                                       | 4 PLACES  | $\pm$                        | DRWN: MSCHERER 2016/11/23                            |  |             | 1204800620      | PSD      | 000          | B                   |
|                                       | 3 PLACES  | $\pm 0.0$                    | APPR: RSILLER 2016/11/24                             |  |             |                 |          |              |                     |
|                                       | 2 PLACES  | $\pm 0.05$                   | DRAFT WHERE APPLICABLE MUST REMAIN WITHIN DIMENSIONS |  |             | MATERIAL NUMBER |          | CUSTOMER     |                     |
| 1 PLACE                               | $\pm 0.3$   | THIRD ANGLE PROJECTION       |  |  | SEE TABLE 1 | GENERAL MARKET  |          | SHEET NUMBER |                     |
| 0 PLACES                              | $\pm 0.5$   | DRAWING                      |  |  | A3-SIZE     | SERIES          |          | 2 OF 2       |                     |