


Part number

PEW 1664 SM



Wall-mounting plug, PLUSO series, 3 poles + PE, 6 h (red), 16 A, 380 ÷ 415 V

| Product description | | Material properties | |
|---|---|------------------------------|---|
| Product type | Plug Wall-mounting | Colour | RAL 7035 grey, RAL 3000 red |
| Series | PEW...SM, PLUSO | RoHs conformity | Compliant with exemption 6(c): copper alloy containing up to 4% lead by weight |
| N. of poles | 3 poles +  | China RoHs - EFUP | 50 |
| Clock position | 6 | REACH SVHC substances | Yes Lead |
| Technical data | | SCIP number | Ca7de37f-add8-4b77-9861-279c94903ade |
| Current | 16 A | Approvals / Standards | |
| Voltage | 380 ÷ 415 V | Reference standard | EN 60309-1 and -2 |
| IP degree of protection | IP67 | General ordering information | |
| Further technical details | | EAN13 code | 8015747072939 |
| Weight | 304,00 g | Packaging Information | |
| Operating temperature range (min, max) | -25°C ... +40°C | Packaging length | 330,00 mm |
| | | Packaging height | 175,00 mm |
| | | Packaging width | 295,00 mm |
| | | Packaging weight | 3,40 kg |
| | | Packaging volume | 17,04 dm ³ |
| | | Packaging description | Carton box |
| | | Packaging quantity | 10 Pcs |
| | | Packaging EAN code | 8015747072946 |

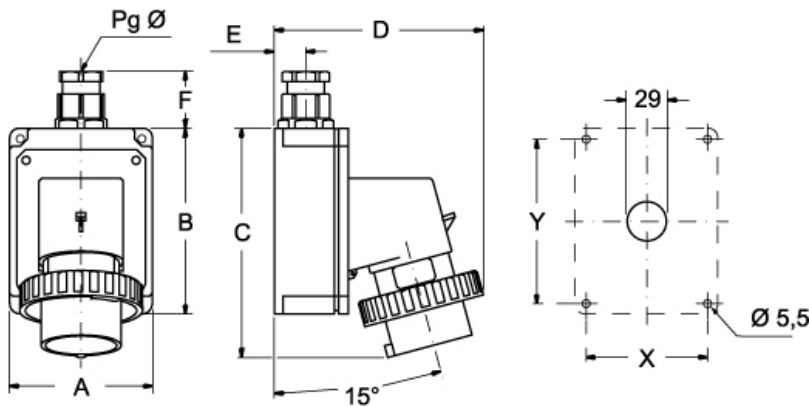
Part number

PEW 1664 SM



Catalogue drawings

(16 / 32A) PEW ... SM



| PEW ... SM | A | B | C | D | E | F | X | Y | Pg Ø |
|-----------------|-----|-----|-----|-----|----|----|----|-----|------|
| 16A 2P+⊕ | 75 | 115 | 144 | 126 | 19 | 35 | 65 | 105 | 16 |
| 3P+⊕ | 75 | 115 | 144 | 134 | 19 | 35 | 65 | 105 | 16 |
| 3P+N+⊕ | 100 | 130 | 164 | 145 | 22 | 42 | 85 | 115 | 21 |
| 32A 2P+⊕ | 100 | 130 | 178 | 154 | 22 | 42 | 85 | 115 | 21 |
| 3P+⊕ | 100 | 130 | 178 | 154 | 22 | 42 | 85 | 115 | 21 |
| 3P+N+⊕ | 100 | 130 | 178 | 160 | 22 | 42 | 85 | 115 | 21 |

Notes

Dimensions shown in mm are not binding and may be changed without notice.

- Compliant with EN 60309-1 and -2
- Enclosure, insert and locking ring in insulating, thermoplastic, self-extinguishing material
- PE...SM types (IP44), enclosure colour coded according to the operating voltage, top entry with threaded grommet (replaceable with cable gland)
- PEW...SM types (IP67), RAL 7035 grey enclosure, locking ring with gasket colour coded according to the operating voltage, top entry with cable gland
- Terminals with retained screws
- 63A, 125A: with pilot contact
- Nickel-plated contacts, available on request for 16A and 32A (standard on 63A and 125A). For the code of products with nickel-plated contacts (socket holes, plug pins), add "N" to the pre-code of the corresponding standard product code; for example: PE becomes PEN and PEW becomes PEWN.
- 125A: with terminal block for the anchoring of incoming cables, already connected to socket
- IP44 and IP67 degrees of protection (EN 6052)