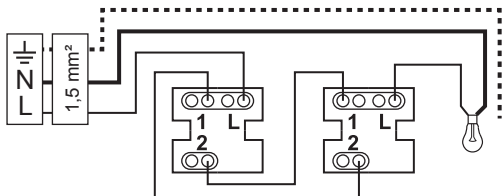
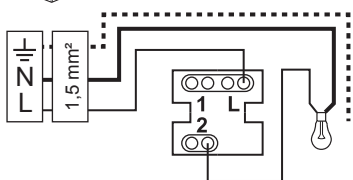
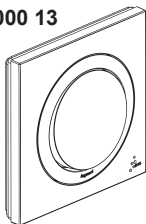
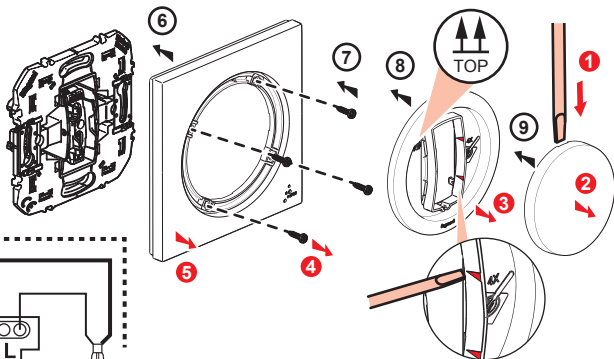


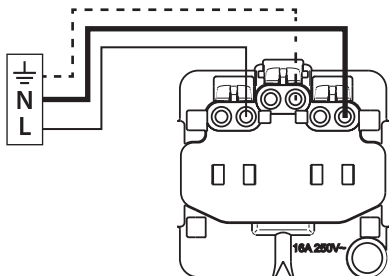
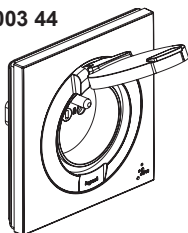
6 000 13



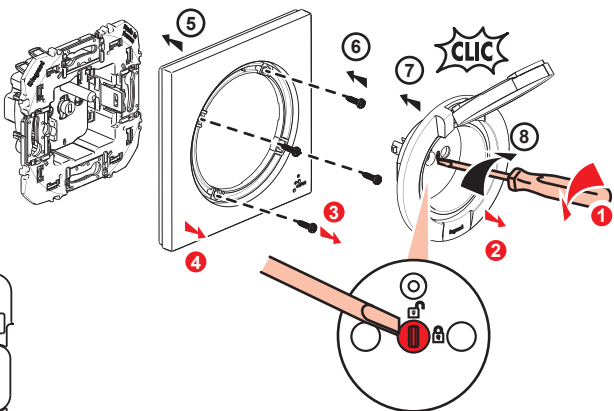
-10°C ... +70°C	-5°C ... +40°C	40 mm	250 V~ 10 AX	12 mm ≤ 2,5 mm <sup>2</sup>



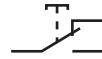
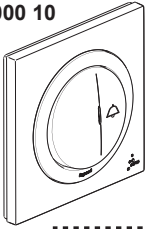
6 003 44



-10°C ... +70°C	-5°C ... +40°C	40 mm	250 V~ 16 A	12 mm ≤ 2,5 mm <sup>2</sup>



6 000 10



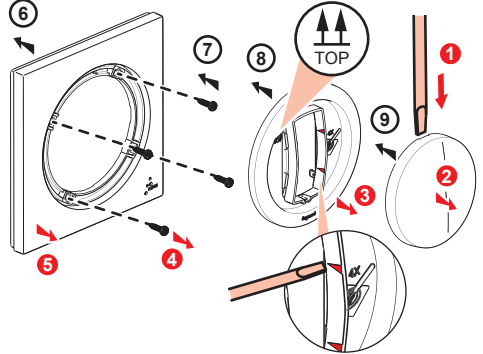
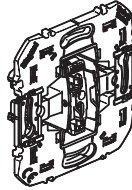
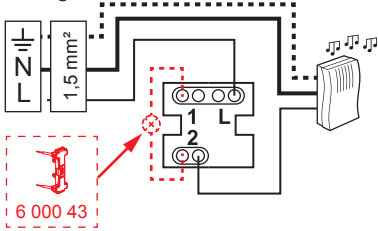
-10°C ... +70°C

-5°C ... +40°C

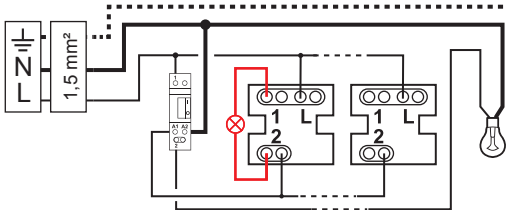
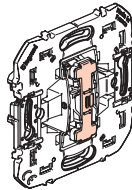
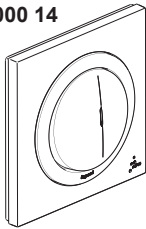
40 mm

250 V~  
6 A

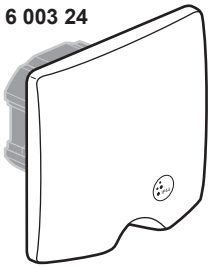
12 mm  
≤ 2,5 mm<sup>2</sup>



6 000 14



6 003 24



-10°C ... +70°C

-5°C ... +40°C

40 mm

