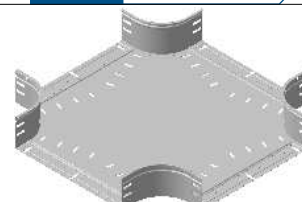
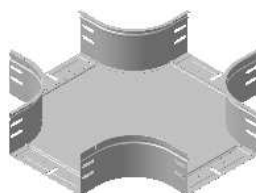
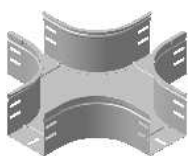


**P31 - CROIX  
P31 - 4 WAY CROSSPIECE**

 Référence(s) : **481675/76/77/78/79/80/81**  
 Items(s) : **481492/93/94/95/96/97/98**

**1. GAMME/RANGE**
**P31 - CROIX H100 GS**
**P31 - 4 WAY CROSSPIECE H100 PG**

| Designation<br>Description                                  | Code   | Poids<br>Weight<br>(Kg) | Épaisseur<br>Thickness<br>(mm) | Matière<br>Raw Material | Norme matière<br>Standard Raw Material | Finition<br>Coating | Norme Finition<br>Standard Coating | Section<br>(mm <sup>2</sup> ) |
|-------------------------------------------------------------|--------|-------------------------|--------------------------------|-------------------------|----------------------------------------|---------------------|------------------------------------|-------------------------------|
| P31 - CROIX 100x100 GS<br>P31 - 4 WAY CROSSPIECE 100X100 PG | 481675 | 1,10                    | 0,7                            | DX51D+Z200              | EN 10346                               | GS/PG/Z             | EN 10346                           | 10193                         |
| P31 - CROIX 100x150 GS<br>P31 - 4 WAY CROSSPIECE 100X150 PG | 481676 | 1,33                    | 0,7                            | DX51D+Z200              | EN 10346                               | GS/PG/Z             | EN 10346                           | 15258                         |
| P31 - CROIX 100x200 GS<br>P31 - 4 WAY CROSSPIECE 100X200 PG | 481677 | 1,60                    | 0,7                            | DX51D+Z200              | EN 10346                               | GS/PG/Z             | EN 10346                           | 20323                         |
| P31 - CROIX 100x300 GS<br>P31 - 4 WAY CROSSPIECE 100X300 PG | 481678 | 2,21                    | 0,7                            | DX51D+Z200              | EN 10346                               | GS/PG/Z             | EN 10346                           | 30453                         |
| P31 - CROIX 100x400 GS<br>P31 - 4 WAY CROSSPIECE 100X400 PG | 481679 | 2,94                    | 0,7                            | DX51D+Z200              | EN 10346                               | GS/PG/Z             | EN 10346                           | 40583                         |
| P31 - CROIX 100x500 GS<br>P31 - 4 WAY CROSSPIECE 100X500 PG | 481680 | 3,77                    | 0,7                            | DX51D+Z200              | EN 10346                               | GS/PG/Z             | EN 10346                           | 50713                         |
| P31 - CROIX 100x600 GS<br>P31 - 4 WAY CROSSPIECE 100X600 PG | 481681 | 4,71                    | 0,7                            | DX51D+Z200              | EN 10346                               | GS/PG/Z             | EN 10346                           | 60843                         |

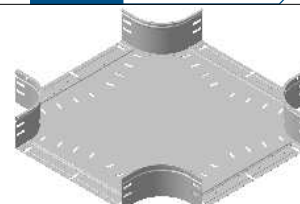
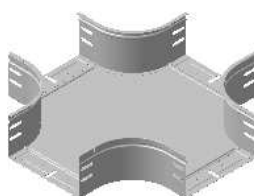
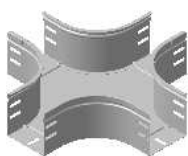
 Classe de résistance contre la corrosion 3 (IEC 61537)  
 Corrosion resistance classification 3 (IEC 61537)

**P31 - CROIX H100 GS**
**P31 - 4 WAY CROSSPIECE H100 PG**

| Designation<br>Description                                               | Code   | Poids<br>Weight<br>(Kg) | Épaisseur<br>Thickness<br>(mm) | Matière<br>Raw Material | Norme matière<br>Standard Raw Material | Finition<br>Coating | Norme Finition<br>Standard Coating | Section<br>(mm <sup>2</sup> ) |
|--------------------------------------------------------------------------|--------|-------------------------|--------------------------------|-------------------------|----------------------------------------|---------------------|------------------------------------|-------------------------------|
| P31 - CROIX PERFORE 100x100 GS<br>P31 - 4 WAY CROSSPIECE PERF 100X100 PG | 481492 | 1,08                    | 0,7                            | DX51D+Z200              | EN 10346                               | GS/PG/Z             | EN 10346                           | 10193                         |
| P31 - CROIX PERFORE 100x150 GS<br>P31 - 4 WAY CROSSPIECE PERF 100X150 PG | 481493 | 1,32                    | 0,7                            | DX51D+Z200              | EN 10346                               | GS/PG/Z             | EN 10346                           | 15258                         |
| P31 - CROIX PERFORE 100x200 GS<br>P31 - 4 WAY CROSSPIECE PERF 100X200 PG | 481494 | 1,58                    | 0,7                            | DX51D+Z200              | EN 10346                               | GS/PG/Z             | EN 10346                           | 20323                         |
| P31 - CROIX PERFORE 100x300 GS<br>P31 - 4 WAY CROSSPIECE PERF 100X300 PG | 481495 | 2,19                    | 0,7                            | DX51D+Z200              | EN 10346                               | GS/PG/Z             | EN 10346                           | 30453                         |
| P31 - CROIX PERFORE 100x400 GS<br>P31 - 4 WAY CROSSPIECE PERF 100X400 PG | 481496 | 2,90                    | 0,7                            | DX51D+Z200              | EN 10346                               | GS/PG/Z             | EN 10346                           | 40583                         |
| P31 - CROIX PERFORE 100x500 GS<br>P31 - 4 WAY CROSSPIECE PERF 100X500 PG | 481497 | 3,73                    | 0,7                            | DX51D+Z200              | EN 10346                               | GS/PG/Z             | EN 10346                           | 50713                         |
| P31 - CROIX PERFORE 100x600 GS<br>P31 - 4 WAY CROSSPIECE PERF 100X600 PG | 481498 | 4,66                    | 0,7                            | DX51D+Z200              | EN 10346                               | GS/PG/Z             | EN 10346                           | 60843                         |

 Classe de résistance contre la corrosion 3 (IEC 61537)  
 Corrosion resistance classification 3 (IEC 61537)

**P31 - CROIX  
P31 - 4 WAY CROSSPIECE**

 Référence(s) : **482149/50/51/52/53/54/55**  
 Items(s) : **483492/93/94/95/96/97/98**

**1. GAMME/RANGE**

P31 - CROIX H100 GC

P31 - 4 WAY CROSSPIECE H100 HDG

| Designation<br>Description                                   | Code   | Poids<br>Weight<br>(Kg) | Épaisseur<br>Thickness<br>(mm) | Matière<br>Raw Material | Norme matière<br>Standard Raw Material | Finition<br>Coating | Norme Finition<br>Standard Coating | Section<br>(mm <sup>2</sup> ) |
|--------------------------------------------------------------|--------|-------------------------|--------------------------------|-------------------------|----------------------------------------|---------------------|------------------------------------|-------------------------------|
| P31 - CROIX 100x100 GC<br>P31 - 4 WAY CROSSPIECE 100X100 HDG | 482149 | 1,21                    | 0,7                            | DC01                    | EN 10130                               | GC/HDG/C            | ISO 1461                           | 10193                         |
| P31 - CROIX 100x150 GC<br>P31 - 4 WAY CROSSPIECE 100X150 HDG | 482150 | 1,46                    | 0,7                            | DC01                    | EN 10130                               | GC/HDG/C            | ISO 1461                           | 15258                         |
| P31 - CROIX 100x200 GC<br>P31 - 4 WAY CROSSPIECE 100X200 HDG | 482151 | 1,76                    | 0,7                            | DC01                    | EN 10130                               | GC/HDG/C            | ISO 1461                           | 20323                         |
| P31 - CROIX 100x300 GC<br>P31 - 4 WAY CROSSPIECE 100X300 HDG | 481352 | 2,43                    | 0,7                            | DC01                    | EN 10130                               | GC/HDG/C            | ISO 1461                           | 30453                         |
| P31 - CROIX 100x400 GC<br>P31 - 4 WAY CROSSPIECE 100X400 HDG | 481353 | 3,23                    | 0,7                            | DC01                    | EN 10130                               | GC/HDG/C            | ISO 1461                           | 40583                         |
| P31 - CROIX 100x500 GC<br>P31 - 4 WAY CROSSPIECE 100X500 HDG | 481354 | 4,15                    | 0,7                            | DC01                    | EN 10130                               | GC/HDG/C            | ISO 1461                           | 50713                         |
| P31 - CROIX 100x600 GC<br>P31 - 4 WAY CROSSPIECE 100X600 HDG | 481355 | 5,18                    | 0,7                            | DC01                    | EN 10130                               | GC/HDG/C            | ISO 1461                           | 60843                         |

Classe de résistance contre la corrosion 6 (IEC 61537)

Corrosion resistance classification 6 (IEC 61537)

P31 - CROIX H100 GC

P31 - 4 WAY CROSSPIECE H100 HDG

| Designation<br>Description                                                | Code   | Poids<br>Weight<br>(Kg) | Épaisseur<br>Thickness<br>(mm) | Matière<br>Raw Material | Norme matière<br>Standard Raw Material | Finition<br>Coating | Norme Finition<br>Standard Coating | Section<br>(mm <sup>2</sup> ) |
|---------------------------------------------------------------------------|--------|-------------------------|--------------------------------|-------------------------|----------------------------------------|---------------------|------------------------------------|-------------------------------|
| P31 - CROIX PERFORE 100x100 GC<br>P31 - 4 WAY CROSSPIECE PERF 100X100 HDG | 483492 | 1,19                    | 0,7                            | DC01                    | EN 10130                               | GC/HDG/C            | ISO 1461                           | 10193                         |
| P31 - CROIX PERFORE 100x150 GC<br>P31 - 4 WAY CROSSPIECE PERF 100X150 HDG | 483493 | 1,45                    | 0,7                            | DC01                    | EN 10130                               | GC/HDG/C            | ISO 1461                           | 15258                         |
| P31 - CROIX PERFORE 100x200 GC<br>P31 - 4 WAY CROSSPIECE PERF 100X200 HDG | 483494 | 1,74                    | 0,7                            | DC01                    | EN 10130                               | GC/HDG/C            | ISO 1461                           | 20323                         |
| P31 - CROIX PERFORE 100x300 GC<br>P31 - 4 WAY CROSSPIECE PERF 100X300 HDG | 483495 | 2,40                    | 0,7                            | DC01                    | EN 10130                               | GC/HDG/C            | ISO 1461                           | 30453                         |
| P31 - CROIX PERFORE 100x400 GC<br>P31 - 4 WAY CROSSPIECE PERF 100X400 HDG | 483496 | 3,19                    | 0,7                            | DC01                    | EN 10130                               | GC/HDG/C            | ISO 1461                           | 40583                         |
| P31 - CROIX PERFORE 100x500 GC<br>P31 - 4 WAY CROSSPIECE PERF 100X500 HDG | 483497 | 4,10                    | 0,7                            | DC01                    | EN 10130                               | GC/HDG/C            | ISO 1461                           | 50713                         |
| P31 - CROIX PERFORE 100x600 GC<br>P31 - 4 WAY CROSSPIECE PERF 100X600 HDG | 483498 | 5,13                    | 0,7                            | DC01                    | EN 10130                               | GC/HDG/C            | ISO 1461                           | 60843                         |

Classe de résistance contre la corrosion 6 (IEC 61537)

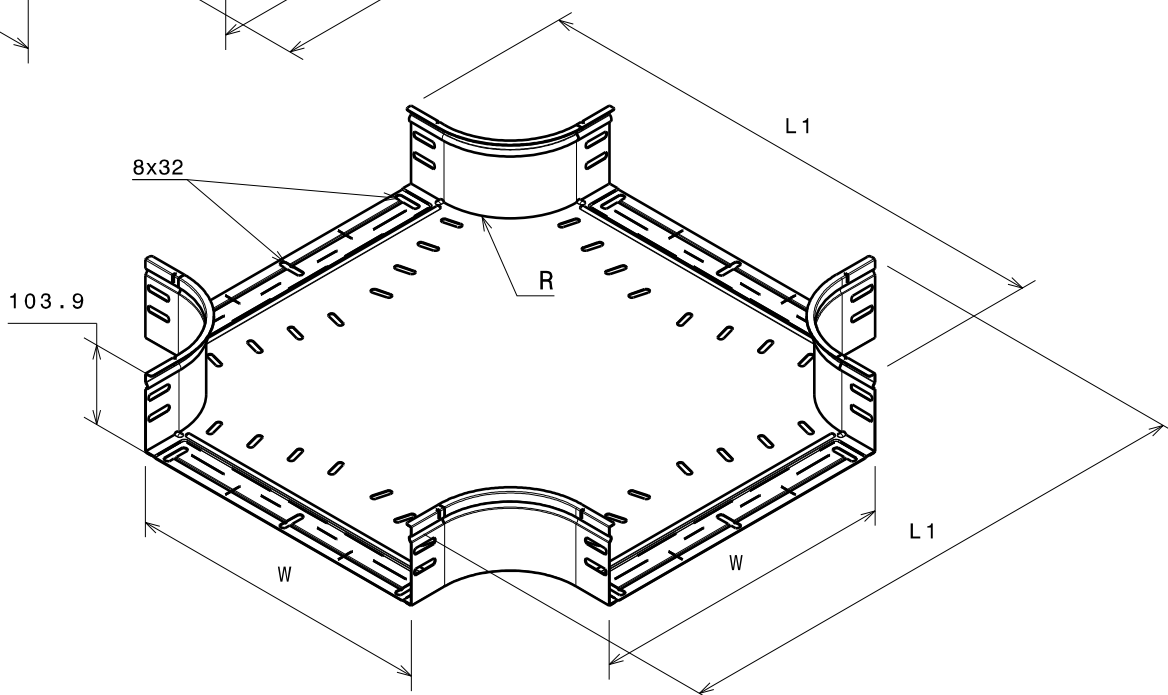
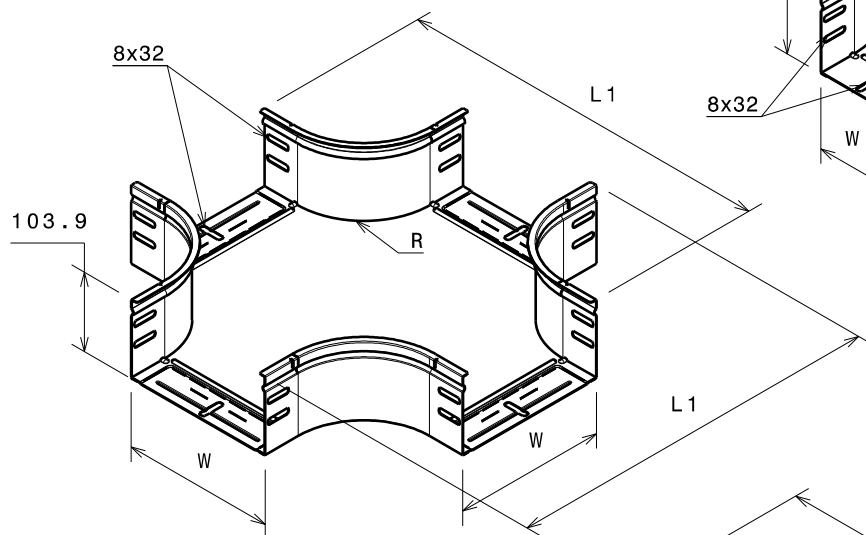
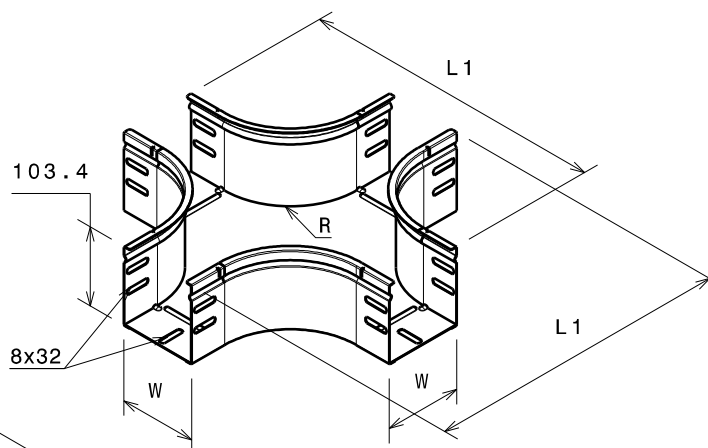
Corrosion resistance classification 6 (IEC 61537)

**P31 - CROIX  
P31 - 4 WAY CROSSPIECE**

 Référence(s) : 481675/76/77/78/79/80/81  
 481492/93/94/95/96/97/98  
 Items(s) : 482149/50/51/52/53/54/55  
 483492/93/94/95/96/97/98

**2. DIMENSIONS (mm)**

| Designation<br>Description                      | Largeur<br>Width<br>(W mm) | Rayon<br>Radius<br>(mm) | L1<br>(mm) |
|-------------------------------------------------|----------------------------|-------------------------|------------|
| P31 - CROIX W100<br>P31 - 4 WAY CROSSPIECE W100 | 102,4                      | 100                     | 401        |
| P31 - CROIX W150<br>P31 - 4 WAY CROSSPIECE W150 | 152,4                      | 100                     | 451        |
| P31 - CROIX W200<br>P31 - 4 WAY CROSSPIECE W200 | 202,4                      | 100                     | 501        |
| P31 - CROIX W300<br>P31 - 4 WAY CROSSPIECE W300 | 302,4                      | 100                     | 601        |
| P31 - CROIX W400<br>P31 - 4 WAY CROSSPIECE W400 | 402,4                      | 100                     | 701        |
| P31 - CROIX W500<br>P31 - 4 WAY CROSSPIECE W500 | 502,4                      | 100                     | 801        |
| P31 - CROIX W600<br>P31 - 4 WAY CROSSPIECE W600 | 602,4                      | 100                     | 901        |



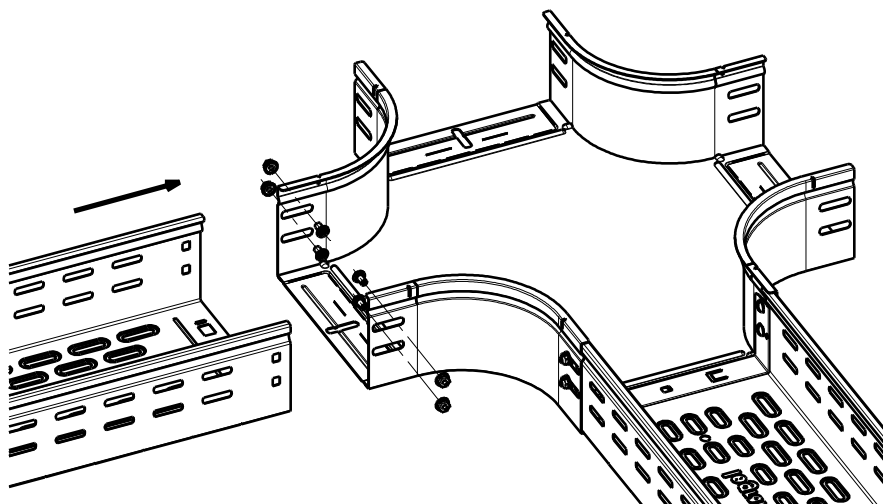
P31 - CROIX  
P31 - 4 WAY CROSSPIECE

Référence(s) : 481675/76/77/78/79/80/81  
481492/93/94/95/96/97/98  
Items(s) : 482149/50/51/52/53/54/55  
483492/93/94/95/96/97/98

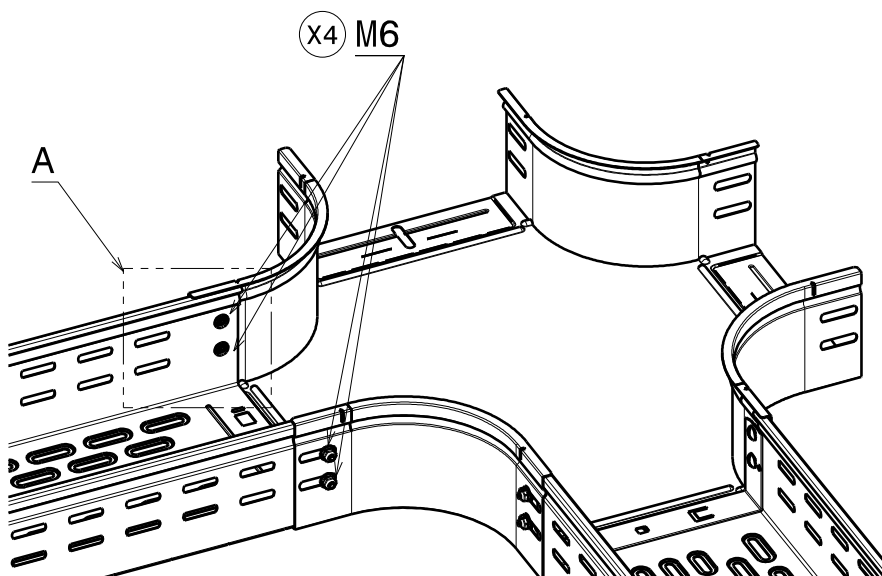
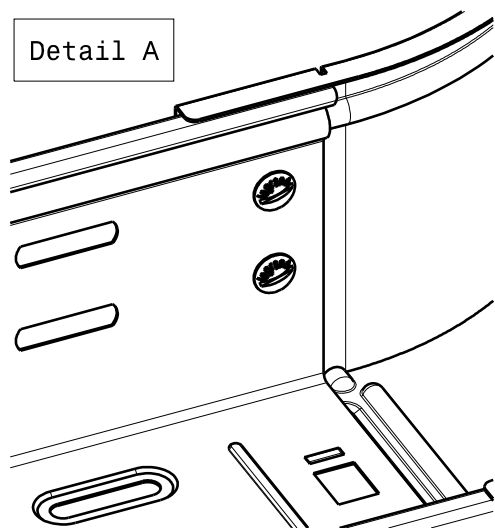
|  |    |  |       |
|--|----|--|-------|
|  | M6 |  | 11 Nm |
|  | M6 |  |       |

Référence(s) : 341895 (PG)  
Items(s) : 346895 (AISI 316L)

100 -> 300 mm



Detail A



400 -> 600 mm

