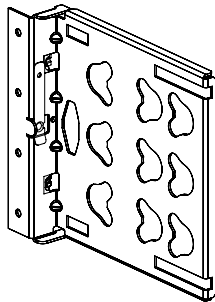
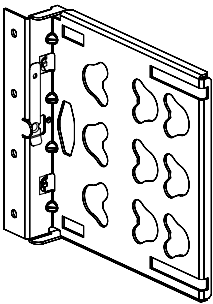


Tool List

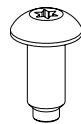


T25 Torx driver

Components Included



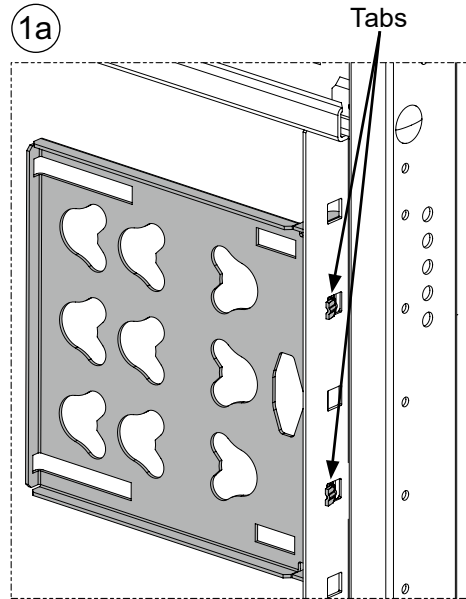
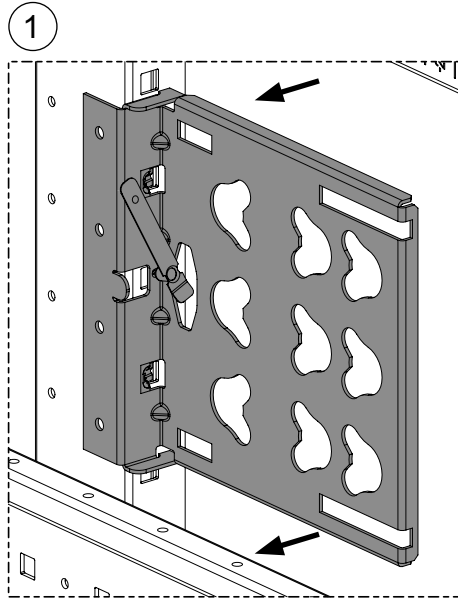
PDU BRACKET
Qty:(2)



M5x0.8 x 12mm
Button Head Screw
Qty: 02

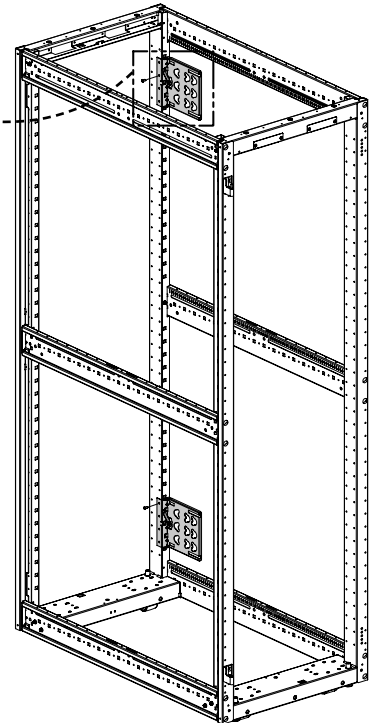
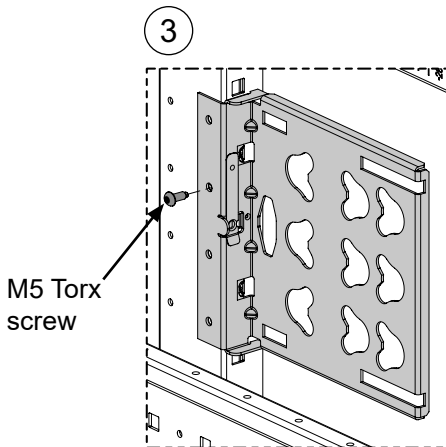
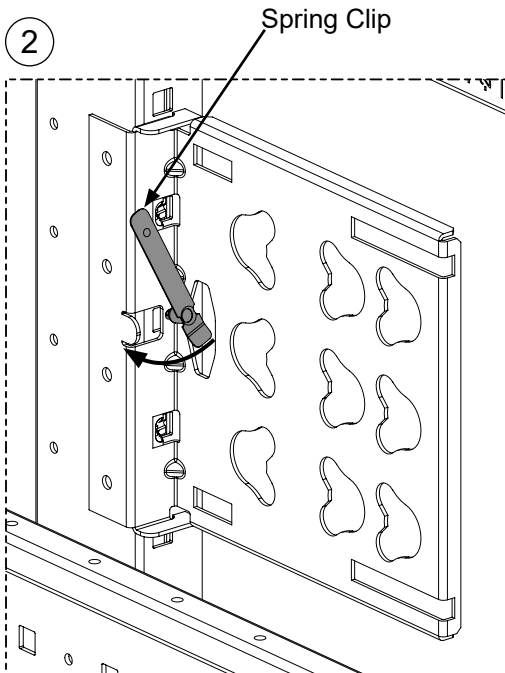
PDU Bracket Installation

- Orient Top PDU bracket on cabinet post at desired position and slide PDU Bracket tabs on cabinet post as shown in Step 1
- Engage spring clip as shown in Step 2
- Fasten to cabinet by using [1] M5 Torx screws as shown in Step 3
- Repeat Steps 1 through 3 for additional PDU Brackets



Backside View

PDU Bracket Tabs engage the cage nut holes on vertical post of cabinet frame



Maximum Applied Load PDU Brackets is 70 lbs

For Instructions in Local Languages
and Technical Support:

www.panduit.com/resources/install_maintain.asp

PANDUIT

www.panduit.com

E-mail:
techsupport@panduit.com

Phone:
866-405-6654