



Product designation				Auxiliary contactor
Product type designation				BG00
Contact characteristics				
Number of poles		Nr.	4	
Rated insulation voltage U_i IEC/EN		V	690	
Rated impulse withstand voltage U_{imp}		kV	6	
Operational frequency				
	min	Hz	25	
	max	Hz	400	
IEC Conventional free air thermal current I_{th}		A	10	
Protection fuse				
		gG (IEC)	A	16
Tightening torque for terminals				
	min	Nm	0.8	
	max	Nm	1	
	min	lbin	9	
	max	lbin	9	
Tightening torque for coil terminal				
	min	Nm	0.8	
	max	Nm	1	
	min	lbin	9	
	max	lbin	9	
Max number of wires simultaneously connectable		Nr.	2	
Conductor section				
AWG/Kcmil				
		max		12
Flexible w/o lug conductor section				
	min	mm ²	0.75	
	max	mm ²	2.5	
Flexible c/w lug conductor section				
	min	mm ²	1.5	
	max	mm ²	2.5	
Flexible with insulated spade lug conductor section				
	min	mm ²	1.5	
	max	mm ²	2.5	
Power terminal protection according to IEC/EN 60529				IP20 when properly wired
Mechanical features				
Operating position				
		normal allowable		Vertical plan ±30°
Fixing				Screw / DIN rail 35mm
Weight			g	179

Conductor section	AWG/kcmil conductor section		
	max	12	
Auxiliary contact characteristics			
Thermal current I _{th}	A	10	
IEC/EN 60947-5-1 designation	A600 - Q600		
Operating current AC15	230V	A	3
	400V	A	1.9
	500V	A	1.4
Operating current DC12	110V	A	2.9
Operating current DC13	24V	A	2.9
	48V	A	1.4
	60V	A	1.2
	110V	A	0.6
	125V	A	0.55
	220V	A	0.3
	600V	A	0.1
Operations			
Mechanical life	cycles	20000000	
Safety related data			
Performance level B10d according to EN/ISO 13489-1	mechanical load	cycles	20000000
Mirror contacts according to IEC/EN 60947-4-1			YES
EMC compatibility			yes
AC coil operating			
Rated AC voltage at 50/60Hz	V	110	
AC operating voltage	of 50/60Hz coil powered at 50Hz		
	pick-up		
	min	%Us	75
	max	%Us	115
	drop-out		
	min	%Us	20
	max	%Us	55
	of 50/60Hz coil powered at 60Hz		
	pick-up		
	min	%Us	80
	max	%Us	115
	drop-out		
	min	%Us	20
	max	%Us	55
AC average coil consumption at 20°C	of 50/60Hz coil powered at 50Hz		
	in-rush	VA	30
	holding	VA	4
	of 50/60Hz coil powered at 60Hz		
	in-rush	VA	25
	holding	VA	3
	of 60Hz coil powered at 60Hz		
	in-rush	VA	30

	holding	VA	4
Dissipation at holding $\leq 20^{\circ}\text{C}$ 50Hz		W	0.95

Max cycles frequency

Mechanical operation		cycles/h	3600
----------------------	--	----------	------

Operating times

Average time for U_s control
in AC

Closing NO	min	ms	12
	max	ms	21
Opening NO	min	ms	9
	max	ms	18
Closing NC	min	ms	17
	max	ms	26
Opening NC	min	ms	7
	max	ms	17

in DC

Closing NO	min	ms	18
	max	ms	25
Opening NO	min	ms	2
	max	ms	3
Closing NC	min	ms	3
	max	ms	5
Opening NC	min	ms	11
	max	ms	17

UL technical data

General USE

Contactor	AC current	A	10
-----------	------------	---	----

Contact rating of auxiliary contacts according to UL A600 - Q600

Ambient conditions

Temperature

Operating temperature	min	$^{\circ}\text{C}$	-50
	max	$^{\circ}\text{C}$	+70

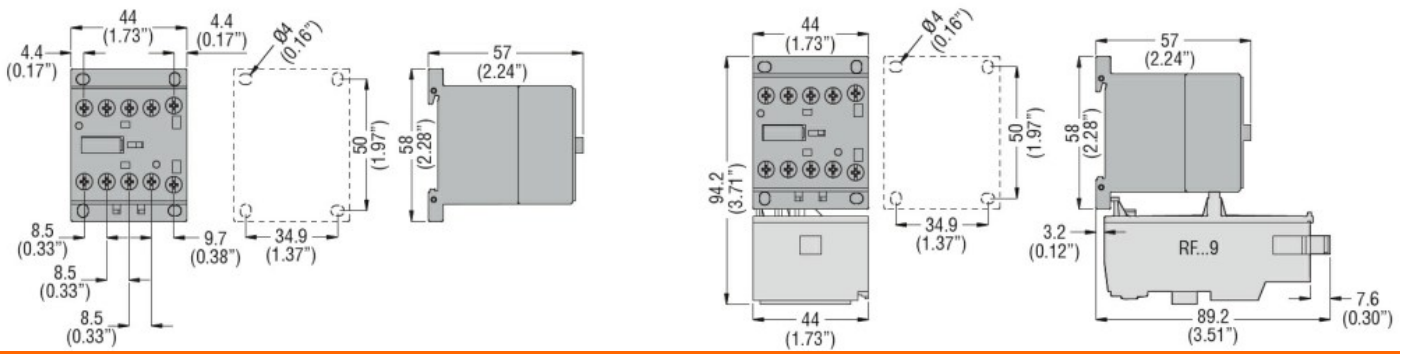
Storage temperature	min	$^{\circ}\text{C}$	-60
	max	$^{\circ}\text{C}$	+80

Max altitude m 3000

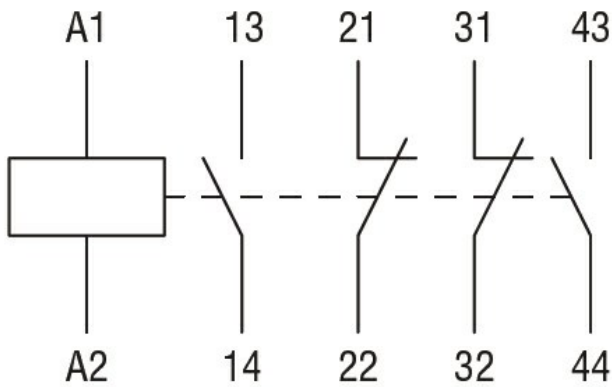
Resistance & Protection

Pollution degree 3

Dimensions



Wiring diagrams



Certifications and compliance

Compliance

- CSA C22.2 n° 60947-1
- CSA C22.2 n° 60947-5-1
- IEC/EN 60947-1
- IEC/EN 60947-5-1
- UL 60947-1
- UL 60947-5-1

Certificates

- cULus
- EAC

ETIM classification

ETIM 8.0

EC000196 -
Contactor relay