

MCO

Reference(s) : 348 517/518/533



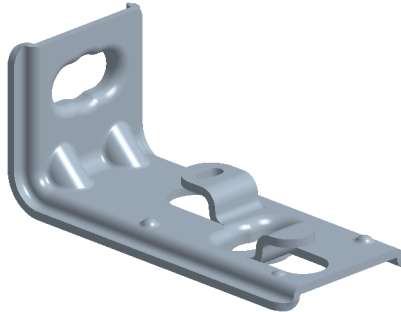
50 mm



3 m



50mm

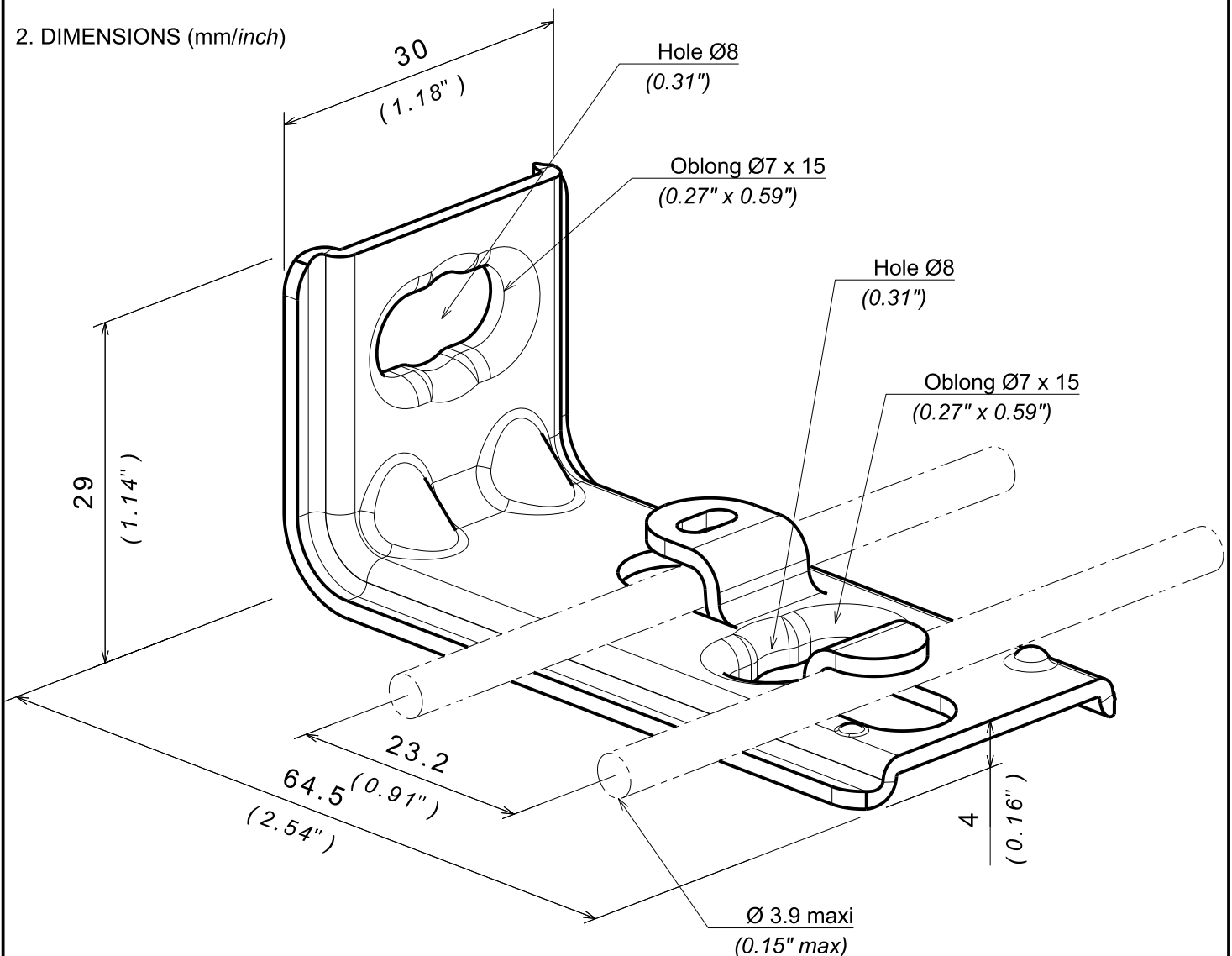


	7 DaN.m
	5 DaN.m

1. GAMME / RANGE


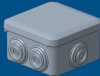

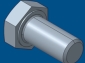



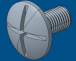

Designation	Code	Poids / Weight (Kg) (lb)		Epaisseur / Thickness (mm) (inch)		Matière / Material	Norme / Standard	Finition / Coating	Classe de résistance contre la corrosion/ Class for resistance against corrosion
MCO GS	348517	0.0322	0.070	1,5	0.059	S220GD Z275	EN 10 346	GS / PG	Class 3 / IEC 61537
MCO 304L	348518	0.0328	0.072	1,5	0.059	X2 Cr Ni 18-9	EN 10 088-2	IN304L / SS304L	Class 9C / IEC 61537
MCO ZnMg	348533	0.0322	0.070	1,5	0.059	S220GD ZM	EN 10 346	ZnMg	Class 8 / IEC 61537

2. DIMENSIONS (mm/inch)



MCO

Reference(s) : 348 517/518/533

 CF54 H50mm		BP80->105		HM 6->8		VHM 6->8
 3 m		TF 6->8		RM 6->8		TRL M6->8
 50mm						

3. INSTALLATION H50.

