



Enclosed
changeover
switch
GLZM

Product designation

Product type designation

Number of poles

Operating voltage type

Nr. 3
AC

Contact characteristics

IEC Conventional free air thermal current I_{th} A 250

Rated insulation voltage U_i IEC/EN V 1000

Rated impulse withstand voltage U_{imp} kV 12

Operating current I_e

AC21A

400V A 250
500V A 250
690V A 250

AC22A

400V A 250
500V A 250
690V A 250

AC23A

400V A 250
500V A 250
690V A 250

Power dissipation per pole max W 6.5

Rated operational power AC23A

400V kW 140
690V kW 250

Conditional short-circuit current (rms) kA 100

Short-circuit protection with fuse Class/A gG/250

Making capacity AC23A 400V A 2500

Breaking capacity AC23A 400V A 2000

Mechanical life cycles 10000

Mechanical features

Operating position

normal
allowable Vertical plan
Any

Terminals

type M8 x 25

Tightening torque for terminals

min Nm 15
max Nm 22
min lbin 132
max lbin 194

Conductor section

IEC min mm² 70

| | | |
|---------------|-----------------|-----|
| IEC max | mm ² | 185 |
| AWG/kcmil min | | 00 |
| AWG/kcmil max | | 400 |

Ambient conditions

Operating temperature

| | | |
|-----|----|-----|
| min | °C | -25 |
| max | °C | +55 |

Storage temperature

| | | |
|-----|----|-----|
| min | °C | -40 |
| max | °C | +70 |

Max altitude

| | |
|---|------|
| m | 3000 |
|---|------|

Resistance & Protection

Frontal IP degree

IP65

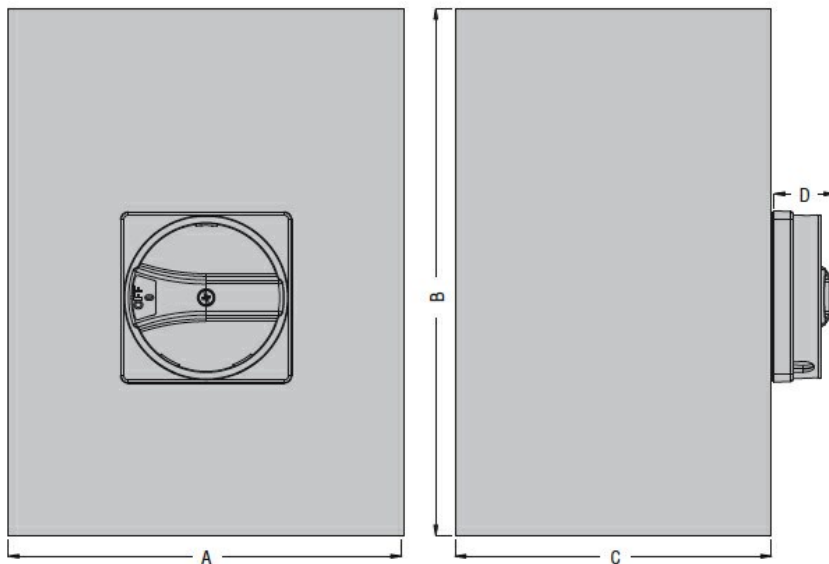
IP degree of protection

IP65

Pollution degree

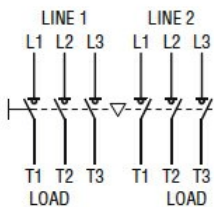
3

Dimensions



| Type | A | B | C | D |
|----------------------------|--------------|--------------|-------------|--------------|
| GLZM0160 E...GLZM0315 E... | 300 (11.81") | 400 (15.75") | 250 (9.84") | 45,7 (1.80") |

Wiring diagrams



Certifications and compliance

Compliance

IEC/EN 60947-1
IEC/EN 60947-6-1

ETIM classification

ETIM 8.0

EC000216 -
Switch
disconnecter