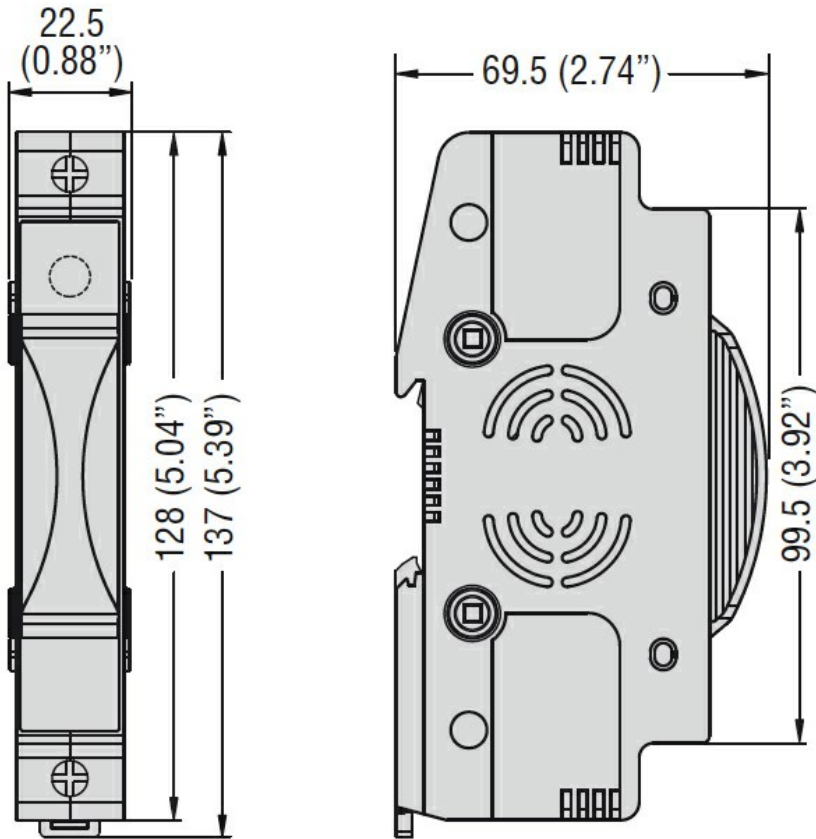




Product designation	Fuse holder		
Product type designation	FB		
Number of DIN modules	1		
Operating voltage type	DC		
Electrical features			
IEC maximum rated current (In)	A	32	
IEC maximum rated voltage (Un)	V	1500	
Suitable for IEC fuse class	gPV		
IEC Utilization category	DC20B 1500VDC		
Power dissipation Max	W	8	
Derating factor of rated current In for different ambient temperature			
	20°C	1	
	30°C	0.98	
	40°C	0.94	
	50°C	0.88	
	60°C	0.83	
	70°C	0.75	
Voltage range for status indicator	800...1500VDC		
Rated current (In)	A	32	
Ambient conditions			
Operating temperature			
	min	°C	-20
	max	°C	+70
Storage temperature			
	min	°C	-40
	max	°C	+80
Max altitude	m	3000	
Mechanical features			
Operating position	normal allowable	Vertical plan Any	
Fixing	35mm DIN rail		
Tightening torque for terminals			
	max	Nm	2.5
	max	Ibin	22
Conductor section			
	Flexible max (IEC)	mm ²	1x10
	- Flexible max (AWG/kcmil)		1x8
	Rigid max (IEC)	mm ²	1x16
	- Rigid max (AWG/kcmil)		1x6
Weight		g	110
Resistance & Protection			
Frontal IP degree	IP20		
Dimensions			



Wiring diagrams



Certifications and compliance

Compliance

IEC/EN/BS 60947-3

ETIM classification

ETIM 8.0

EC002705 -
Holder for
cylindrical fuse