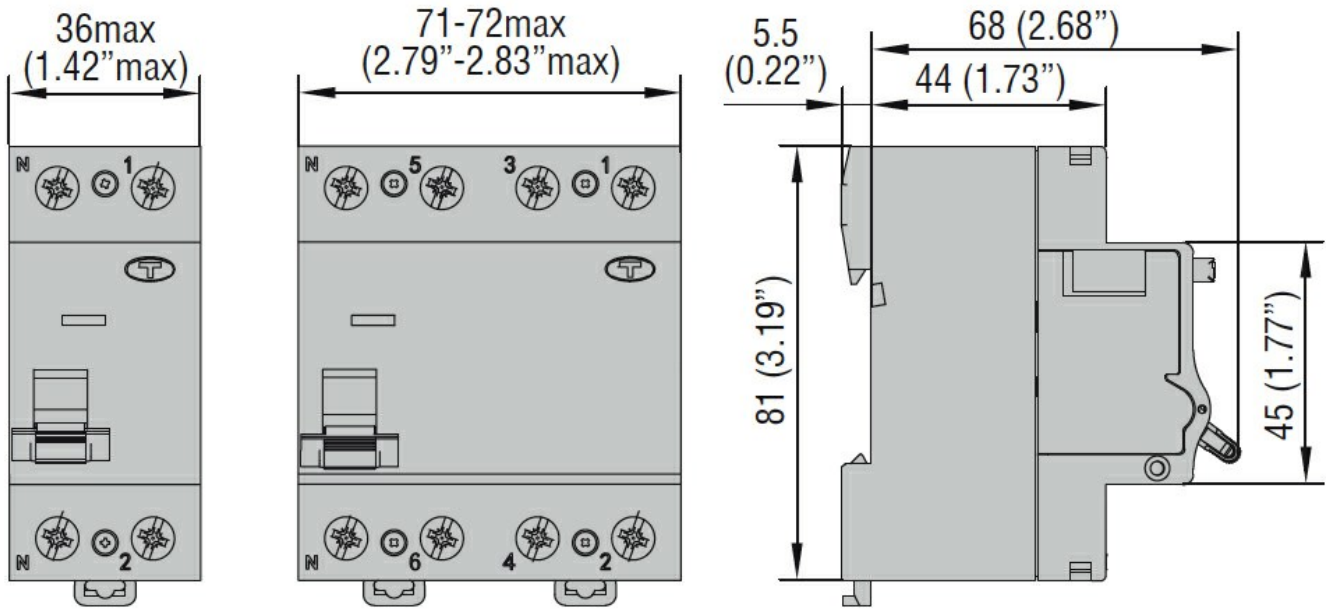
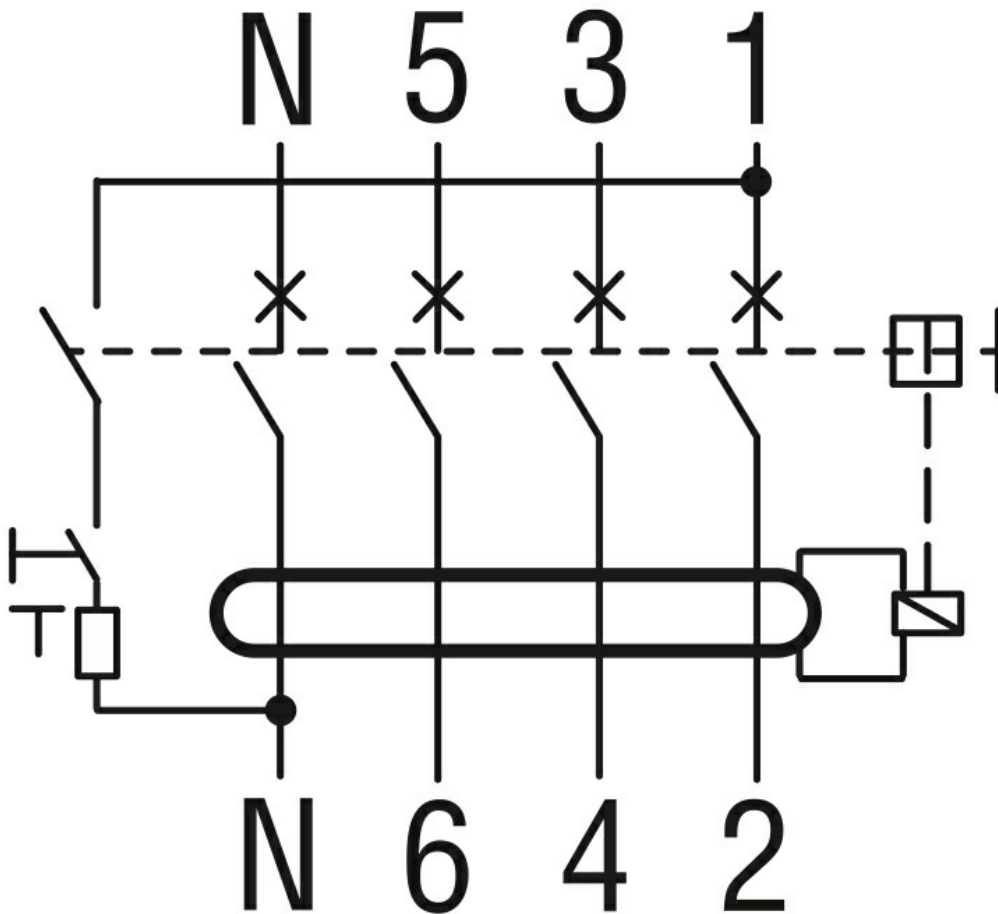




Product designation	Residual current circuit breakers (RCCB)		
Product type designation	P1RD		
Number of poles	4P		
Number of DIN modules	4		
Compliance	IEC		
<b>Electrical features</b>			
Rated insulation voltage $U_i$ IEC/EN	V	400	
Rated impulse withstand voltage $U_{imp}$	kV	4	
Rated operational voltage AC (IEC)	VAC	230/400	
Rated frequency	Hz	50/60	
Rated current ( $I_n$ )	A	25	
Residual operation characteristic		AC	
Rated residual current	mA	30	
Short circuit rating (IEC)	kA	10	
Electrical life	cycles	10000	
<b>Ambient conditions</b>			
Operating temperature	min	°C	-35
	max	°C	+70
Storage temperature	min	°C	-40
	max	°C	+80
Max altitude	m	2000	
<b>Mechanical features</b>			
Operating position	normal		Vertical plan
			35mm DIN rail
Fixing	35mm DIN rail		
Tightening torque for terminals	max	Nm	2
	max	lbin	15
Terminals tool	Pz 2		
Conductor section	IEC		
	min	mm <sup>2</sup>	2.5
	max	mm <sup>2</sup>	35
	AWG/Kcmil		
	min	14	
	max	2	
Mechanical life	cycles	20000	
Weight	g	326	
Frontal IP degree	IP20		
Pollution degree	2		
<b>Dimensions</b>			



Wiring diagrams



Certifications and compliance

Compliance

IEC/EN/BS 61008-1

---

Certifications

EAC  
TÜV-SUD

---

ETIM classification

ETIM 8.0

EC000003 -  
Residual current  
circuit breaker  
(RCCB)