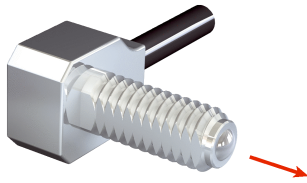


# LL3-TR095000

LL3

FIBERS

**SICK**  
Sensor Intelligence.



### Ordering information

Type	Part no.
LL3-TR095000	5336564

Other models and accessories → [www.sick.com/LL3](http://www.sick.com/LL3)

### Detailed technical data

#### Features

<b>Device type</b>	Fibers
<b>Functional principle</b>	Through-beam system
<b>Functional principle detail</b>	Consisting of a sender and a receiver
<b>For fiber-optic sensor</b>	GLL170(T), WLL180, WLL24 Ex
<b>Fiber length</b>	5,000 mm
<b>Fiber material</b>	Polymethylmethacrylat (PMMA)
<b>Jacket material</b>	Polyethylen (PE)
<b>Fiber head material</b>	Zinc with nickel coating
<b>Outer diameter, fiber-optic cable connection</b>	2.2 mm
<b>Fiber-optic cable cuttable</b>	✓
<b>Thread diameter (housing)</b>	M4
<b>Fiber-optic head design</b>	Threaded sleeve, 90° deflection
<b>Fiber arrangement</b>	Multi-fiber – fiber bundle
<b>Core structure</b>	151 x Ø 0,075 mm Multi-fiber – fiber bundle
<b>Angle of dispersion &lt; 60°</b>	Yes
<b>Compatibility with infrared light (1,450 nm)</b>	No
<b>Application</b>	Lcd / clear material / semiconductor, high flexible (static)
<b>Highly flexible/elastic fibers (bend radius 1–4 mm)</b>	Yes
<b>Adapter end sleeves required</b>	No
<b>Angle of dispersion</b>	16°
<b>Integrated lens</b>	Yes
<b>Minimal object diameter</b>	0.04 mm <sup>1)</sup>
<b>Included with delivery</b>	Mounting, 2 x M4 hexagon nut, 2 x washer, FC fiber cutter (5304141)
<b>Compatibility tip adapters</b>	No

<sup>1)</sup> Minimum detectable object was determined at optimum measuring distance and optimum setting.

#### Mechanics/electronics

<b>Bend radius, fibre-optic cable</b>	1 mm
<b>Ambient operating temperature</b>	-40 °C ... +60 °C

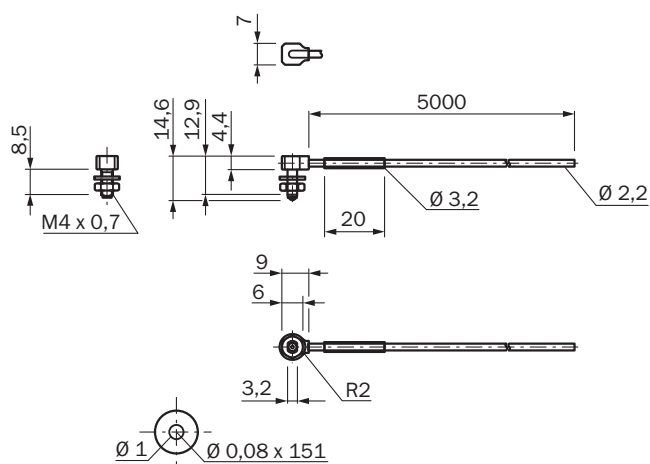
## Classifications

<b>ECLASS 5.0</b>	27270905
<b>ECLASS 5.1.4</b>	27270905
<b>ECLASS 6.0</b>	27270905
<b>ECLASS 6.2</b>	27270905
<b>ECLASS 7.0</b>	27270905
<b>ECLASS 8.0</b>	27270905
<b>ECLASS 8.1</b>	27270905
<b>ECLASS 9.0</b>	27270905
<b>ECLASS 10.0</b>	27270905
<b>ECLASS 11.0</b>	27270905
<b>ECLASS 12.0</b>	27270905
<b>ETIM 5.0</b>	EC002651
<b>ETIM 6.0</b>	EC002651
<b>ETIM 7.0</b>	EC002651
<b>ETIM 8.0</b>	EC002651
<b>UNSPSC 16.0901</b>	39121528

## Sensing ranges with WLL180T

<b>Operating mode 16 <math>\mu</math>s</b>	360 mm
<b>Operating mode 70 <math>\mu</math>s</b>	1,200 mm
<b>Operating mode 250 <math>\mu</math>s</b>	2,200 mm
<b>Operating mode 2 ms</b>	4,000 mm
<b>Operating mode 8 ms</b>	4,000 mm
<b>Note</b>	Sensing ranges related to fiber-optic sensors with type of light: visible red light

## Dimensional drawing (Dimensions in mm (inch))



## SICK AT A GLANCE

SICK is one of the leading manufacturers of intelligent sensors and sensor solutions for industrial applications. A unique range of products and services creates the perfect basis for controlling processes securely and efficiently, protecting individuals from accidents and preventing damage to the environment.

We have extensive experience in a wide range of industries and understand their processes and requirements. With intelligent sensors, we can deliver exactly what our customers need. In application centers in Europe, Asia and North America, system solutions are tested and optimized in accordance with customer specifications. All this makes us a reliable supplier and development partner.

Comprehensive services complete our offering: SICK LifeTime Services provide support throughout the machine life cycle and ensure safety and productivity.

For us, that is “Sensor Intelligence.”

## WORLDWIDE PRESENCE:

Contacts and other locations –[www.sick.com](http://www.sick.com)