

Part number

CKAX 03 VGS



Hood, CKA series, with 1 lever, Pg11 top cable entry, size "21.21"

Product description

Product type	Hood
Series	CKA
Closing type	With 1 lever
Size	Size "21.21"
Cable entry	Top cable entry Pg11

Technical data

IP degree of protection IP44 - IP66 / IP67 / IP69 with CKR 65 (D)

Further technical details

Weight	68,40 g
Operating temperature range (min, max)	-40°C...+125°C

Material properties

Main material	Zinc die-cast
Other materials	Lever: Stainless steel
Colour	RAL 7040 grey
RoHs conformity	Compliant
China RoHs - EFUP	E
REACH SVHC substances	No

Approvals / Standards

UL	ECBT2
cUL	ECBT8

General ordering information

EAN13 code 8015747027618

Packaging Information

Packaging length	330,00 mm
Packaging height	230,00 mm
Packaging width	205,00 mm
Packaging weight	7,52 kg
Packaging volume	15,56 dm ³
Packaging description	Carton box
Packaging quantity	100 Pcs
Packaging EAN code	8015747258852
Sub-packaging length	185,00 mm
Sub-packaging height	40,00 mm
Sub-packaging width	155,00 mm
Sub-packaging weight	0,75 kg
Sub-packaging volume	1,15 dm ³
Sub-packaging description	Carton box
Sub-packaging quantity	10 Pcs
Sub-packaging EAN barcode	8015747027625

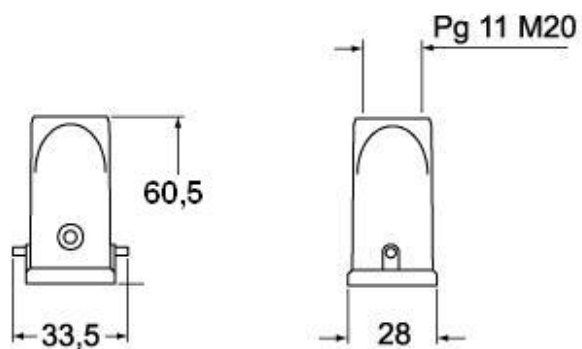
Part number

CKAX 03 VGS

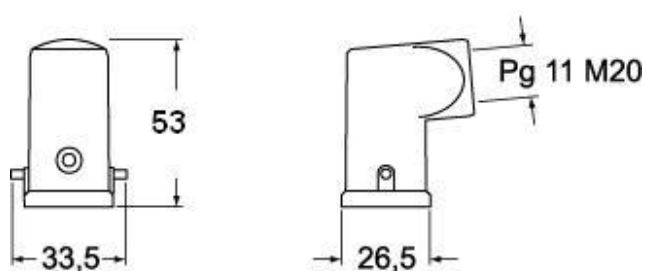


Catalogue drawings

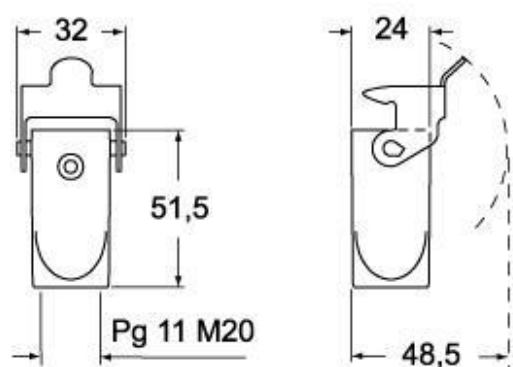
CKA VS - MKA V



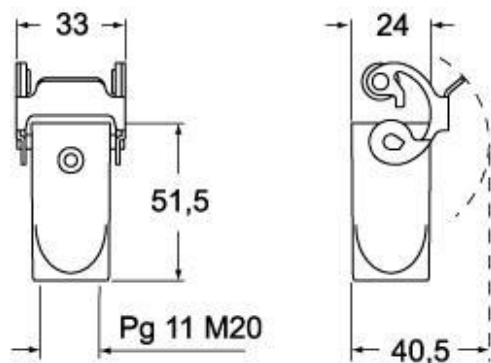
CKA VAS - MKA VA



CKA VAS - MKA VA



CKAX VGS - MKAX VG



Notes

Dimensions shown in mm are not binding and may be changed without notice.
