



Product designation

Rotary cam switches

Product type designation

7GN12

General characteristics

Switching diagram

92 - ON/OFF switch 4 poles

N° of elements

2

Mounting form

O48 - Modular service cover for 35mm din rail mounting with black handle

Contact characteristics

Rated insulation voltage U_i

IEC/EN	V	690
UL/CSA	V	600

Rated impulse withstand voltage U_{imp}

kV 6

Conventional free air thermal current I_{th}

IEC/EN	A	16
UL/CSA	A	15

Rated operational voltage

V 480

Rated operational impulse voltage

kV 4

Maximum fuse size for short-circuit protection I_n (gG)

10kA	A	16
15kA	A	10
25kA	A	10

Rated short time current I_{cw}

1s A 200

Conductivity

10/5 mA/V

Operational current I_e IEC/EN

AC1/AC21A

A 16

AC15

110V	A	10
220/230V	A	8
380/400V	A	4
660/690V	A	1.5

Rated operational power in AC

Three-phase AC-3

220/230V	kW	2.5
380/440V	kW	4
500/690V	kW	5.5

Single-phase AC-3

110V	kW	0.8
220/230V	kW	1.5
380/440V	kW	2.2

Three-phase AC23A			
	220/230V	kW	3
	380/440V	kW	5.5
	500/690V	kW	7.5
Single-phase AC23A			
	110V	kW	0.8
	220/230V	kW	1.7
	380/440V	kW	3
Rated operational current in DC			
DC21A			
	48V	A	12
	60V	A	12
	110V	A	4
	220V	A	0.6
	440V	A	0.25
DC23A (poles in series)			
	24V	A	10 (1)
	48V	A	10 (2)
	60V	A	10 (3)
	110V	A	5 (3)
	220V	A	5 (4)
DC13			
	24V	A	12
	48V	A	10
	60V	A	8
	110V	A	1
	220V	A	0.4
	440V	A	0.15
Power dissipation		W	0.8
Mechanical features			
Terminals screw			M3
Tightening torque for terminals max		Nm	0.5
Conductor size			
AWG - Rigid cable			
	min	AWG	20
	Max	AWG	12
AWG - Flexible cable			
	min	AWG	20
	Max	AWG	14
Conductor size (IEC) - Flexible cable			
	min	mm ²	0.5
	Max	mm ²	2.5
Conductor size (IEC) - Rigid cable			
	min	mm ²	0.5
	Max	mm ²	2.5
Mechanical life		cycles	3x10 ⁶
UL technical data			
Motor power for direct-on-line control			
for three-phase motor			
	120V	HP	1.5
	240V	HP	3
for single-phase motor			
	120V	HP	0.5
	240V	HP	1

Ambient conditions

Temperature

Operating temperature

min	°C	-25
max	°C	+55

Storage temperature

min	°C	-40
max	°C	+70

Resistance & Protection

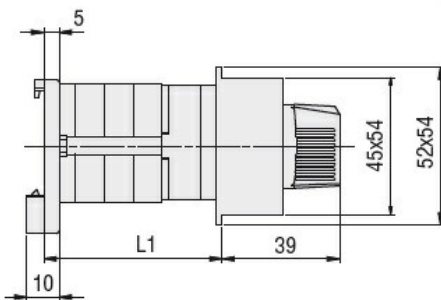
Frontal IP degree

IP40

Terminals IP degree

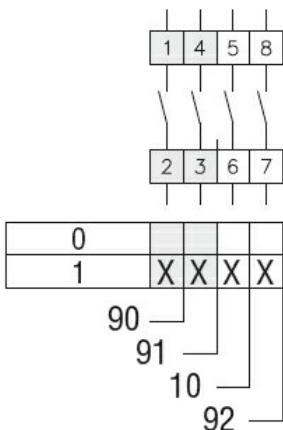
IP00

Dimensions



Series	L1		
	1	2	3
7GN12	38.1	47.8	57.5
7GN20	38.1	47.8	57.5
7GN25	42.5	56.1	69.7

Wiring diagrams



Certifications and compliance

Compliance

- CSA C22.2 n° 14
- IEC/EN/BS 60947-1
- IEC/EN/BS 60947-3
- IEC/EN/BS 60947-5-1
- UL60947-4-1

Certificates

- cCSAus
- EAC

UL

ETIM classification

ETIM 8.0

EC001029 -
Selector switch,
complete