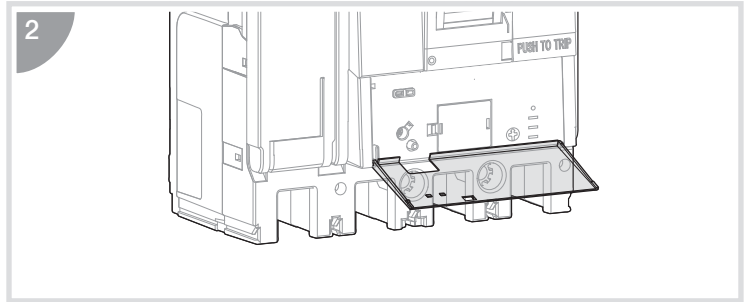
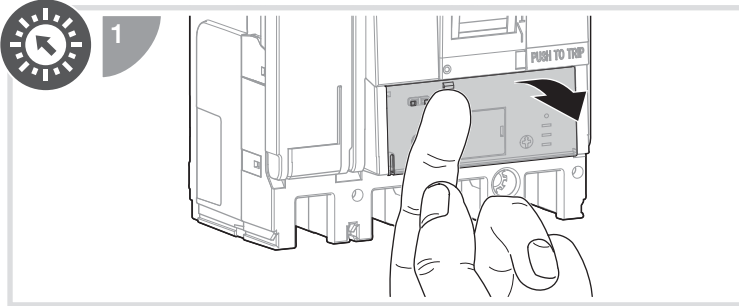


<http://hgr.io/r/hhw401na>

TRIP UNIT Energy AB



$> I_r$	$< 105\% I_r$	$\geq 105\% I_r$ $I > 112\% I_r$
PTA	PTA OFF	PTA ON PTA ON PTA OUT ON
Ready	OFF	ON

:hager

220	240	260	280	300	320	340	360	380	400
I_r (A)	250	250	300	300	300	350	350	370	400

